



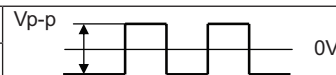
MODEL: CPT-1404-85T | **DESCRIPTION:** PIEZO BUZZER TRANSDUCER

FEATURES

- low profile
- wave solder
- through hole



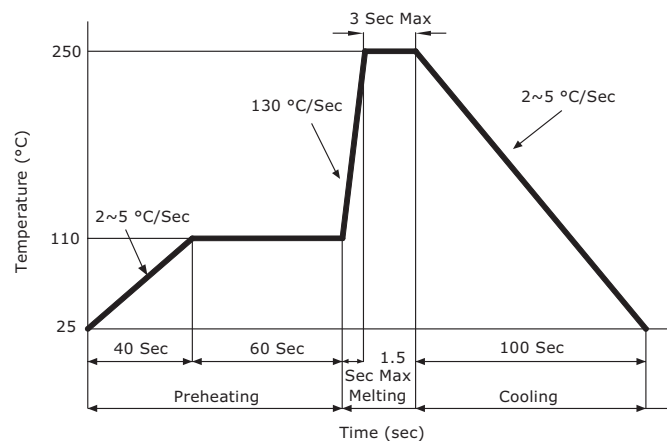
SPECIFICATIONS

parameter	conditions/description	min	typ	max	units
rated voltage	 Vp-p		10		Vp-p
operating voltage		1		30	Vp-p
current consumption	at rated voltage, 4,000 Hz, ½ duty square wave			10	mA
rated frequency			4,000		Hz
sound pressure level	at 10 cm, rated voltage, 4,000 Hz, ½ duty square wave	85			dB
electrostatic capacitance	at 100 Hz/1 V	11,200	16,000	20,800	pF
dimensions	Ø14.0 x 4.0				mm
weight				0.7	g
material	PBT				
terminal	pin [tin plating]				
operating temperature		-30		85	°C
storage temperature		-40		95	°C
RoHS	yes				

Notes: 1. All specifications measured at 5-35°C, humidity at 45-85%, under 86-106 kPa pressure, unless otherwise noted.

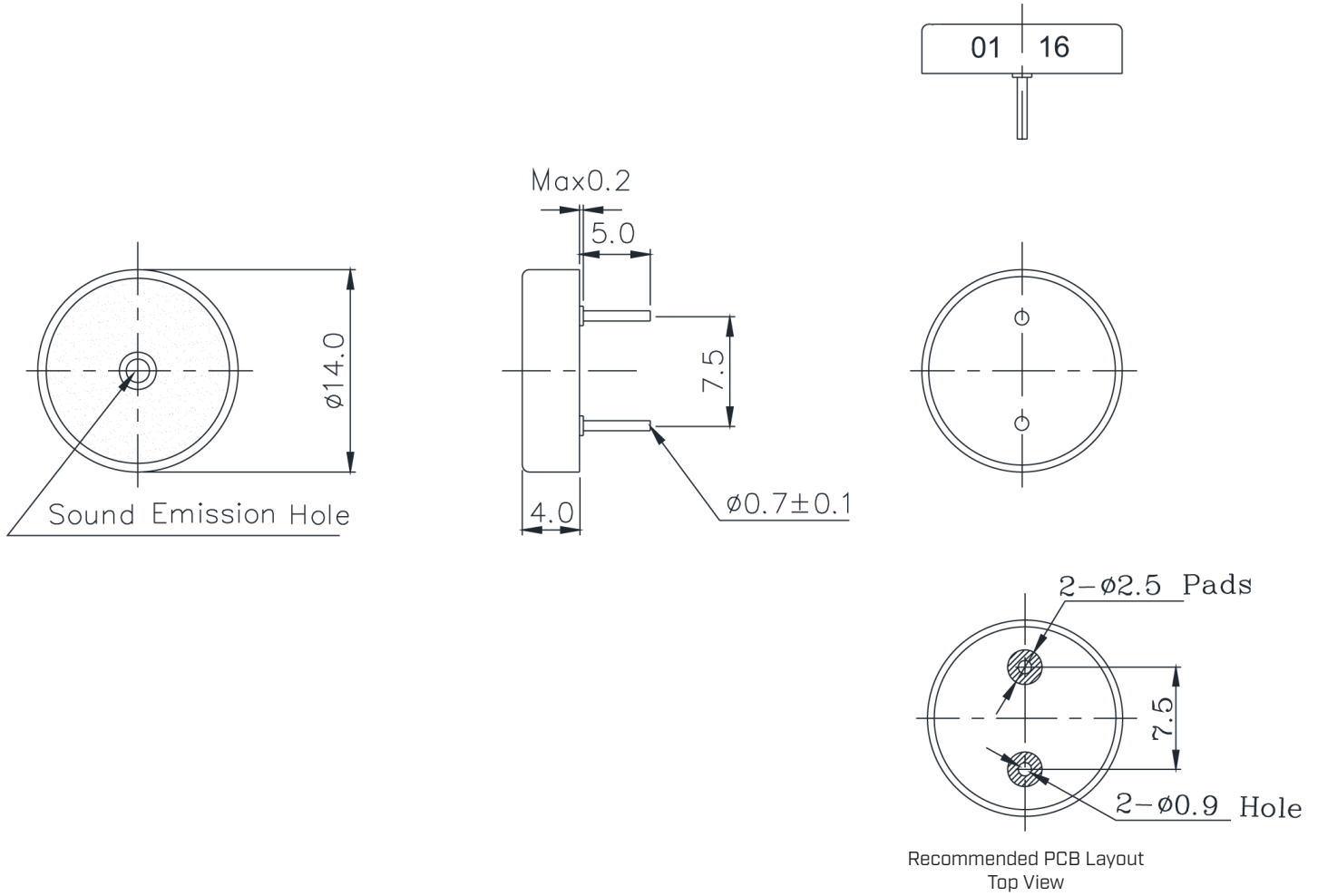
SOLDERABILITY

parameter	conditions/description	min	typ	max	units
wave soldering	see recommended wave soldering profile			250	°C

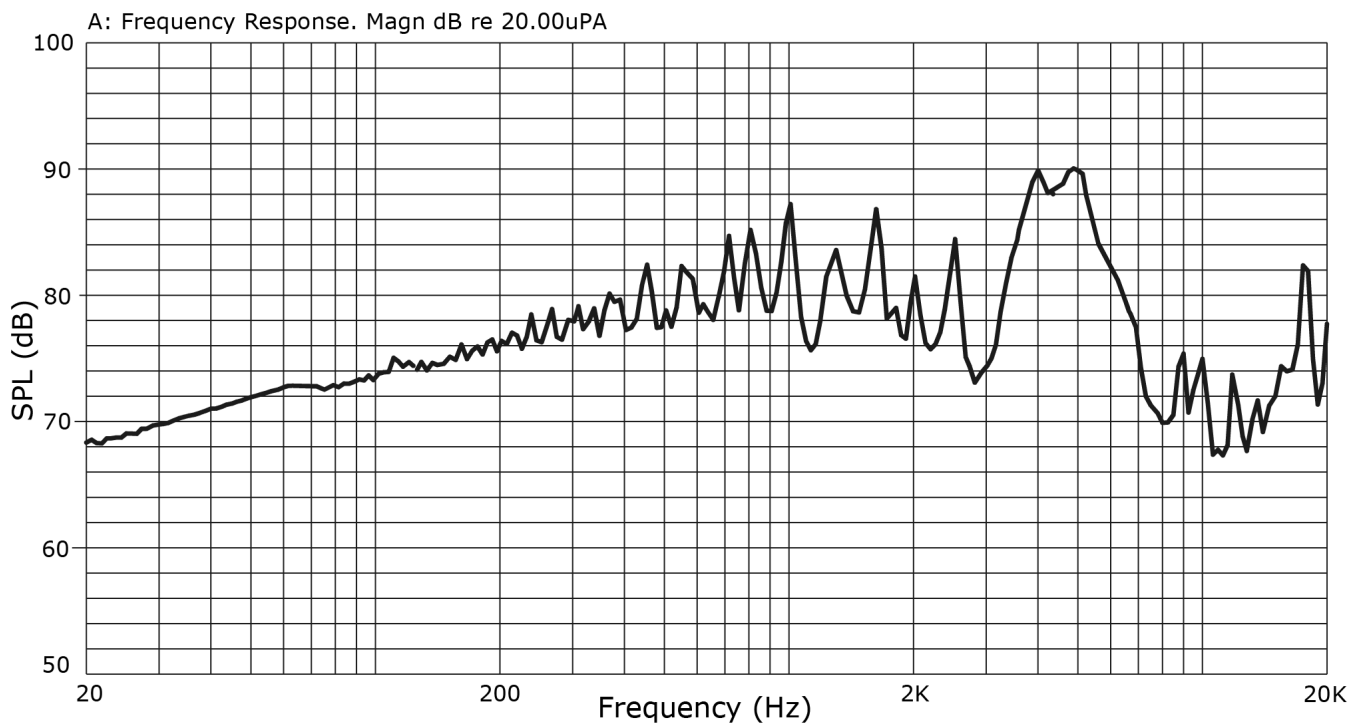


MECHANICAL DRAWING

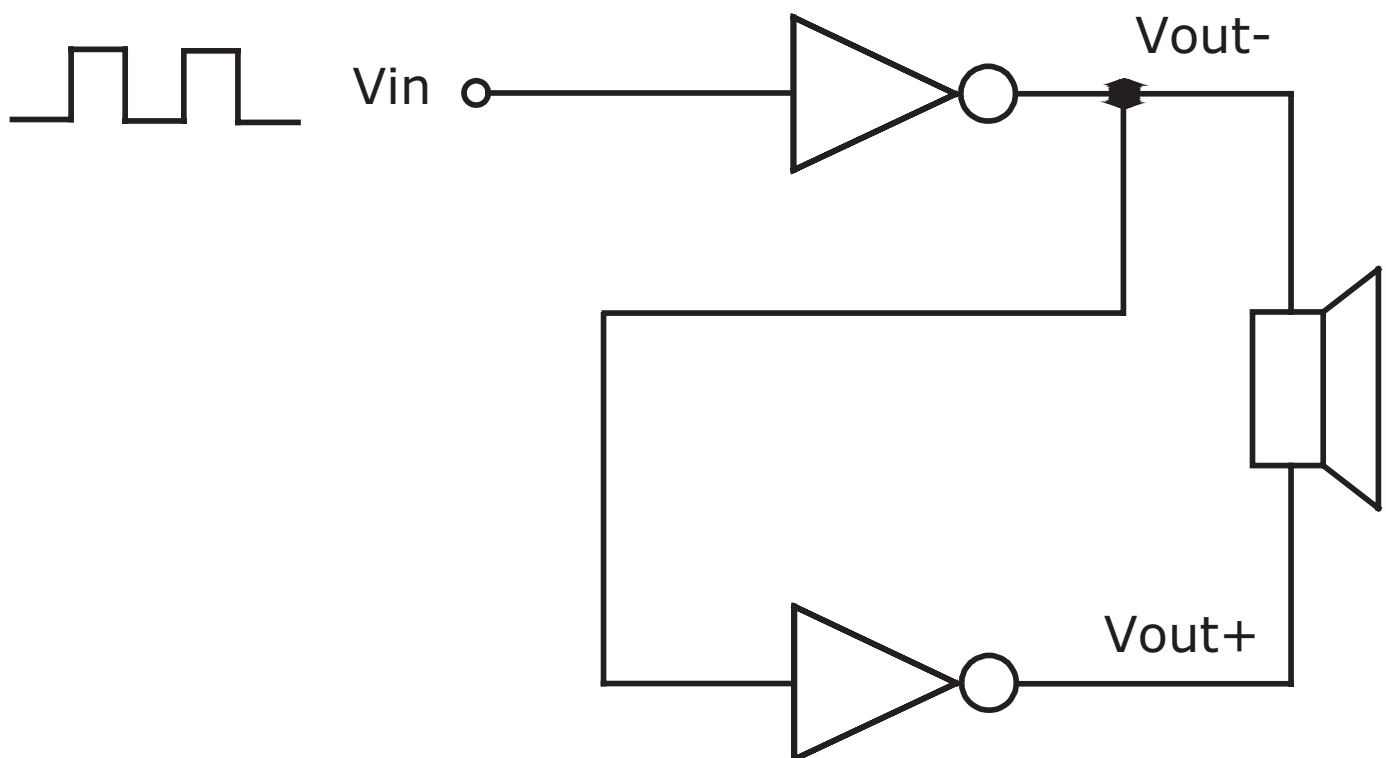
units: mm
tolerance: ± 0.5 mm



FREQUENCY RESPONSE CURVE



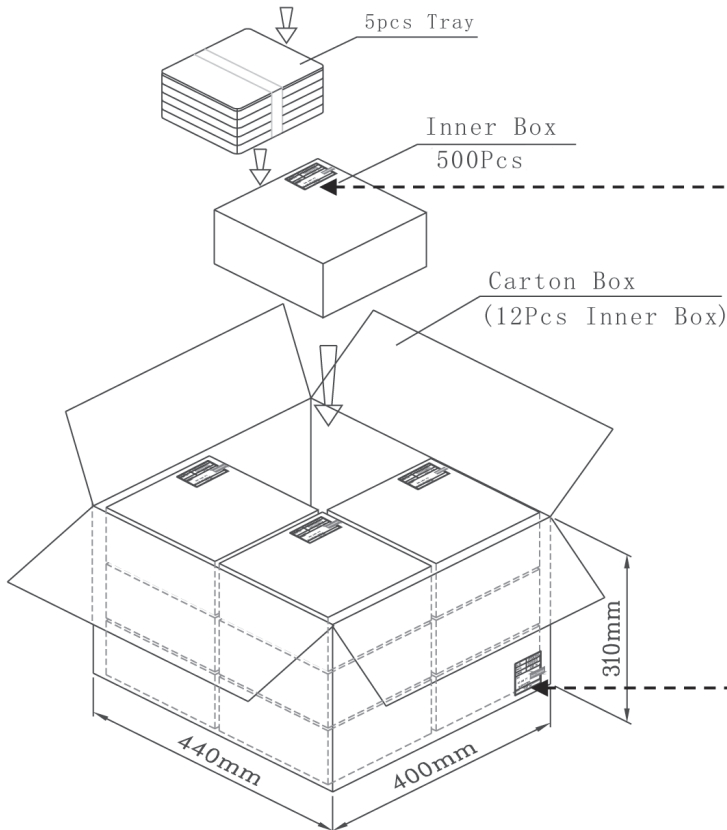
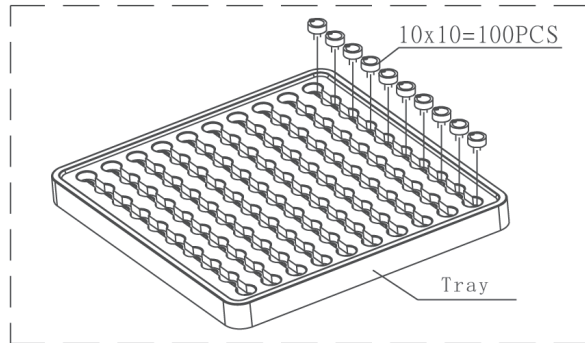
APPLICATION CIRCUIT



PACKAGING

units: mm

Carton Size: 440 x 400 x 310 mm
 Carton QTY: 6,000 pcs per carton



Lot No.	XXXXXXXXXX
Part No.	XXXXXXXXXX XXXXXXXXXX
Quantity	XXXX Pcs
Date:	DD MM YY
MADE IN CHINA	

RoHs Compliant

REVISION HISTORY

rev.	description	date
1.0	initial release	12/10/2019
1.01	logo, datasheet style update	08/05/2022
1.02	CUI Devices rebranded to Same Sky	09/11/2024

The revision history provided is for informational purposes only and is believed to be accurate.



Same Sky offers a one (1) year limited warranty. Complete warranty information is listed on our website.

Same Sky reserves the right to make changes to the product at any time without notice. Information provided by Same Sky is believed to be accurate and reliable. However, no responsibility is assumed by Same Sky for its use, nor for any infringements of patents or other rights of third parties which may result from its use.

Same Sky products are not authorized or warranted for use as critical components in equipment that requires an extremely high level of reliability. A critical component is any component of a life support device or system whose failure to perform can be reasonably expected to cause the failure of the life support device or system, or to affect its safety or effectiveness.

[sameskydevices.com](https://www.sameskydevices.com)