

MODEL: TS43-135255-10-BK-200-SMT-TR | **DESCRIPTION:** TACTILE SWITCH

FEATURES

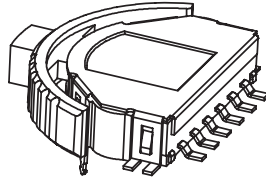
- multi-position
- surface mount
- white actuator
- black actuator
- 160 & 260 gf


SPECIFICATIONS

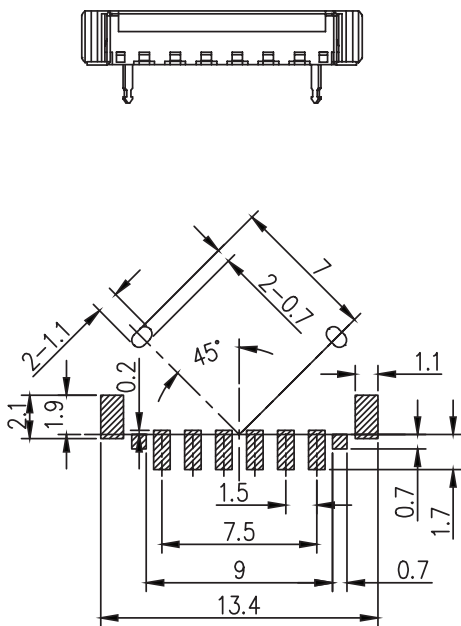
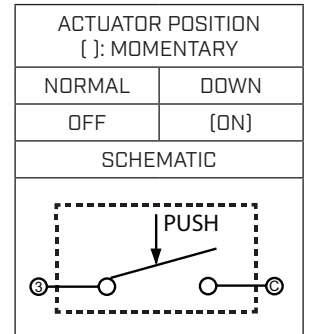
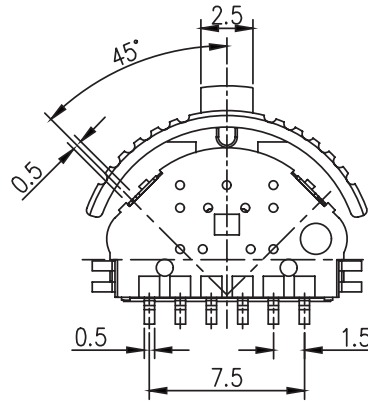
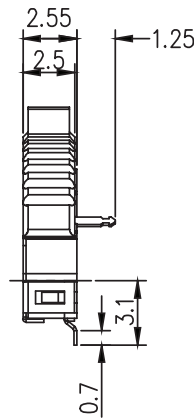
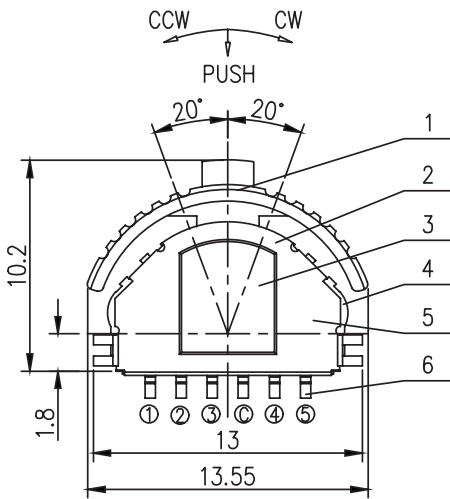
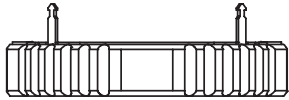
parameter	conditions/description	min	typ	max	units
rated voltage				15	Vdc
rated current				100	mA
withstanding voltage	for 1 minute		100		Vac
contact resistance	lever and push switch			100	mΩ
insulation resistance	at 100 Vdc for 1 minute	100			MΩ
operating force	lever switch	30	80	130	gf
	push switch	100	200	300	gf
actuator travel	lever switch		±20		°
	push switch			0.95	mm
operating temperature		-40		85	°C
life	mechanical: no load, 15~20 cycles/minute		100,000		cycles
	electrical: 5 Vdc, 10 mA, 15~20 cycles/minute		100,000		cycles
vibration	10~55~10 Hz, 1.5 mm amplitude, 2 hours on each XYZ				
flammability rating	see material table				
RoHS	yes				

MECHANICAL DRAWING

units: mm
 tolerance:
 ≤1 ±0.05 mm
 1-5 ±0.10 mm
 5-10 ±0.20 mm
 ≥10 ±0.30 mm
 unless otherwise specified



ITEM	DESCRIPTION	MATERIAL	PLATING/COLOR
1	push button	PA46 (UL94HB)	black
2	cover	SUS	tin
3	contact	C5210	silver
4	housing	PA9T (UL94V-0)	black
5	spring	SUS	--
6	terminal	C5191	silver



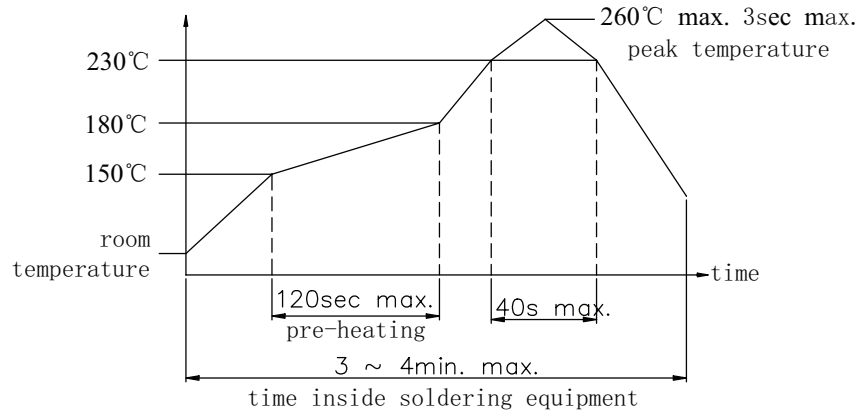
Recommended PCB Layout
Top View

ANGLE TERMINAL NO.	CCW			CW		
	20°	16°	8°	8°	16°	20°
1	■	■	■			
2	■	■				
4						■
5					■	■
C	■	■	■	■	■	■

ON POSITION ■

SOLDERABILITY

parameter	conditions/description	min	typ	max	units
hand soldering	for maximum 3 seconds			350	°C
reflow soldering	see reflow profile			260	°C

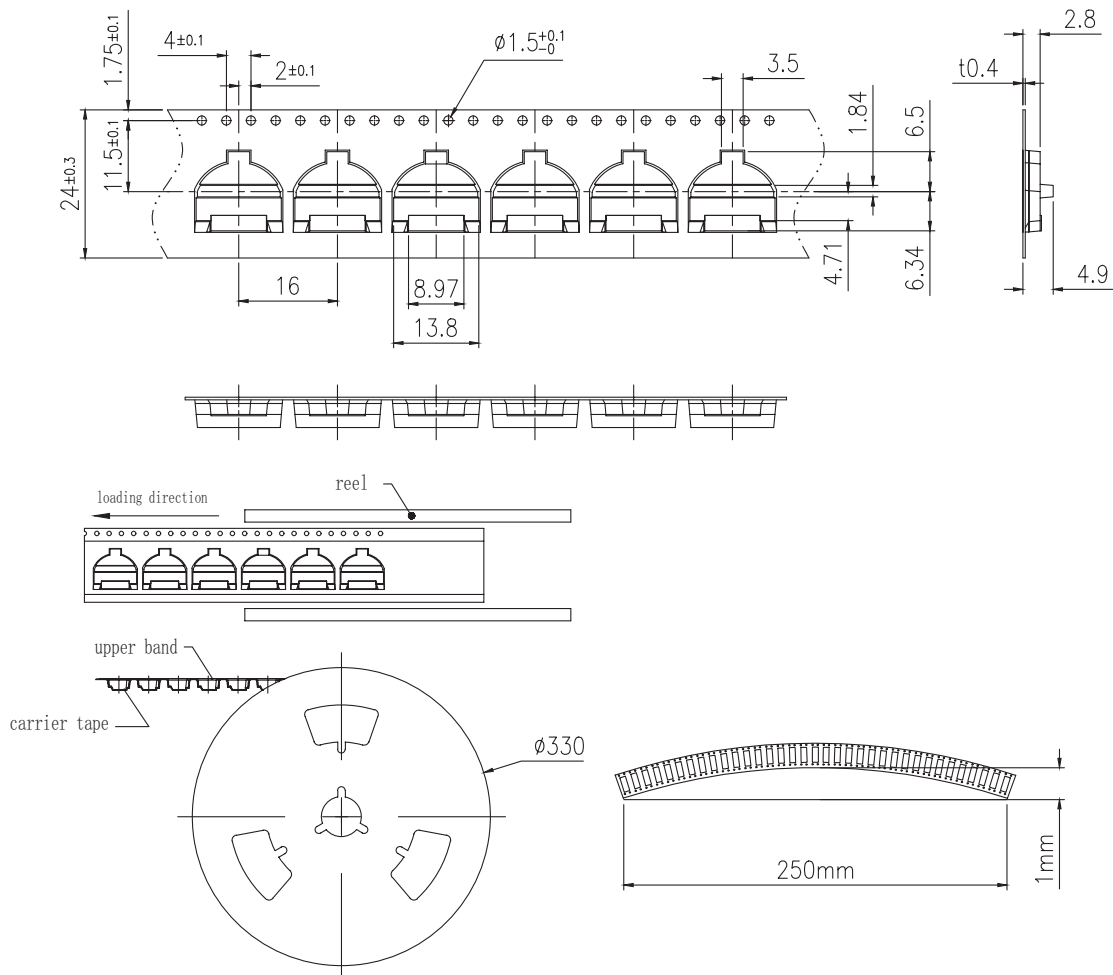


PACKAGING

units: mm

Reel Size: Ø330 mm

Reel QTY: 800 pcs per reel



REVISION HISTORY

rev.	description	date
1.0	initial release	11/20/2025

The revision history provided is for informational purposes only and is believed to be accurate.



Same Sky offers a one (1) year limited warranty. Complete warranty information is listed on our website.

Same Sky reserves the right to make changes to the product at any time without notice. Information provided by Same Sky is believed to be accurate and reliable. However, no responsibility is assumed by Same Sky for its use, nor for any infringements of patents or other rights of third parties which may result from its use.

Same Sky products are not authorized or warranted for use as critical components in equipment that requires an extremely high level of reliability. A critical component is any component of a life support device or system whose failure to perform can be reasonably expected to cause the failure of the life support device or system, or to affect its safety or effectiveness.

[sameskydevices.com](https://www.sameskydevices.com)