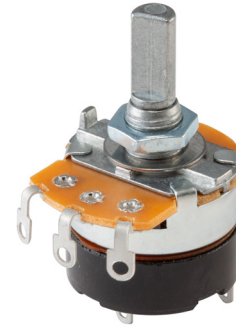


**SERIES:** PTN24B | **DESCRIPTION:** ROTARY POTENTIOMETER**FEATURES**

- carbon element
- Includes switch
- 10K lifecycle
- plastic shaft options

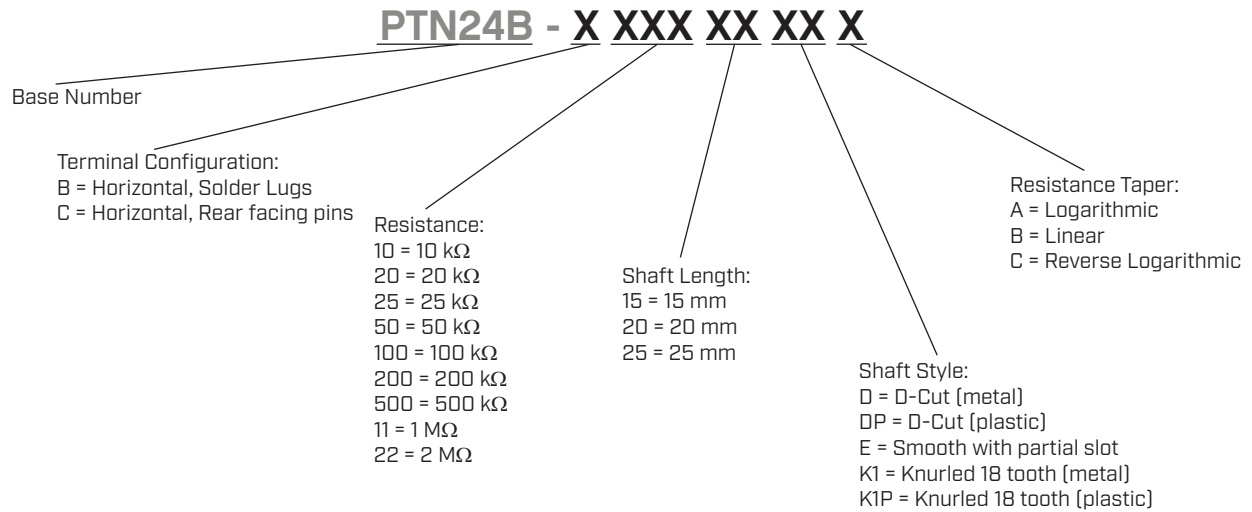
**SPECIFICATIONS**

parameter	conditions/description	min	typ	max	units
maximum operating voltage				200	Vdc
power rating	at 70°C			0.5	W
taper	linear, logarithmic, and reverse logarithmic				
standard resistance range	see Resistance Table	10		2,000	kΩ
standard resistance tolerance			±20		%
residual resistance				±1	%
sliding noise				6	mV
operating temperature		-10		75	°C
hand soldering	for 3 seconds max			260	°C
RoHS	yes				

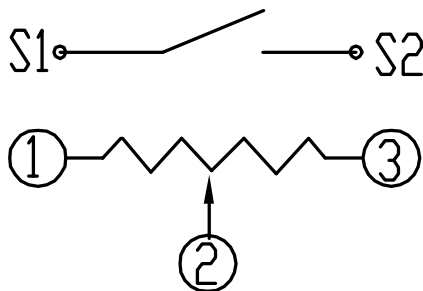
**MECHANICAL**

parameter	conditions/description	min	typ	max	units
mechanical angle		295	300	305	°
rotational torque		10		150	gf-cm
switch operating force		200		800	gf-cm
stop strength		4			kg-cm
rotational life			10,000		cycles
weight		12	15	18	g

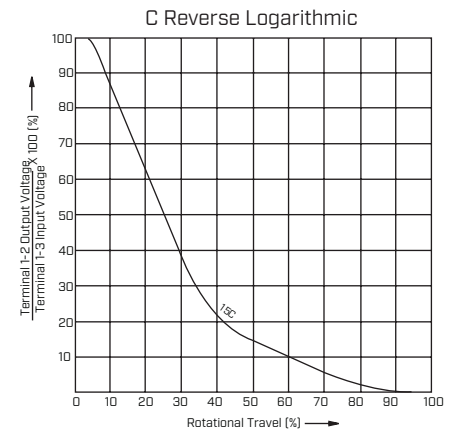
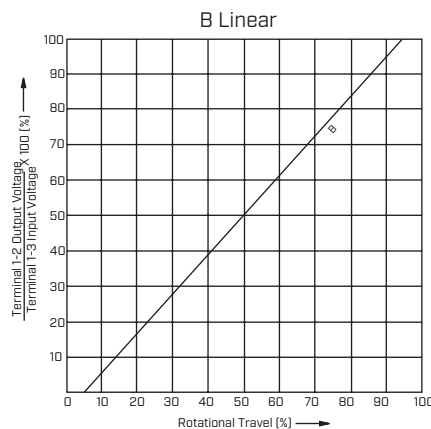
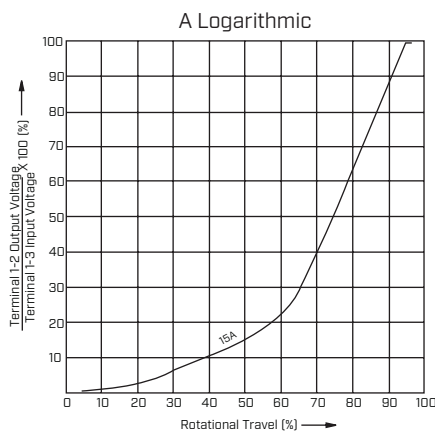
## PART NUMBER KEY



## SCHEMATIC/TAPERS



Resistance Table	
Resistance [kΩ]	Code
10	10
20	20
25	25
50	50
100	100
200	200
500	500
1,000	11
2,000	22



## SHAFT TYPES

units: mm

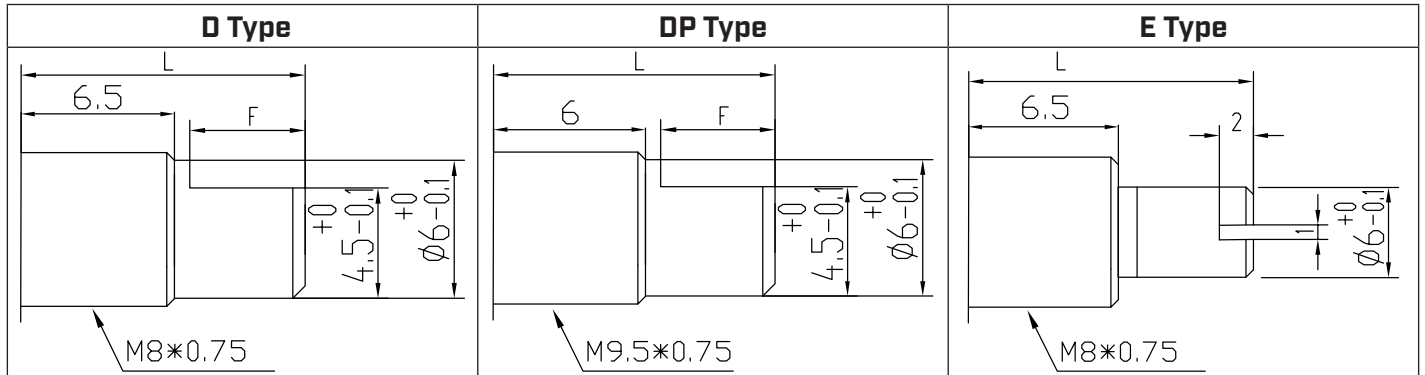
tolerance:

$X \leq 10.00$ :  $\pm 0.30$  mm

$10.00 < X \leq 30.00$ :  $\pm 0.50$  mm

$30.00 < X \leq 100.00$ :  $\pm 1.0$  mm

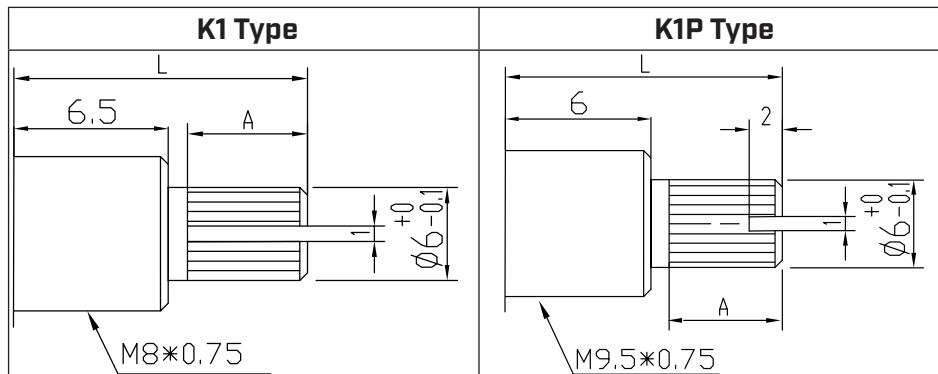
unless otherwise noted



L	15	20	25
F	7	12	12

L	15	20	25
A	7	12	12

L	15	20	25
---	----	----	----



L	15	20	25
F	7	11	17

L	15	20	25
A	7.5	12.5	17

## MECHANICAL DRAWING (B TERMINAL CONFIGURATION)

units: mm

tolerance:

$X \leq 10.00$ :  $\pm 0.30$  mm

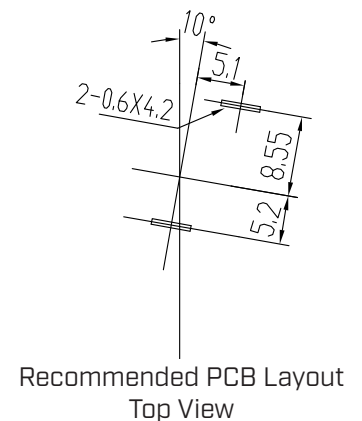
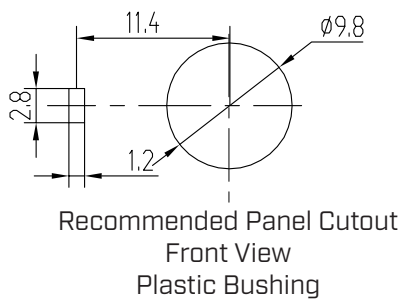
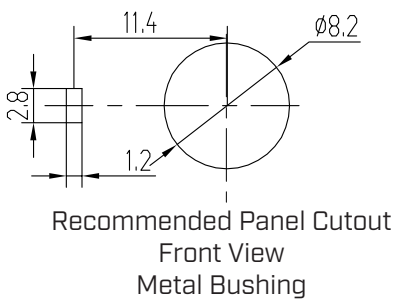
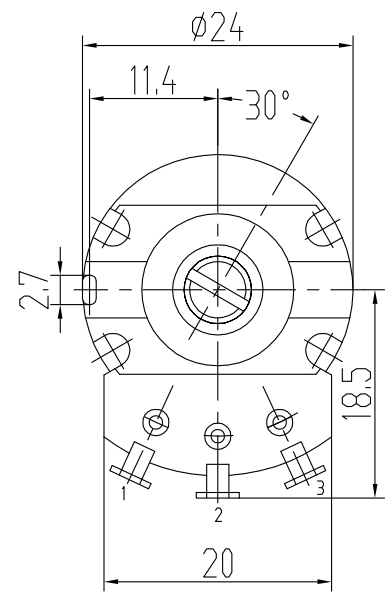
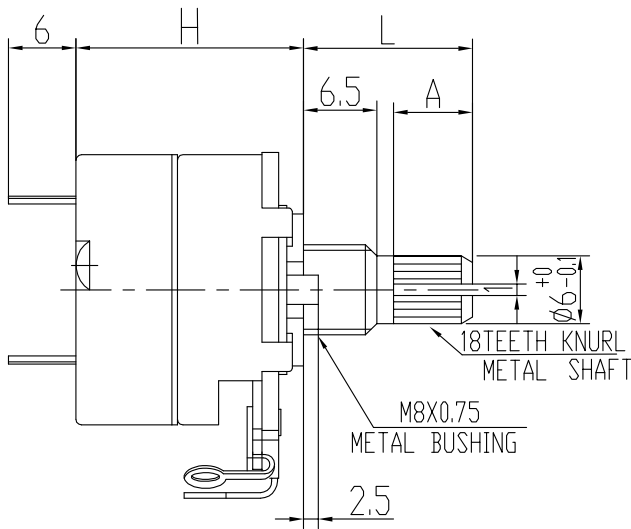
$10.00 < X \leq 30.00$ :  $\pm 0.50$  mm

$30.00 < X \leq 100.00$ :  $\pm 1.0$  mm

unless otherwise noted

HOUSING LENGTH, H [mm]	
Plastic Shaft/Bushing Models	20.2
Metal Shaft/Bushing Models	19.2

DESCRIPTION	MATERIAL	PLATING/COLOR
housing	cold rolled steel	
terminals	cold rolled steel	
bushing	zinc alloy or POM	
plastic shaft models	POM	black
metal shaft models (smooth shaft models & 25 mm D-cut model)	aluminum	
metal shaft models (all other versions)	zinc alloy	
switch base	H161 PF	black

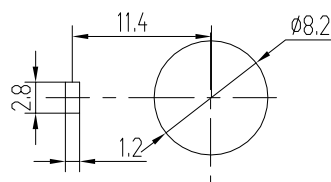
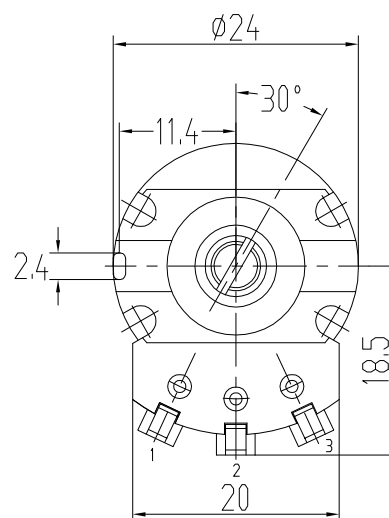
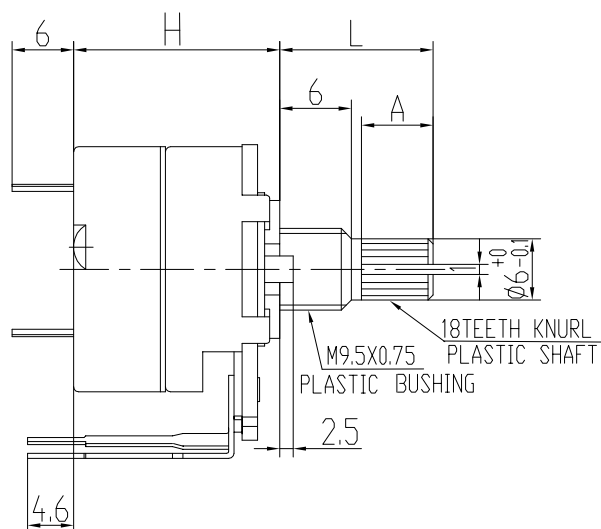


## MECHANICAL DRAWING (C TERMINAL CONFIGURATION)

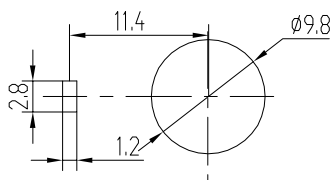
units: mm  
 tolerance:  
 $X \leq 10.00$ :  $\pm 0.30$  mm  
 $10.00 < X \leq 30.00$ :  $\pm 0.50$  mm  
 $30.00 < X \leq 100.00$ :  $\pm 1.0$  mm  
 unless otherwise noted

HOUSING LENGTH, H [mm]	
Plastic Shaft/Bushing Models	20.2
Metal Shaft/Bushing Models	19.2

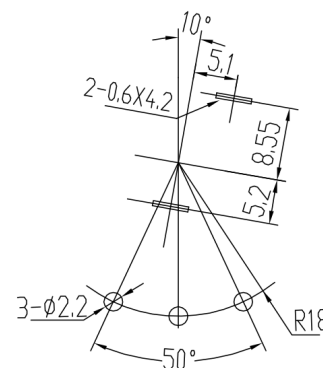
DESCRIPTION	MATERIAL	PLATING/COLOR
housing	cold rolled steel	
terminals	cold rolled steel	
bushing	zinc alloy or POM	
plastic shaft models	POM	black
metal shaft models (smooth shaft models & 25 mm D-cut model)	aluminum	
metal shaft models (all other versions)	zinc alloy	
switch base	H161 PF	black



Recommended Panel Cutout  
 Front View  
 Metal Bushing



Recommended Panel Cutout  
 Front View  
 Plastic Bushing

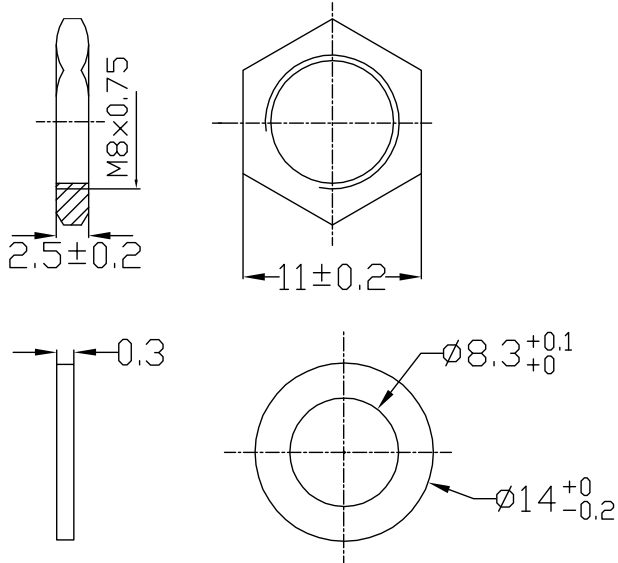


Recommended PCB Layout  
 Top View

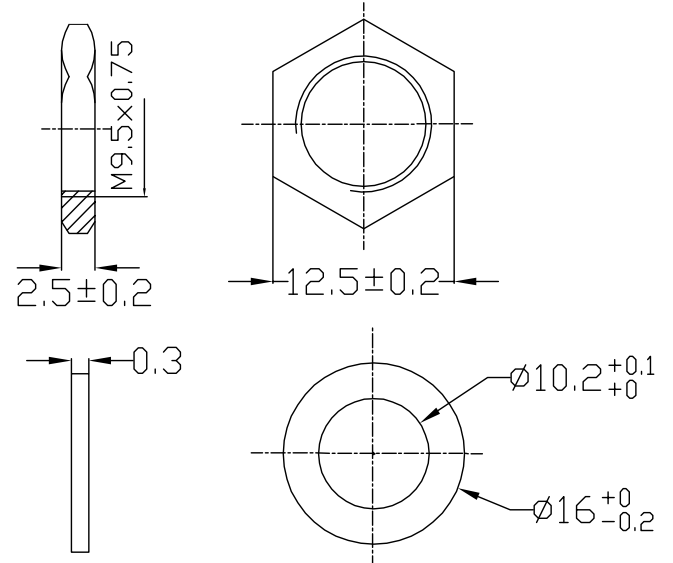
## MOUNTING HARDWARE

units: mm  
 tolerance:  
 $X \leq 10.00$ :  $\pm 0.30$  mm  
 unless otherwise noted

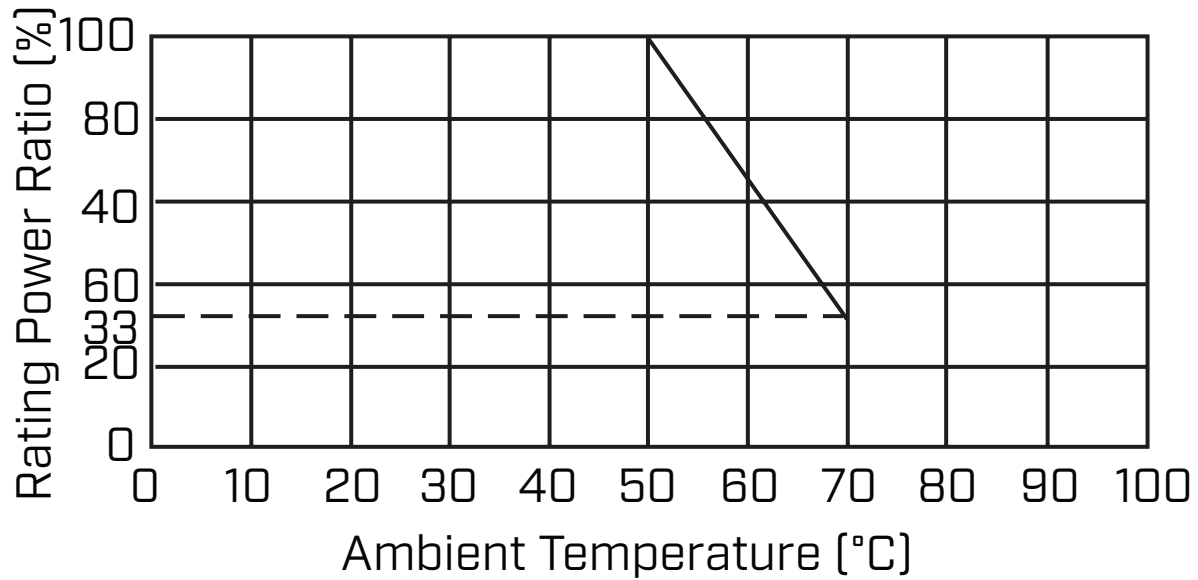
### Metal Shaft Models



### Plastic Shaft Models



## POWER DERATING CURVE



## REVISION HISTORY

rev.	description	date
1.0	initial release	12/06/2023
1.01	updated datasheet	05/07/2024
1.02	CUI Devices rebranded to Same Sky	09/12/2024

The revision history provided is for informational purposes only and is believed to be accurate.



Same Sky offers a one (1) year limited warranty. Complete warranty information is listed on our website.

Same Sky reserves the right to make changes to the product at any time without notice. Information provided by Same Sky is believed to be accurate and reliable. However, no responsibility is assumed by Same Sky for its use, nor for any infringements of patents or other rights of third parties which may result from its use.

Same Sky products are not authorized or warranted for use as critical components in equipment that requires an extremely high level of reliability. A critical component is any component of a life support device or system whose failure to perform can be reasonably expected to cause the failure of the life support device or system, or to affect its safety or effectiveness.

[sameskydevices.com](https://www.sameskydevices.com)