



SERIES: PRY6 | **DESCRIPTION:** POWER RELAY

FEATURES

- 17 A
- epoxy sealed
- class F

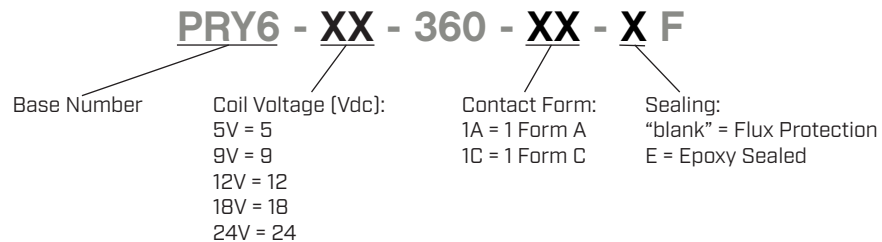


MODEL

	coil voltage	coil resistance	operating voltage	release voltage	coil power
	typ (Vdc)	(Ω±10%)	min (Vdc)	max (Vdc)	typ (W)
PRY6-5V-360	5	70	3.75	0.25	0.36
PRY6-9V-360	9	225	6.75	0.45	0.36
PRY6-12V-360	12	400	9.00	0.60	0.36
PRY6-18V-360	18	900	13.50	0.90	0.36
PRY6-24V-360	24	1600	18.00	1.20	0.36

Notes: 1. Maximum voltage is 130% of nominal voltage.
 2. Coil temperature rise 70 K max.
 3. All specifications are measured at 23±5°C, RH 25-75% unless otherwise specified.

PART NUMBER KEY



CONTACT SPECIFICATIONS

parameter	conditions/description	min	typ	max	units
contact form	1 Form A, 1 Form C				
contact material	Ag alloy				
contact rating	1 Form A 17 A @ 250 Vac 17 A @ 30 Vdc				
	1 Form C 17/12 A @ 250 Vac NO/NC				
contact temperature rise	at contact max rating			65	K
max switching voltage				277	Vac
				30	Vdc
max switching current				17	A
max switching power				4,700	VA
				476	W
life	1 Form A electrical: at 250 Vac/17 A, 1 second on, 9 seconds off mechanical: 0.1 seconds on, 0.1 seconds off	100,000 1,000,000			operations operations
	1 Form C electrical: at 250 Vac/17 A NO, 1 second on, 9 seconds off electrical: at 250 Vac/12 A NC, 1 second on, 9 seconds off mechanical: 0.1 seconds on, 0.1 seconds off	100,000			operations
		50,000			operations
		1,000,000			operations

GENERAL SPECIFICATIONS

parameter	conditions/description	min	typ	max	units
insulation resistance	at 500 Vdc	100			MΩ
dielectric strength	between open contacts for 1 minute		750		Vac
	between coil and contacts for 1 minute		2,000		Vac
coil insulation system	Class F				
operate time				10	ms
release time				5	ms
shock resistance	endurance: 3 shocks in each XYZ direction		1,000		m/s ²
	misoperation: 3 shocks in each XYZ direction		100		m/s ²
vibration resistance	endurance: 10~55 Hz, 1.5 mm double amplitude for 2 hours				
	misoperation: 10~55 Hz, 1.5 mm double amplitude for 5 minutes				
operating temperature		-40		105	°C
humidity		45		85	%RH
weight			9		g
safety approvals	UL/cUL 508				
flammability rating	UL94V-0				
RoHS	yes				
packaging	carton size: 370 x 260 x 170 mm carton QTY: 1,000 pcs per carton				

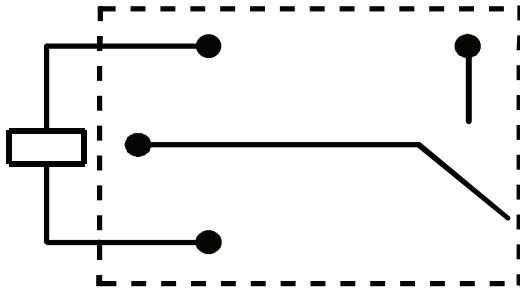
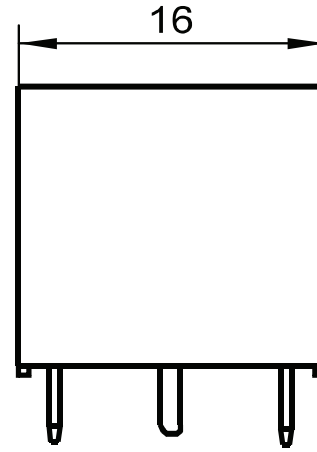
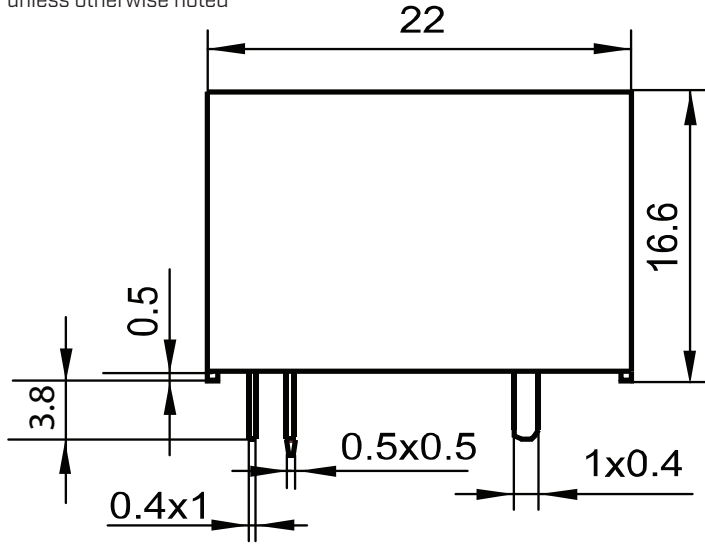
SOLDERABILITY

parameter	conditions/description	min	typ	max	units
wave soldering	for max 5 seconds	255	260	265	°C

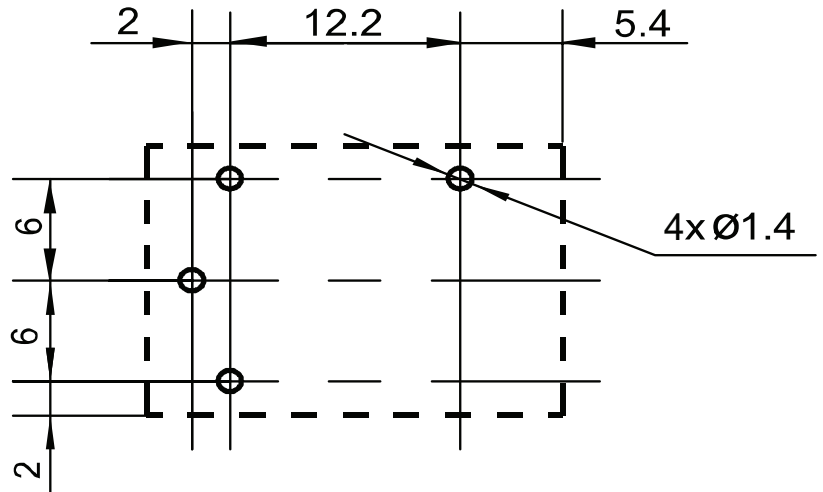
MECHANICAL DRAWING (1 FORM A)

units: mm
 tolerance:
 X≤1: ±0.20 mm
 1<X≤5: ±0.3 mm
 X>5 mm: ±0.4 mm
 PCB: ±0.10 mm
 unless otherwise noted

DESCRIPTION	MATERIAL	PLATING/COLOR
housing	PBT [UL94V-0]	black
terminals	copper alloy	tin
coil terminals	enameled wire	



Wiring Diagram
Bottom View

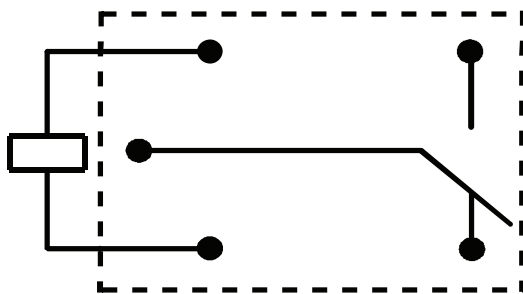
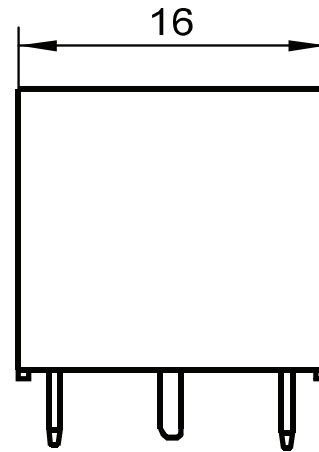
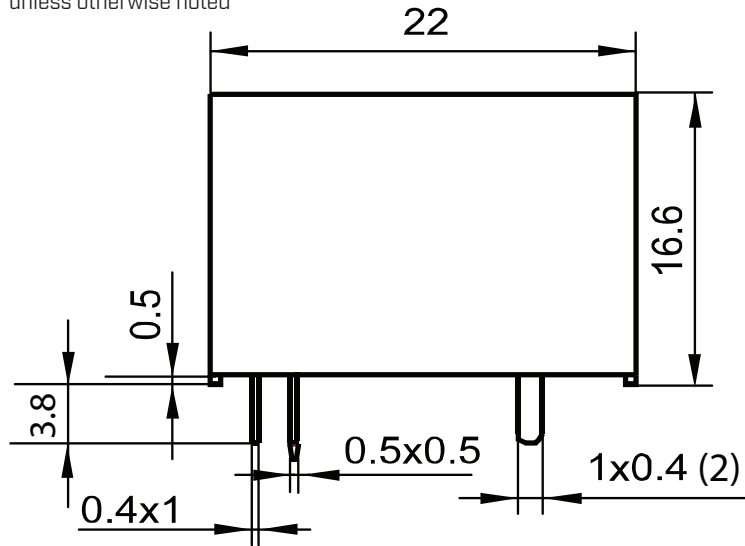


Recommended PCB Layout
Bottom View

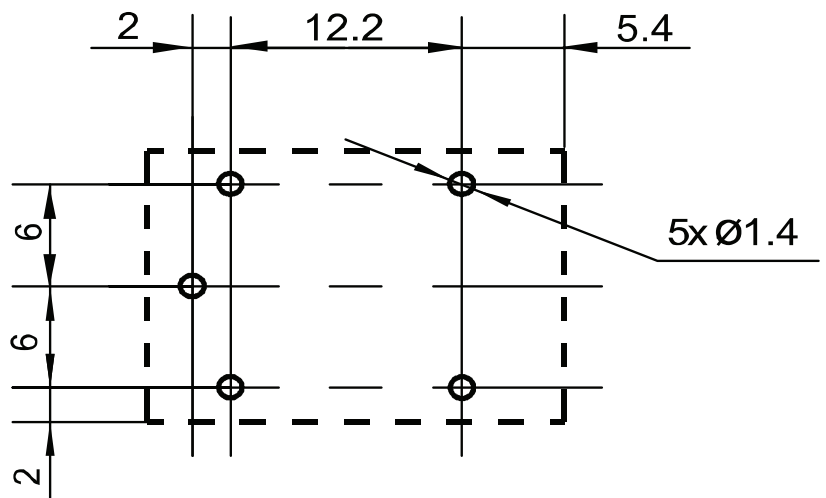
MECHANICAL DRAWING (1 FORM C)

units: mm
 tolerance:
 $X \leq 1$: ± 0.20 mm
 $1 < X \leq 5$: ± 0.3 mm
 $X > 5$ mm: ± 0.4 mm
 PCB: ± 0.10 mm
 unless otherwise noted

DESCRIPTION	MATERIAL	PLATING/COLOR
housing	PBT [UL94V-0]	black
terminals	copper alloy	tin
coil terminals	enameled wire	



Wiring Diagram
Bottom View



Recommended PCB Layout
Bottom View

REVISION HISTORY

rev.	description	date
1.0	initial release	10/06/2025
1.01	updated datasheet	03/06/2026

The revision history provided is for informational purposes only and is believed to be accurate.



Same Sky offers a one (1) year limited warranty. Complete warranty information is listed on our website.

Same Sky reserves the right to make changes to the product at any time without notice. Information provided by Same Sky is believed to be accurate and reliable. However, no responsibility is assumed by Same Sky for its use, nor for any infringements of patents or other rights of third parties which may result from its use.

Same Sky products are not authorized or warranted for use as critical components in equipment that requires an extremely high level of reliability. A critical component is any component of a life support device or system whose failure to perform can be reasonably expected to cause the failure of the life support device or system, or to affect its safety or effectiveness.

[sameskydevices.com](https://www.sameskydevices.com)