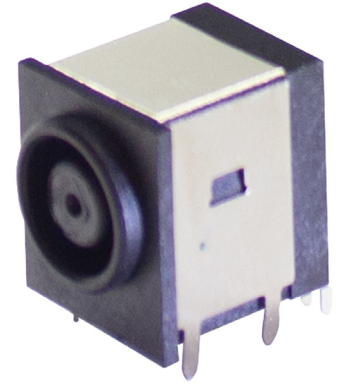


**MODEL:** PJ-118-X7 | **DESCRIPTION:** DC POWER JACK**FEATURES**

- 3 conductor with signal pin
- wave solderable
- IPX7 rated

**SPECIFICATIONS**

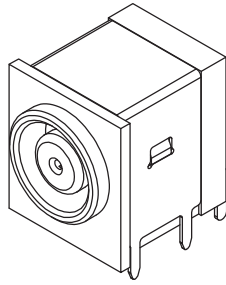
parameter	conditions/description	min	typ	max	units
rated input voltage			20		Vdc
rated input current	power pin signal pin			10 1	A A
contact resistance				20	mΩ
insulation resistance	at 250 Vdc	100			MΩ
voltage withstand	for 1 minute			500	Vac
insertion/withdrawal force		1.5		3	kg
operating temperature		-25		85	°C
life			5,000		cycles
flammability rating	UL94V-0				
RoHS	yes				
IP rated	IPX7				

**SOLDERABILITY**

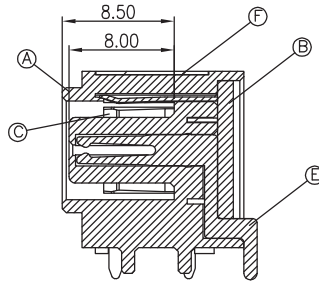
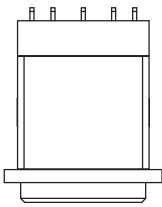
parameter	conditions/description	min	typ	max	units
wave soldering	for 5±0.5 seconds	255	260	265	°C

## MECHANICAL DRAWING

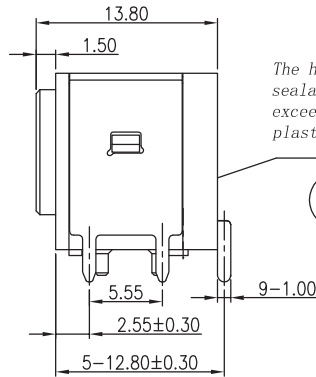
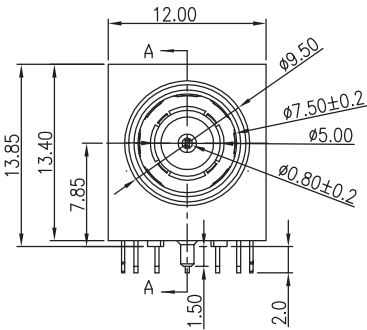
units: mm  
 tolerance:  
 X.  $\pm 0.50$  mm  
 X.X  $\pm 0.30$  mm  
 X.XX  $\pm 0.20$  mm  
 X.XXX  $\pm 0.10$  mm  
 PCB:  $\pm 0.05$  mm  
 unless otherwise specified



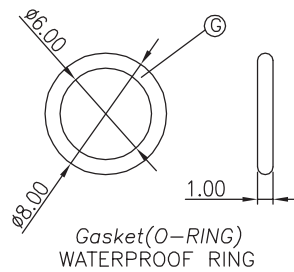
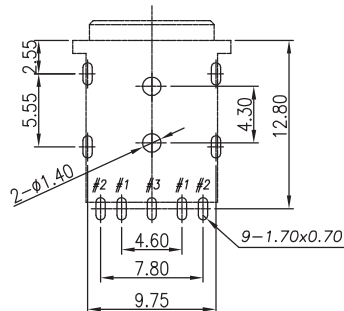
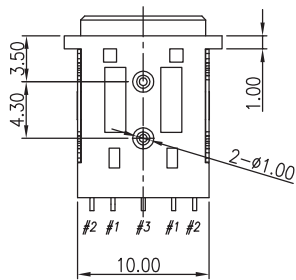
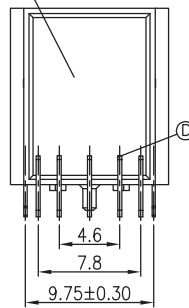
ITEM	DESCRIPTION	MATERIAL	PLATING/COLOR
A	housing	PA10T (UL94V-0)	black
B	cover	PA10T (UL94V-0)	black
C	spring [-]	copper alloy t=0.3	silver
D	contact [+]	copper alloy t=0.3	silver
E	signal [S]	copper alloy t=0.3	silver
F	shell	brass t=0.25	nickel
G	o-ring	silica gel	black



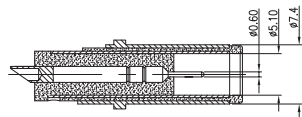
SECTION A-A  
SCALE 1:1



This side is the glue-sealed side.  
 The height of the sealant should not exceed this plastic surface.



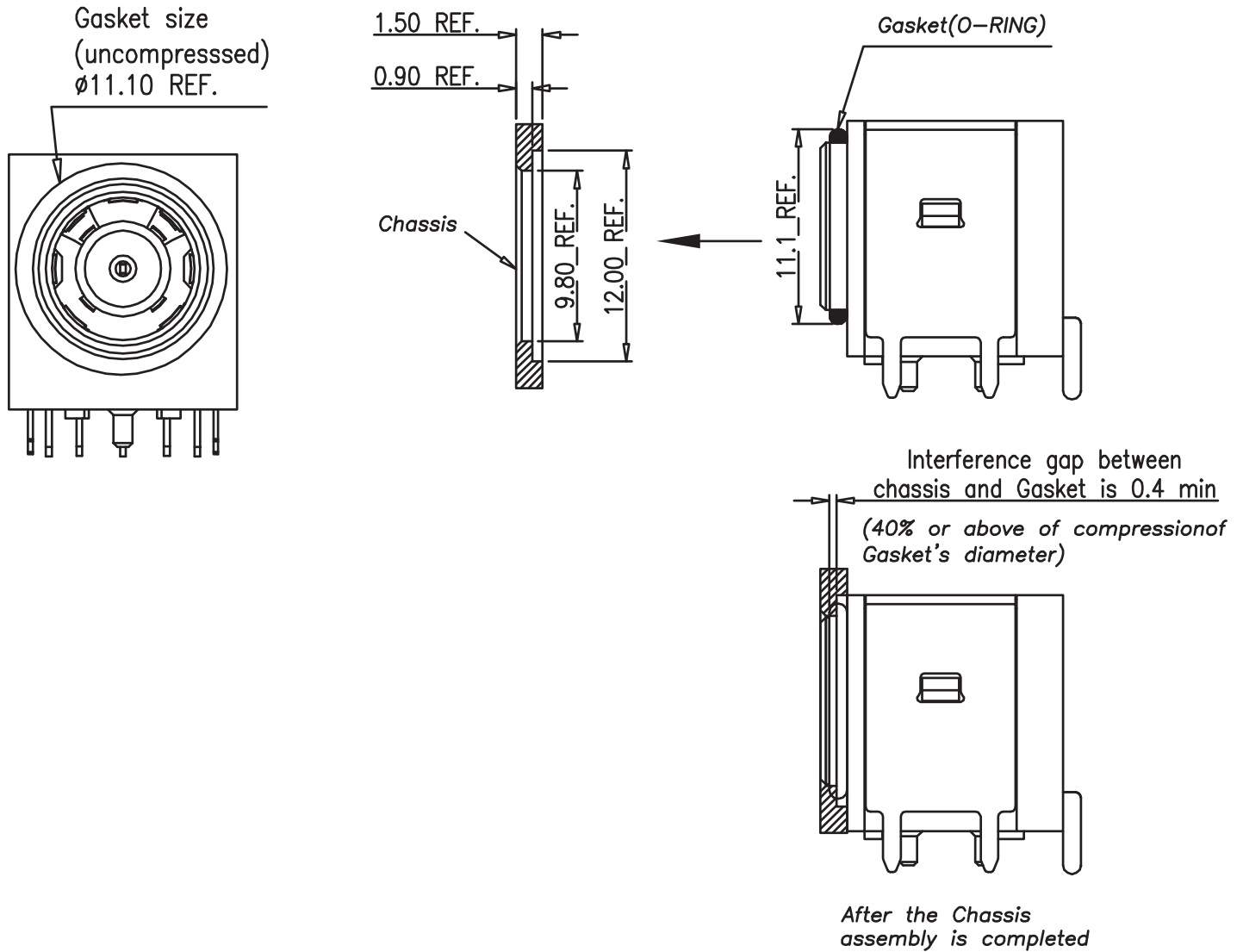
Recommended PCB Layout  
Top View



MATING PLUG  
Jack Insertion Depth: 8.50 mm

Schematic	
Model	PJ-118-X7
terminal 1	V+
terminal 2	V-
terminal 3	signal pin

## ASSEMBLY REFERENCE



## REVISION HISTORY

rev.	description	date
1.0	initial release	11/04/2025

The revision history provided is for informational purposes only and is believed to be accurate.



Same Sky offers a one (1) year limited warranty. Complete warranty information is listed on our website.

Same Sky reserves the right to make changes to the product at any time without notice. Information provided by Same Sky is believed to be accurate and reliable. However, no responsibility is assumed by Same Sky for its use, nor for any infringements of patents or other rights of third parties which may result from its use.

Same Sky products are not authorized or warranted for use as critical components in equipment that requires an extremely high level of reliability. A critical component is any component of a life support device or system whose failure to perform can be reasonably expected to cause the failure of the life support device or system, or to affect its safety or effectiveness.

[sameskydevices.com](https://www.sameskydevices.com)