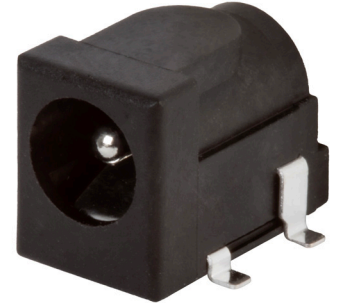




MODEL: PJ-114BH-SMT-TR | **DESCRIPTION:** DC POWER JACK

FEATURES

- 2.5 mm center pin
- reflow solder
- tape & reel packaging

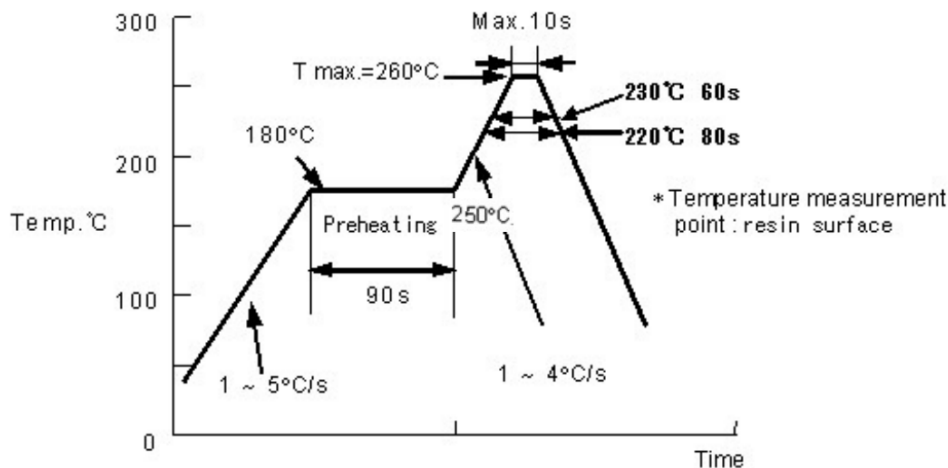


SPECIFICATIONS

parameter	conditions/description	min	typ	max	units
rated input voltage			20		Vdc
rated input current				5	A
contact resistance				30	mΩ
insulation resistance	at 500 Vdc	100			MΩ
voltage withstand	for 1 minute			500	Vac
insertion/withdrawal force		0.3		3	kg
operating temperature		-20		70	°C
storage temperature		-40		85	°C
life			5,000		cycles
flammability rating	UL94V-0				
RoHS	yes				

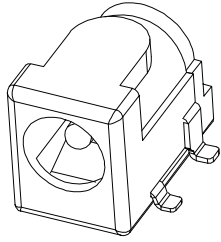
SOLDERABILITY

parameter	conditions/description	min	typ	max	units
reel storage	5~35°C, <75% humidity				°C
reflow soldering	see reflow profile			260	°C
drying conditions	bake at 120°C for 4 hours				

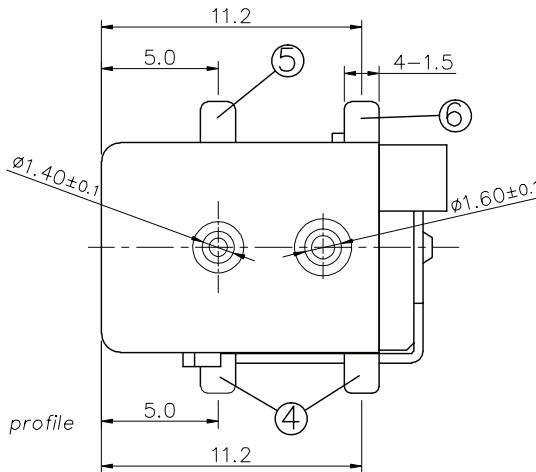
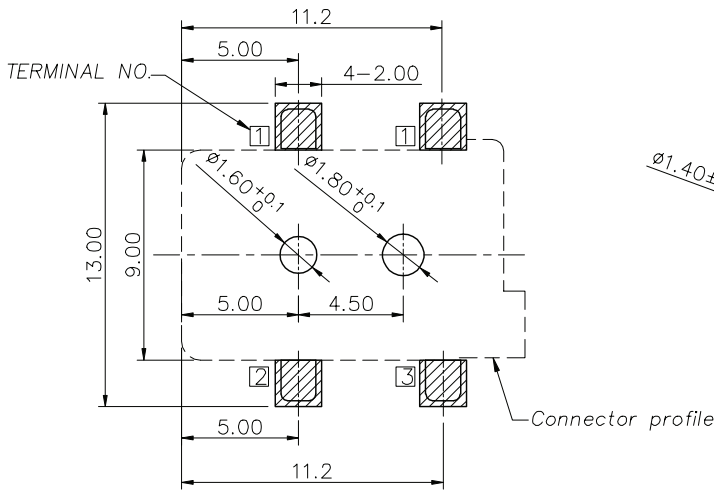
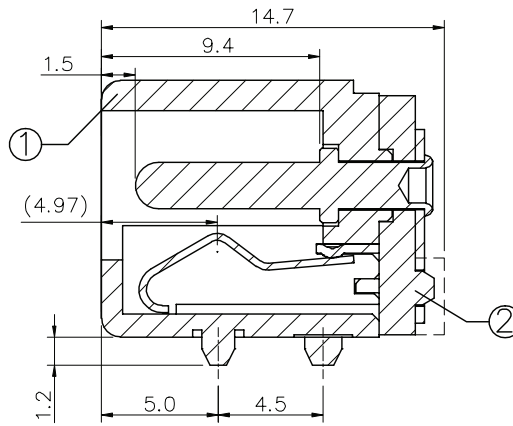
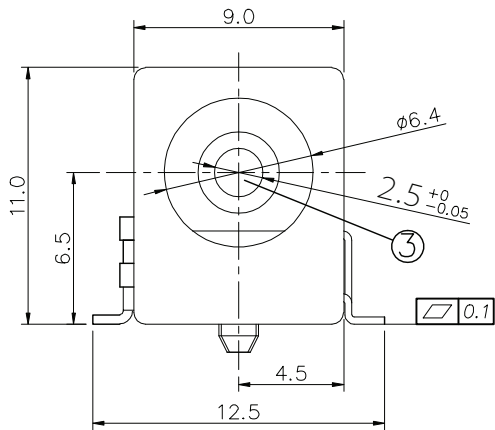


MECHANICAL DRAWING

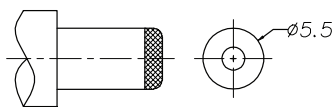
units: mm
 tolerance:
 X.X: ±0.50 mm
 X.XX: ±0.30 mm
 X.XXX: ±0.15 mm
 PCB: ±0.05 mm
 unless otherwise specified
 PCB thickness: 1.6 mm



ITEM	DESCRIPTION	MATERIAL	PLATING/COLOR
1	housing	PA10T (UL94V-0)	black
2	cover	PA10T (UL94V-0)	black
3	center pin	copper alloy	copper-tin alloy
4	terminal 1	brass t=0.30	silver
5	terminal 2	copper alloy t=0.30	silver
6	terminal 3	brass t=0.30	silver



Recommended PCB Layout
 Top View



MATING PLUG
 Jack Insertion Depth: 9.4 mm

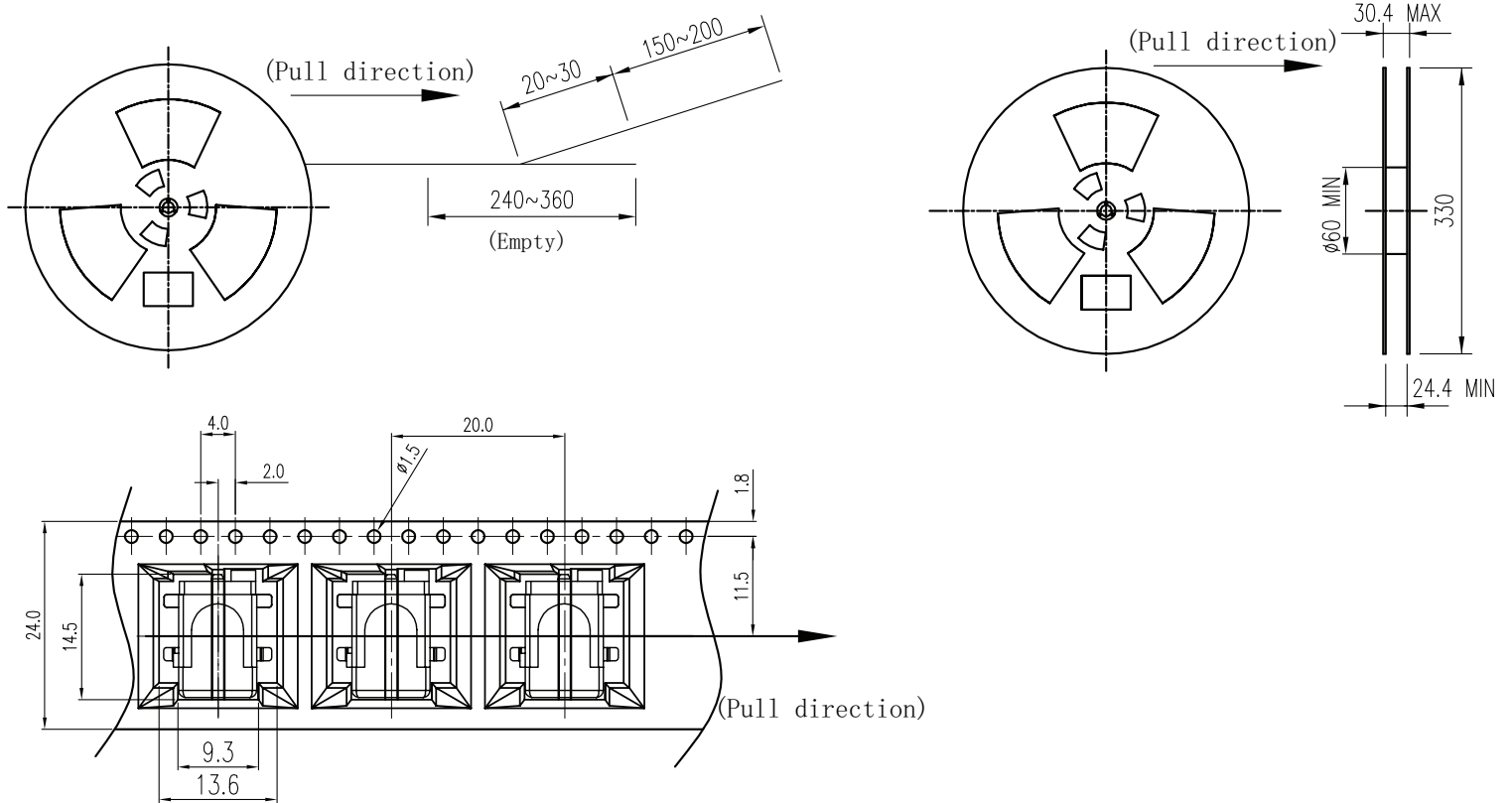
Schematic	1 3 2
Model	PJ-114BH-SMT-TR
Center Pin	∅2.5 mm

PACKAGING

units: mm

Reel Size: $\varnothing 330$ mm

Reel QTY: 250 pcs per reel



REVISION HISTORY

rev.	description	date
1.0	initial release	09/25/2024

The revision history provided is for informational purposes only and is believed to be accurate.



Same Sky offers a one (1) year limited warranty. Complete warranty information is listed on our website.

Same Sky reserves the right to make changes to the product at any time without notice. Information provided by Same Sky is believed to be accurate and reliable. However, no responsibility is assumed by Same Sky for its use, nor for any infringements of patents or other rights of third parties which may result from its use.

Same Sky products are not authorized or warranted for use as critical components in equipment that requires an extremely high level of reliability. A critical component is any component of a life support device or system whose failure to perform can be reasonably expected to cause the failure of the life support device or system, or to affect its safety or effectiveness.

[sameskydevices.com](https://www.sameskydevices.com)