

**MODEL:** PJ-005A | **DESCRIPTION:** DC POWER JACK**FEATURES**

- 2.0 mm center pin
- mounting hardware includes nut and washer
- panel mount

**SPECIFICATIONS**

parameter	conditions/description	min	typ	max	units
rated input voltage			24		Vdc
rated input current				5	A
contact resistance				30	mΩ
insulation resistance	at 500 Vdc	100			MΩ
voltage withstand	for 1 minute			500	Vac
insertion/withdrawal force		0.3		3	kg
operating temperature		-40		70	°C
life			5,000		cycles
flammability rating	see material table				
RoHS	yes				

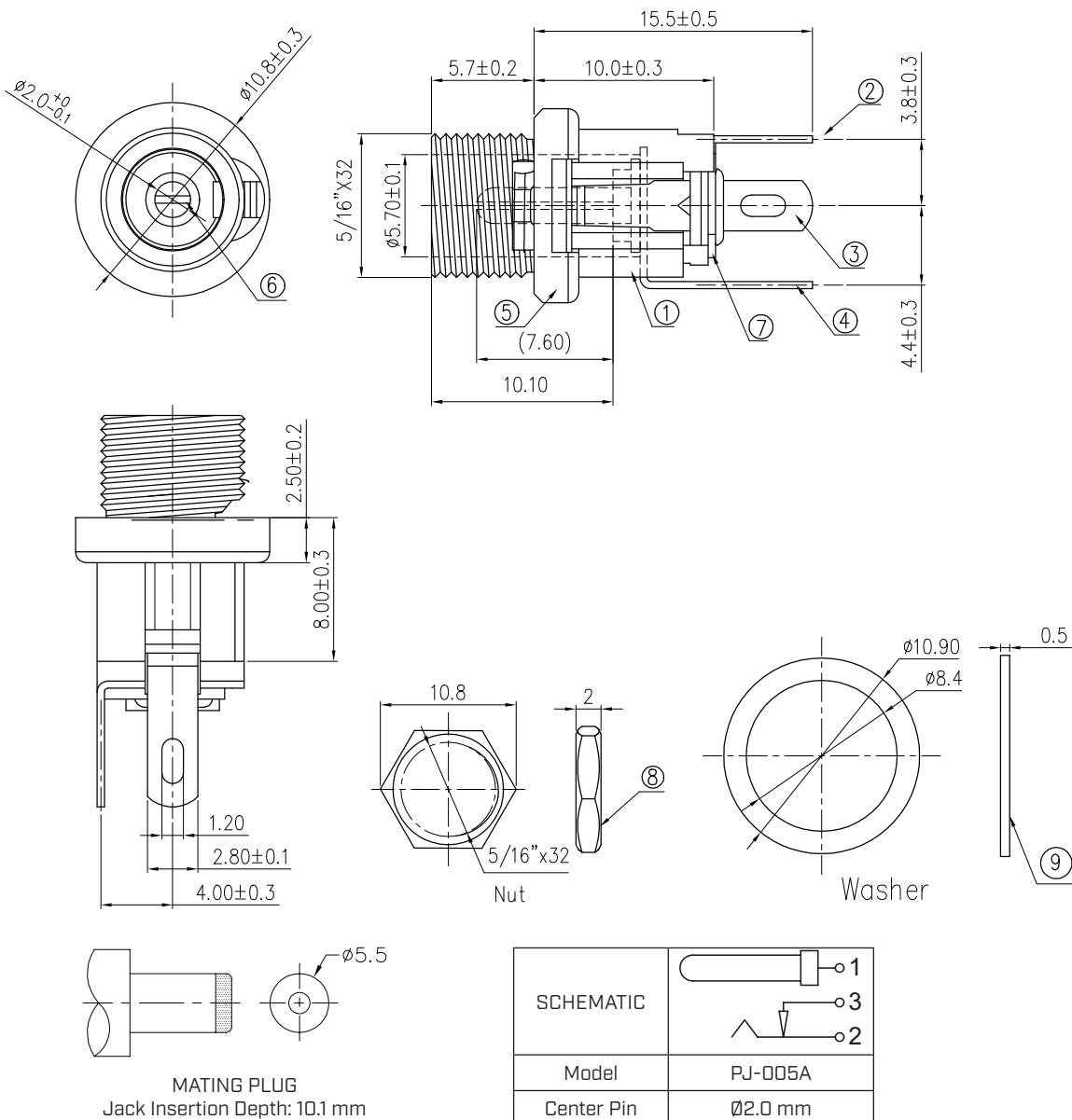
**SOLDERABILITY**

parameter	conditions/description	min	typ	max	units
hand soldering	for 3-5 seconds	285		305	°C

## MECHANICAL DRAWING

units: mm  
 tolerance:  
 X.X ±0.50 mm  
 X.XX ±0.30 mm  
 X.XXX ±0.15 mm  
 unless otherwise specified

ITEM	DESCRIPTION	MATERIAL	PLATING/COLOR
1	housing	PBT [UL94V-0]	black
2	center pin terminal [1]	copper alloy	silver
3	tip spring [2]	copper alloy	silver
4	shunt spring [3]	copper alloy	silver
5	bushing	copper alloy	nickel
6	center pin	copper alloy	nickel
7	washer	bakelite	---
8	nut	copper alloy	nickel
9	washer	Q195	nickel



SCHEMATIC	
Model	PJ-005A
Center Pin	$\phi 2.0$ mm

## REVISION HISTORY

rev.	description	date
1.0	initial release	01/30/2006
1.01	applied new spec template	05/06/2011
1.02	updated voltage and current rating	07/09/2014
1.03	removed slot from threaded barrel	09/01/2017
1.04	brand update	10/30/2019
1.05	updated hand soldering recommendations	02/24/2022
1.06	logo, datasheet style update	08/05/2022
1.07	CUI Devices rebranded to Same Sky	09/12/2024
1.08	factory location change	04/29/2026
1.09	updated drawing	05/27/2026

The revision history provided is for informational purposes only and is believed to be accurate.



Same Sky offers a one (1) year limited warranty. Complete warranty information is listed on our website.

Same Sky reserves the right to make changes to the product at any time without notice. Information provided by Same Sky is believed to be accurate and reliable. However, no responsibility is assumed by Same Sky for its use, nor for any infringements of patents or other rights of third parties which may result from its use.

Same Sky products are not authorized or warranted for use as critical components in equipment that requires an extremely high level of reliability. A critical component is any component of a life support device or system whose failure to perform can be reasonably expected to cause the failure of the life support device or system, or to affect its safety or effectiveness.

[sameskydevices.com](https://www.sameskydevices.com)