


SERIES: PBM5 | **DESCRIPTION:** PUSH BUTTON SWITCH

FEATURES

- locking
- stainless steel and black alloy
- illuminated

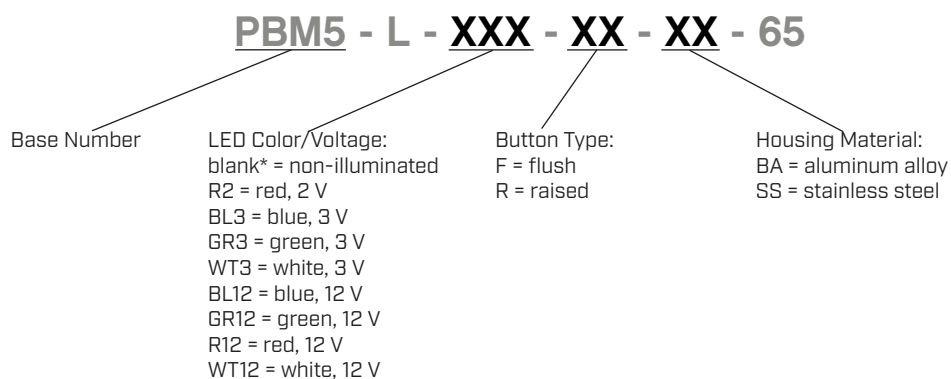

SPECIFICATIONS

parameter	conditions/description	min	typ	max	units
rated voltage				12	Vdc
				24	Vdc
				250	Vac
rated current	12 Vdc			2.0	A
	24 Vdc			1.0	A
	250 Vac			2.0	A
withstanding voltage	for 1 minute		1,000		Vac
contact resistance				50	mΩ
insulation resistance	at 100 Vdc	100			MΩ
operating force		350	500	650	gf
actuator travel		2.0	2.5	3.0	mm
operating temperature		-20		85	°C
life	electrical		10,000		cycles
	mechanical		200,000		cycles
hand soldering	for 3±0.5 seconds	345	350	355	°C
RoHS	yes				
IP level	IP65				

LED SPECIFICATIONS

parameter	conditions/description	min	typ	max	units
forward voltage (Vf)	at If=15 mA				
	red (2 V)	1.8	2.0	2.4	V
	blue (3 V)	2.8	3.0	3.4	V
	green (3 V)	2.8	3.0	3.4	V
	white (3 V)	2.8	3.0	3.4	V
	blue (12 V): external 700 Ω resistor required		12		V
	green (12 V): external 700 Ω resistor required		12		V
	red (12 V): external 700 Ω resistor required		12		V
	white (12 V): external 700 Ω resistor required		12		V

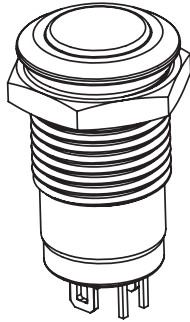
PART NUMBER KEY



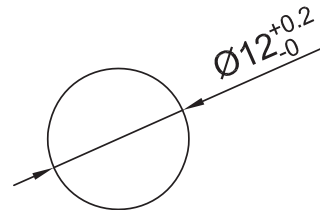
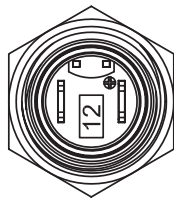
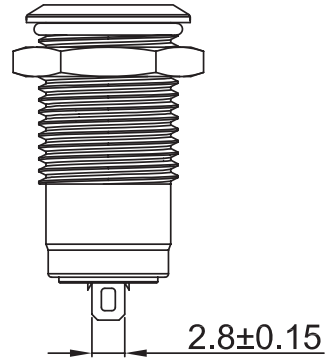
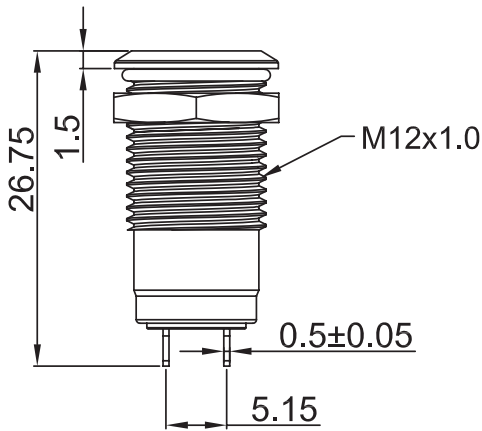
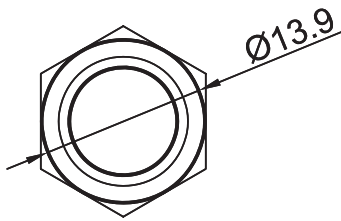
Note: *Non-illuminated version only available with flush button.

MECHANICAL DRAWING (FLUSH, NON-ILLUMINATED)

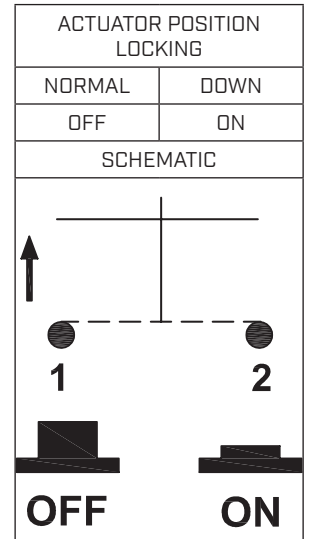
units: mm
 tolerance:
 $X \leq 5.0$: ± 0.2 mm
 $5.0 < X < 30.0$: ± 0.3 mm
 $X \geq 30.0$: ± 0.5 mm
 unless otherwise noted
 panel thickness: 6.5 mm max



DESCRIPTION	MATERIAL	PLATING/COLOR
housing	aluminum alloy or stainless steel	black (aluminum alloy) clean (stainless steel)
actuator	aluminum alloy or stainless steel	black (aluminum alloy) clean (stainless steel)
switch terminals	copper	gold
nut	brass	nickel
base	PA66 (UL94HB)	white

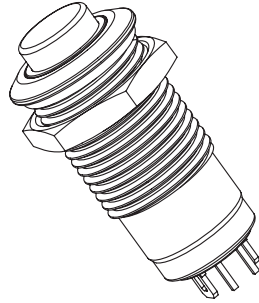


Recommended Panel Cutout

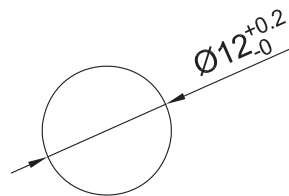
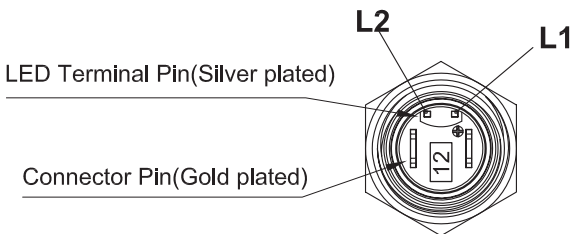
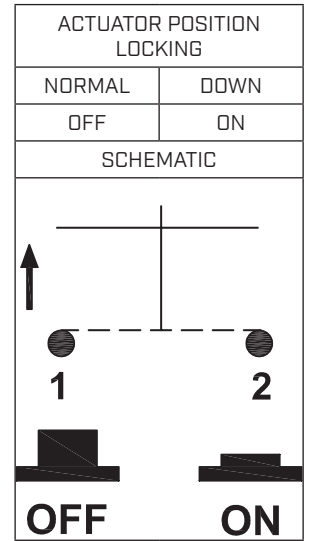
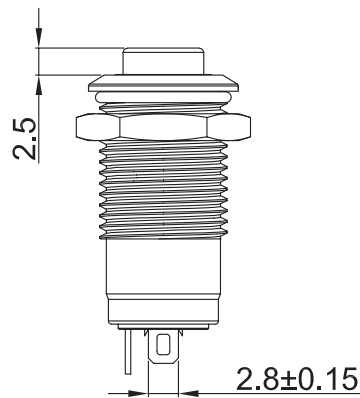
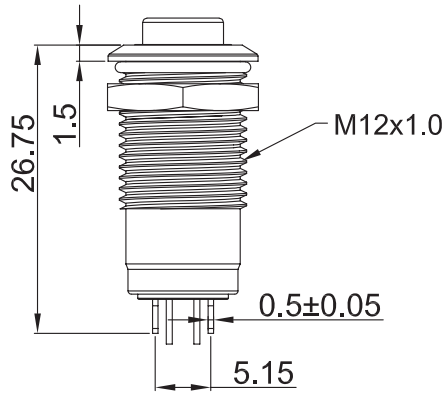
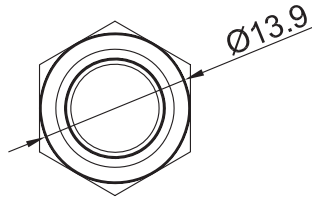


MECHANICAL DRAWING (RAISED, ILLUMINATED)

units: mm
 tolerance:
 X≤5.0: ±0.2 mm
 5.0<X<30.0: ±0.3 mm
 X≥30.0: ±0.5 mm
 unless otherwise noted
 panel thickness: 6.5 mm max



DESCRIPTION	MATERIAL	PLATING/COLOR
housing	aluminum alloy or stainless steel	black (aluminum alloy) clean (stainless steel)
actuator	aluminum alloy or stainless steel	black (aluminum alloy) clean (stainless steel)
switch terminals	copper	gold
LED terminals	copper	silver
nut	brass	nickel
base	PA66 (UL94HB)	white



Recommended Panel Cutout

LED Table		
Model	2-3 V LED Models	12 V LED Models
Polarity		

REVISION HISTORY

rev.	description	date
1.0	initial release	06/15/2026

The revision history provided is for informational purposes only and is believed to be accurate.



Same Sky offers a one (1) year limited warranty. Complete warranty information is listed on our website.

Same Sky reserves the right to make changes to the product at any time without notice. Information provided by Same Sky is believed to be accurate and reliable. However, no responsibility is assumed by Same Sky for its use, nor for any infringements of patents or other rights of third parties which may result from its use.

Same Sky products are not authorized or warranted for use as critical components in equipment that requires an extremely high level of reliability. A critical component is any component of a life support device or system whose failure to perform can be reasonably expected to cause the failure of the life support device or system, or to affect its safety or effectiveness.

[sameskydevices.com](https://www.sameskydevices.com)