

SERIES: PBM4 | DESCRIPTION: PUSH BUTTON SWITCH

FEATURES

- black alloy
- IP67
- illuminated



SPECIFICATIONS

parameter	conditions/description	min	typ	max	units
rated voltage				36 250	Vdc Vac
rated current	Vdc Vac			2.0 0.4	A A
withstanding voltage	for 1 minute		1,000		Vac
contact resistance				50	mΩ
insulation resistance	at 100 Vdc	100			MΩ
operating force		300	450	600	gf
actuator travel		1.0	1.5	2.0	mm
operating temperature		-20		85	°C
life	electrical mechanical		10,000 200,000		cycles cycles
hand soldering	for 3±0.5 seconds	345	350	355	°C
RoHS	yes				
IP level	IP67				

LED SPECIFICATIONS

parameter	conditions/description	min	typ	max	units
forward voltage (Vf)	at If=15 mA				
	red (2 V)	1.8	2.0	2.4	V
	yellow (2 V)	1.8	2.0	2.4	V
	blue (3 V)	2.8	3.0	3.4	V
	green (3 V)	2.8	3.0	3.4	V
	white (3 V)	2.8	3.0	3.4	V
	blue (12 V)	5.0	12	13.0	V
	green (12 V)	5.0	12	13.0	V
	red (12 V)	5.0	12	13.0	V
	white (12 V)	5.0	12	13.0	V
	yellow (12V)	5.0	12	13.0	V

PART NUMBER KEY

PBM4 - M - XXX - XX - BA - 67

Base Number

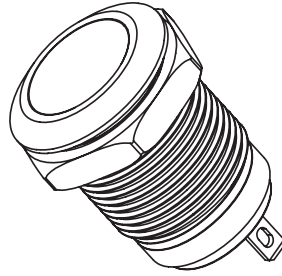
LED Color/Voltage:
 blank = non-illuminated
 R2 = red, 2 V
 YL2 = yellow, 2 V
 BL3 = blue, 3 V
 GR3 = green, 3 V
 WT3 = white, 3 V
 BL12 = blue, 12 V
 GR12 = green, 12 V
 R12 = red, 12 V
 WT12 = white, 12 V
 YL12 = yellow, 12 V

Button Type:

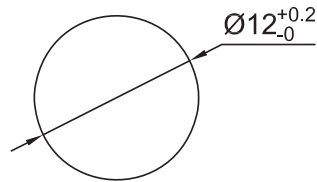
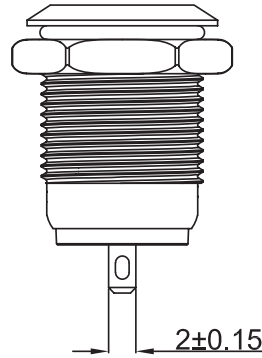
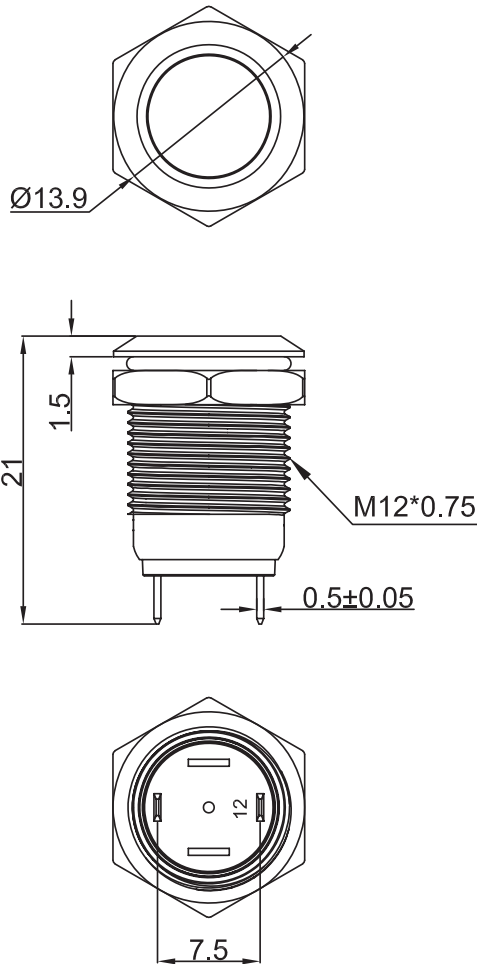
F = flush
 R = raised
 P-F = flush, with power emblem

MECHANICAL DRAWING (FLUSH, NON-ILLUMINATED)

units: mm
 tolerance:
 $X \leq 5.0$: ± 0.2 mm
 $5.0 < X < 30.0$: ± 0.3 mm
 $X \geq 30.0$: ± 0.5 mm
 unless otherwise noted
 panel thickness: 6.0 mm max



DESCRIPTION	MATERIAL	PLATING/COLOR
housing	aluminum alloy	black
actuator	aluminum alloy	black
switch terminals	brass	gold
nut	brass	nickel
base	PA66 (UL94HB)	white

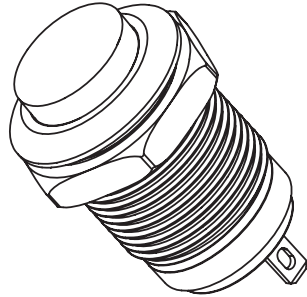


Recommended Panel Cutout

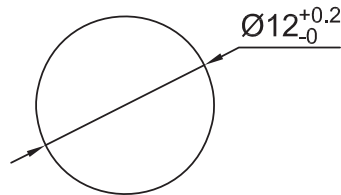
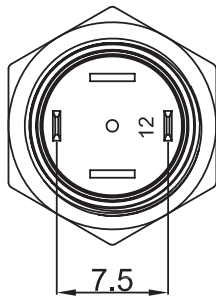
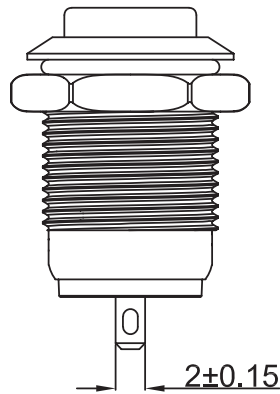
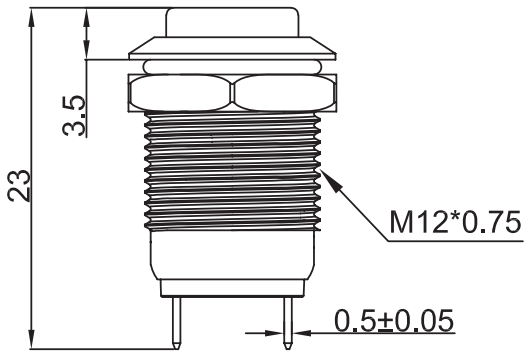
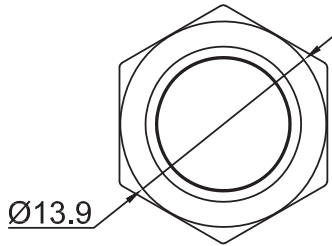
ACTUATOR POSITION (): MOMENTARY	
NORMAL	DOWN
OFF	[ON]
SCHEMATIC	

MECHANICAL DRAWING (RAISED, NON-ILLUMINATED)

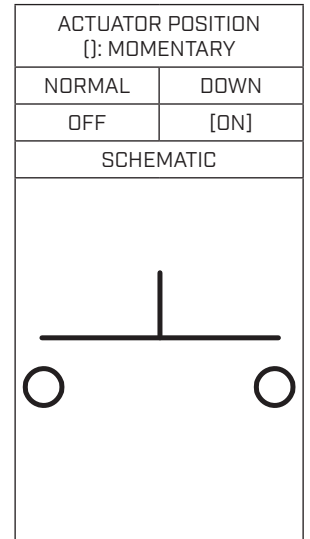
units: mm
 tolerance:
 $X \leq 5.0$: ± 0.2 mm
 $5.0 < X < 30.0$: ± 0.3 mm
 $X \geq 30.0$: ± 0.5 mm
 unless otherwise noted
 panel thickness: 6.0 mm max



DESCRIPTION	MATERIAL	PLATING/COLOR
housing	aluminum alloy	black
actuator	aluminum alloy	black
switch terminals	brass	gold
nut	brass	nickel
base	PA66 (UL94HB)	white

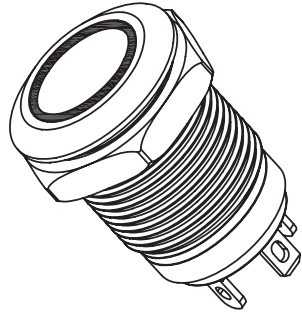


Recommended Panel Cutout

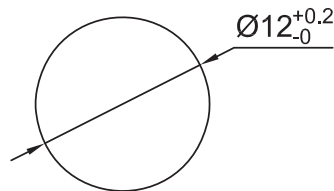
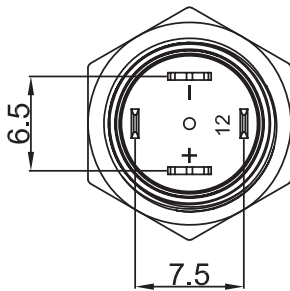
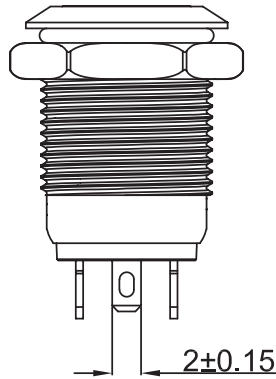
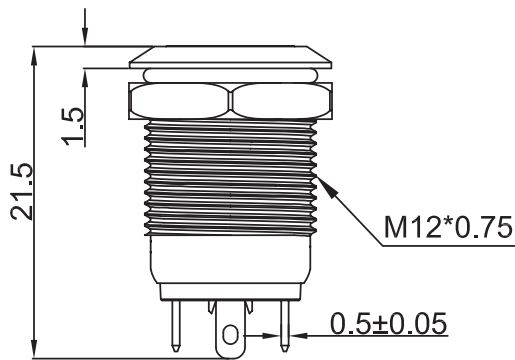
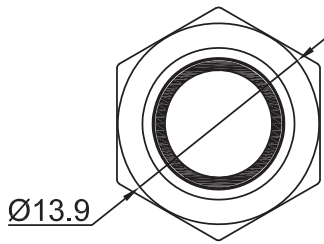


MECHANICAL DRAWING (FLUSH, ILLUMINATED)

units: mm
 tolerance:
 $X \leq 5.0$: ± 0.2 mm
 $5.0 < X < 30.0$: ± 0.3 mm
 $X \geq 30.0$: ± 0.5 mm
 unless otherwise noted
 panel thickness: 6.0 mm max



DESCRIPTION	MATERIAL	PLATING/COLOR
housing	aluminum alloy	black
actuator	aluminum alloy	black
switch terminals	brass	gold
LED terminals	brass	silver
nut	brass	nickel
base	PA66 (UL94HB)	white



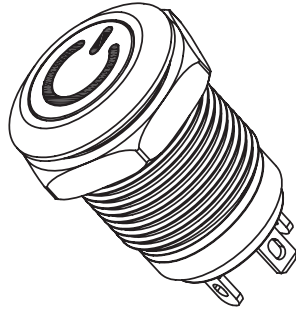
Recommended Panel Cutout

ACTUATOR POSITION (): MOMENTARY	
NORMAL	DOWN
OFF	[ON]
SCHEMATIC	

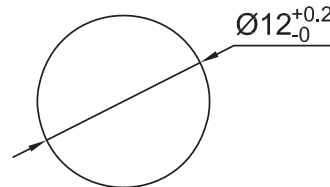
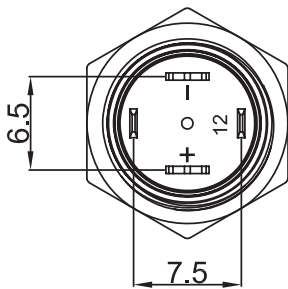
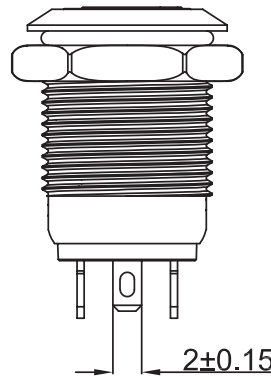
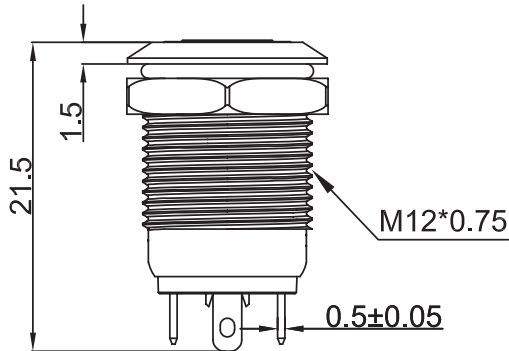
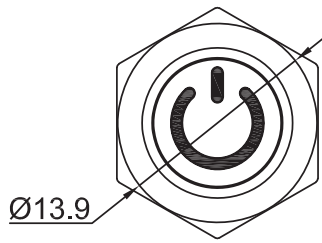
LED Table	
Model	2-12 V LED Models
Polarity	

MECHANICAL DRAWING (FLUSH, ILLUMINATED WITH POWER EMBLEM)

units: mm
 tolerance:
 $X \leq 5.0$: ± 0.2 mm
 $5.0 < X < 30.0$: ± 0.3 mm
 $X \geq 30.0$: ± 0.5 mm
 unless otherwise noted
 panel thickness: 6.0 mm max



DESCRIPTION	MATERIAL	PLATING/COLOR
housing	aluminum alloy	black
actuator	aluminum alloy	black
switch terminals	brass	gold
LED terminals	brass	silver
nut	brass	nickel
base	PA66 (UL94HB)	white



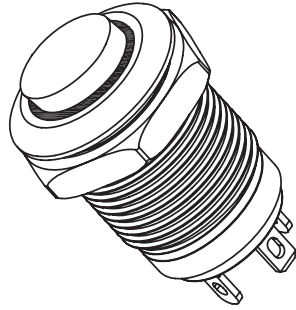
Recommended Panel Cutout

ACTUATOR POSITION (): MOMENTARY	
NORMAL	DOWN
OFF	[ON]
SCHEMATIC	

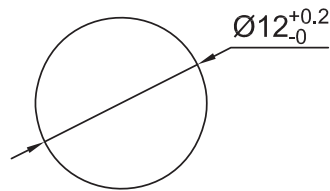
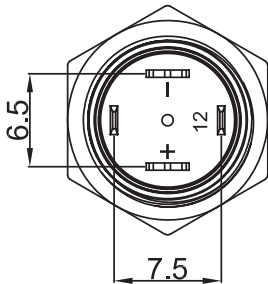
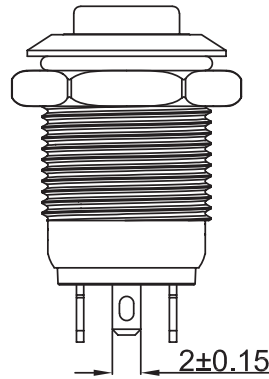
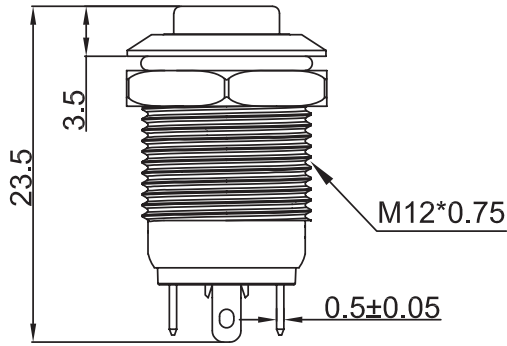
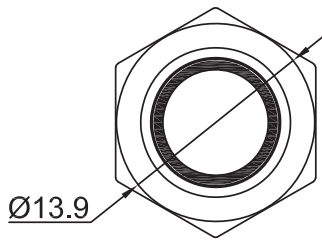
LED Table	
Model	2-12 V LED Models
Polarity	

MECHANICAL DRAWING (RAISED, ILLUMINATED)

units: mm
 tolerance:
 $X \leq 5.0$: ± 0.2 mm
 $5.0 < X < 30.0$: ± 0.3 mm
 $X \geq 30.0$: ± 0.5 mm
 unless otherwise noted
 panel thickness: 6.0 mm max



DESCRIPTION	MATERIAL	PLATING/COLOR
housing	aluminum alloy	black
actuator	aluminum alloy	black
switch terminals	brass	gold
LED terminals	brass	silver
nut	brass	nickel
base	PA66 (UL94HB)	white



Recommended Panel Cutout

ACTUATOR POSITION (): MOMENTARY	
NORMAL	DOWN
OFF	[ON]
SCHEMATIC	

LED Table	
Model	2-12 V LED Models
Polarity	

REVISION HISTORY

rev.	description	date
1.0	initial release	06/11/2026

The revision history provided is for informational purposes only and is believed to be accurate.



Same Sky offers a one (1) year limited warranty. Complete warranty information is listed on our website.

Same Sky reserves the right to make changes to the product at any time without notice. Information provided by Same Sky is believed to be accurate and reliable. However, no responsibility is assumed by Same Sky for its use, nor for any infringements of patents or other rights of third parties which may result from its use.

Same Sky products are not authorized or warranted for use as critical components in equipment that requires an extremely high level of reliability. A critical component is any component of a life support device or system whose failure to perform can be reasonably expected to cause the failure of the life support device or system, or to affect its safety or effectiveness.

[sameskydevices.com](https://www.sameskydevices.com)