



**SERIES:** PB4 | **DESCRIPTION:** PUSH BUTTON SWITCH

**FEATURES**

- momentary
- dome cap
- IP67



**SPECIFICATIONS**

parameter	conditions/description	min	typ	max	units
rated voltage				250	Vac
rated current				0.2	A
withstanding voltage	for 1 minute		1,000		Vac
contact resistance				50	mΩ
insulation resistance		100			MΩ
operating force		350	500	650	gf
actuator travel		1.5	2.0	2.5	mm
operating temperature		-20		85	°C
life	electrical mechanical		30,000 200,000		cycles cycles
hand soldering	for 3±0.5 seconds	345	350	355	°C
flammability rating	see material table				
RoHS	yes				
IP level	IP67				

**PART NUMBER KEY**

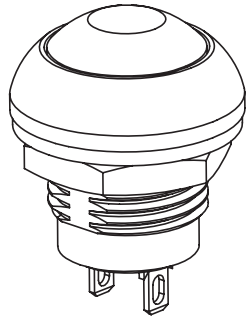
**PB4 - M - XX - D - 67**

Base Number

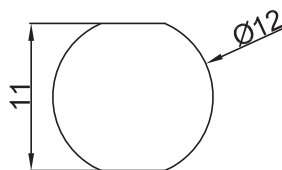
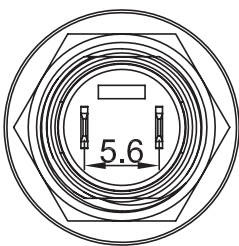
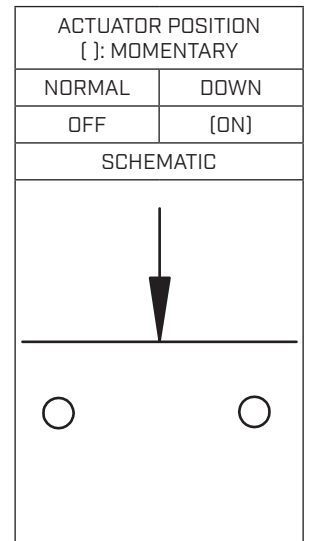
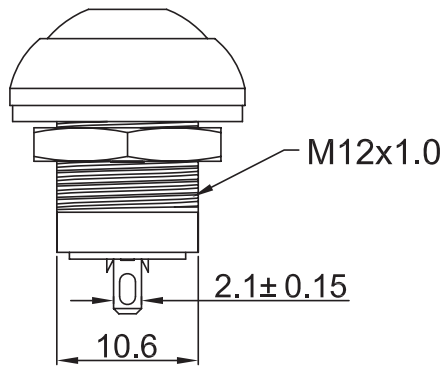
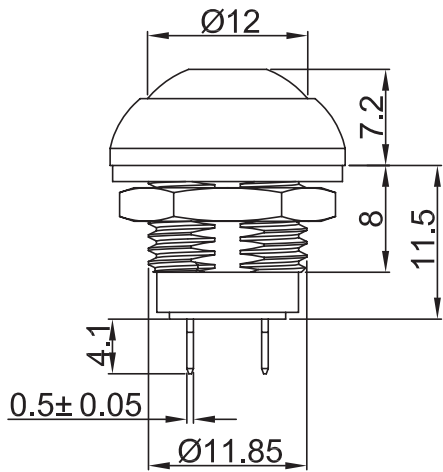
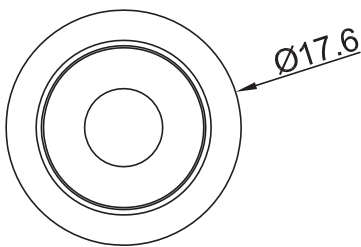
Cap Color:  
BK = black  
BL = blue  
GR = green  
R = red  
YL = yellow

## MECHANICAL DRAWING

units: mm  
 tolerance:  
 $X \leq 5.0$ :  $\pm 0.2$  mm  
 $5.0 < X < 30.0$ :  $\pm 0.3$  mm  
 $X \geq 30.0$ :  $\pm 0.5$  mm  
 unless otherwise noted  
 panel thickness: 4.0 mm max



DESCRIPTION	MATERIAL	PLATING/COLOR
base	PA [UL94V-2]	black
cap	PA [UL94V-2]	see part number key
terminals	copper	silver
nut	zinc alloy	nickel



Recommended Panel Cutout

## REVISION HISTORY

rev.	description	date
1.0	initial release	01/16/2026

The revision history provided is for informational purposes only and is believed to be accurate.



Same Sky offers a one (1) year limited warranty. Complete warranty information is listed on our website.

Same Sky reserves the right to make changes to the product at any time without notice. Information provided by Same Sky is believed to be accurate and reliable. However, no responsibility is assumed by Same Sky for its use, nor for any infringements of patents or other rights of third parties which may result from its use.

Same Sky products are not authorized or warranted for use as critical components in equipment that requires an extremely high level of reliability. A critical component is any component of a life support device or system whose failure to perform can be reasonably expected to cause the failure of the life support device or system, or to affect its safety or effectiveness.

[sameskydevices.com](https://www.sameskydevices.com)