



SERIES: PB2 | **DESCRIPTION:** PUSH BUTTON SWITCH

FEATURES

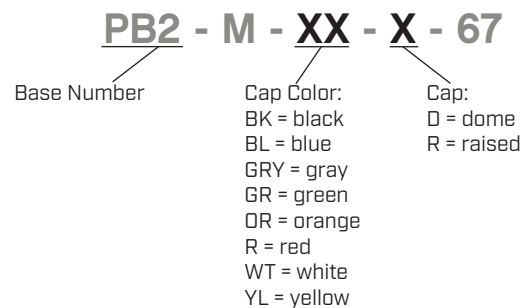
- momentary
- raised and dome caps
- IP67



SPECIFICATIONS

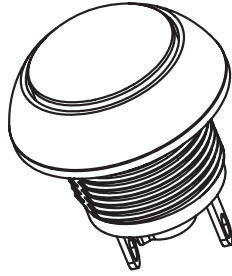
parameter	conditions/description	min	typ	max	units
rated voltage	resistive			28	Vdc
	resistive			115	Vac
	inductive			28	Vdc
rated current	resistive (Vdc)			5	A
	resistive (Vac)			1	A
	inductive (Vdc)			2	A
withstanding voltage	for 1 minute		1,000		Vac
contact resistance				50	mΩ
insulation resistance	at 500 Vdc	1,000			MΩ
operating force			770		gf
actuator travel				1.6	mm
operating temperature		-40		85	°C
life	electrical		25,000		cycles
	mechanical		1,000,000		cycles
hand soldering	for 3±0.5 seconds	345	350	355	°C
flammability rating	see material table				
RoHS	yes				
IP level	IP67				

PART NUMBER KEY

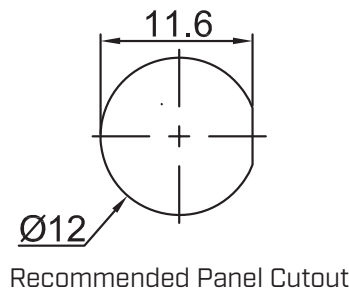
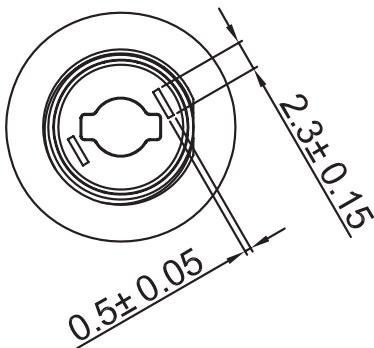
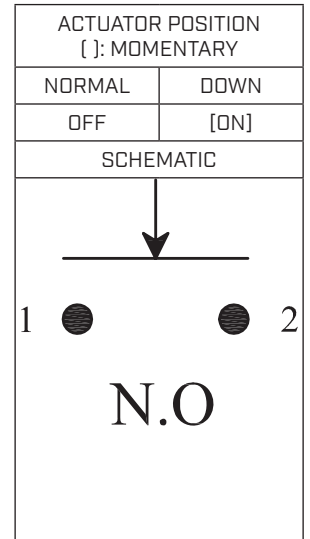
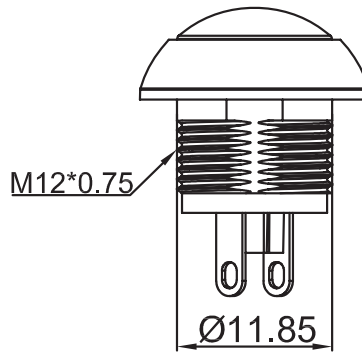
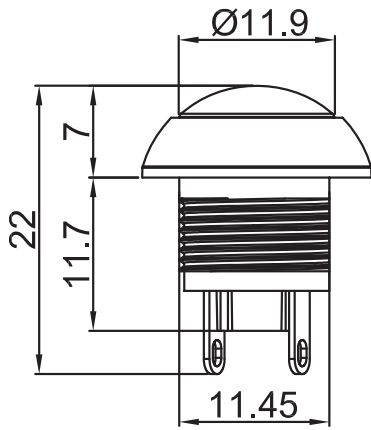
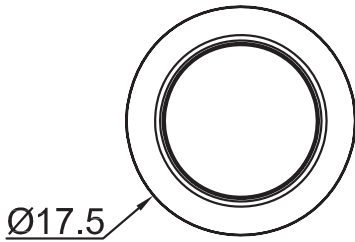


MECHANICAL DRAWING (DOME)

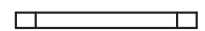
units: mm
 tolerance:
 $X \leq 5.0$: ± 0.2 mm
 $5.0 < X < 30.0$: ± 0.3 mm
 $X \geq 30.0$: ± 0.5 mm
 unless otherwise noted
 panel thickness: 3.5 mm max



DESCRIPTION	MATERIAL	PLATING/COLOR
base	PA66 (UL94HB)	black
cap	ABS (UL94HB)	see part number key
terminals	brass	gold
nut	brass	nickel



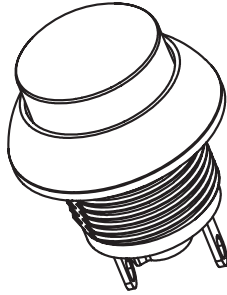
NUT



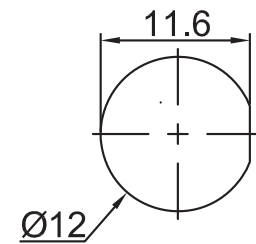
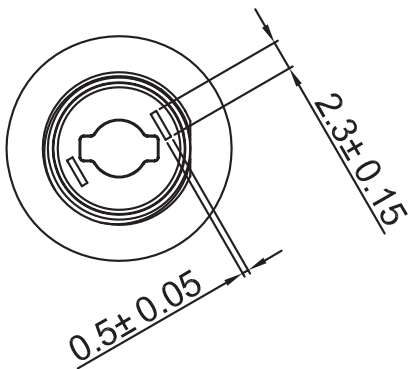
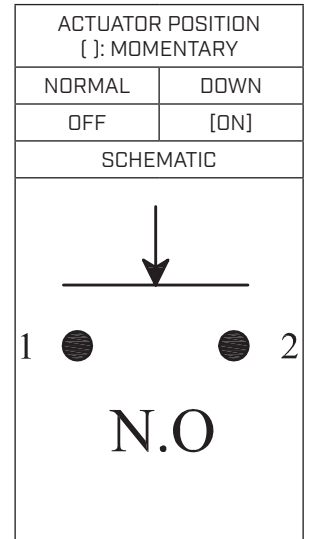
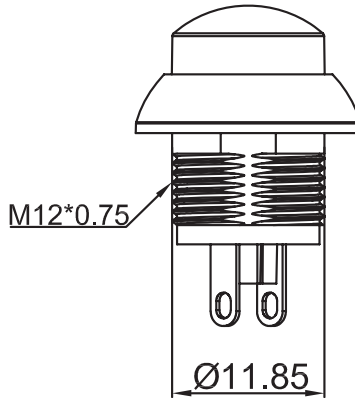
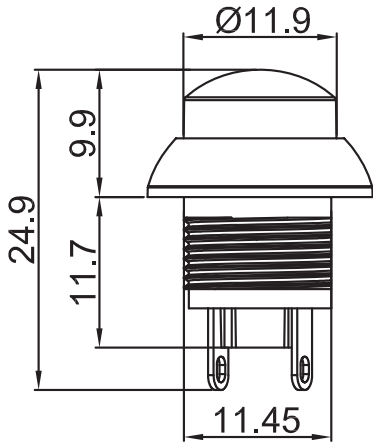
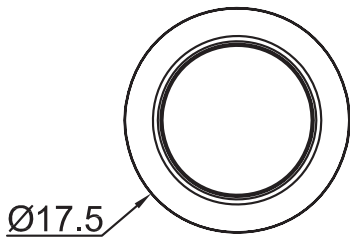
GASKET

MECHANICAL DRAWING (RAISED)

units: mm
 tolerance:
 $X \leq 5.0$: ± 0.2 mm
 $5.0 < X < 30.0$: ± 0.3 mm
 $X \geq 30.0$: ± 0.5 mm
 unless otherwise noted
 panel thickness: 3.5 mm max



DESCRIPTION	MATERIAL	PLATING/COLOR
base	PA66 (UL94HB)	black
cap	ABS (UL94HB)	see part number key
terminals	brass	gold
nut	brass	nickel



Recommended Panel Cutout



NUT



GASKET

REVISION HISTORY

rev.	description	date
1.0	initial release	01/16/2026

The revision history provided is for informational purposes only and is believed to be accurate.



Same Sky offers a one (1) year limited warranty. Complete warranty information is listed on our website.

Same Sky reserves the right to make changes to the product at any time without notice. Information provided by Same Sky is believed to be accurate and reliable. However, no responsibility is assumed by Same Sky for its use, nor for any infringements of patents or other rights of third parties which may result from its use.

Same Sky products are not authorized or warranted for use as critical components in equipment that requires an extremely high level of reliability. A critical component is any component of a life support device or system whose failure to perform can be reasonably expected to cause the failure of the life support device or system, or to affect its safety or effectiveness.

[sameskydevices.com](https://www.sameskydevices.com)