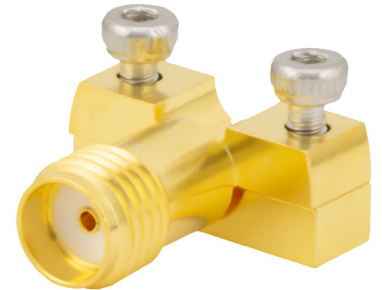




**MODEL:** RF-SMA-TH-RA-F-18-051 | **DESCRIPTION:** RF SMA CONNECTOR

**FEATURES**

- frequency range 0~18 GHz
- character impedance 50 Ω
- SMA connector type
- through hole

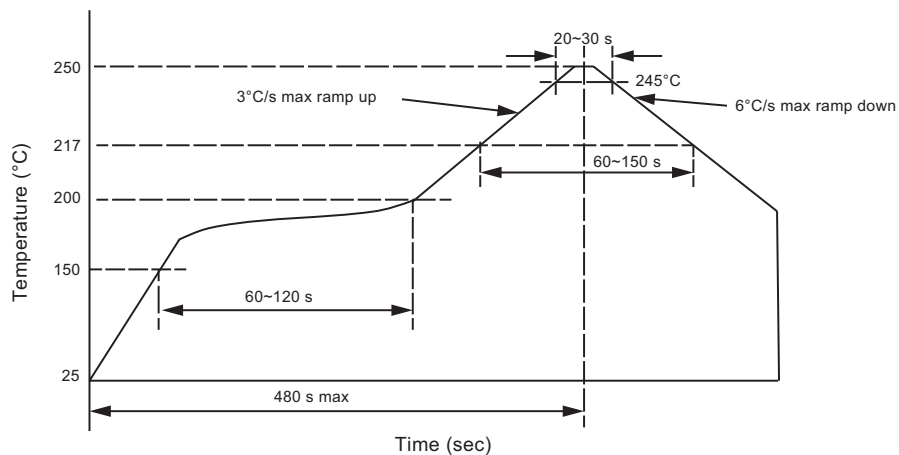


**SPECIFICATIONS**

parameter	conditions/description	min	typ	max	units
impedance			50		Ω
frequency range		0		18	GHz
VSWR				1.25	
working voltage	at sea level		335		Vrms
insulation resistance		5,000			MΩ
contact resistance	center contact outer contact			3 2	mΩ mΩ
dielectric withstand voltage			1,000		V
mating torque		0.3		0.6	N*m
life		500			cycles
operating temperature		-55		165	°C
standards	compliant with MIL-C-39012, CECC 22110/111				
interface	MIL-STD-348				
RoHS	yes				

**SOLDERABILITY**

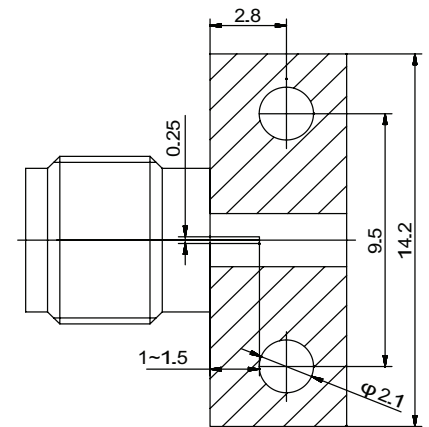
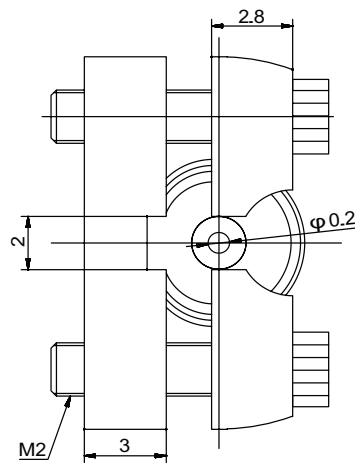
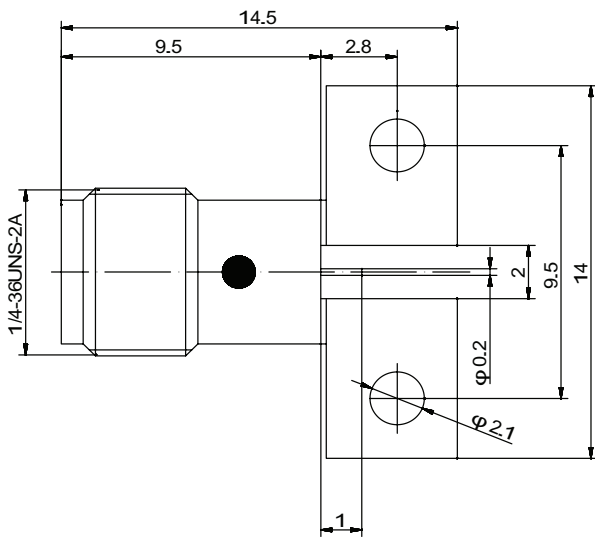
parameter	conditions/description	min	typ	max	units
reflow soldering	see reflow profile		250	260	°C



## MECHANICAL DRAWING

units: mm  
 tolerance:  
 0.5 ≤ X ≤ 8.0: ±0.20 mm  
 8.0 < X < 30.0: ±0.25 mm  
 X ≥ 30.0: ±0.30 mm  
 unless otherwise specified

DESCRIPTION	MATERIAL	PLATING/COLOR
body	brass	gold
insulator	PEI/PTFE [UL94V-0]	white
center contact	beryllium bronze	gold



Recommended PCB Layout  
Top View

## REVISION HISTORY

rev.	description	date
1.0	initial release	02/20/2026

The revision history provided is for informational purposes only and is believed to be accurate.



Same Sky offers a one (1) year limited warranty. Complete warranty information is listed on our website.

Same Sky reserves the right to make changes to the product at any time without notice. Information provided by Same Sky is believed to be accurate and reliable. However, no responsibility is assumed by Same Sky for its use, nor for any infringements of patents or other rights of third parties which may result from its use.

Same Sky products are not authorized or warranted for use as critical components in equipment that requires an extremely high level of reliability. A critical component is any component of a life support device or system whose failure to perform can be reasonably expected to cause the failure of the life support device or system, or to affect its safety or effectiveness.

[sameskydevices.com](https://www.sameskydevices.com)