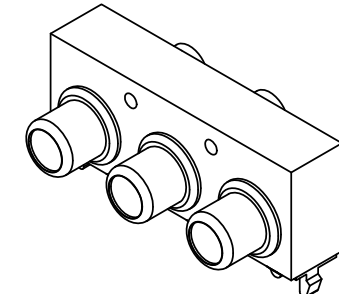
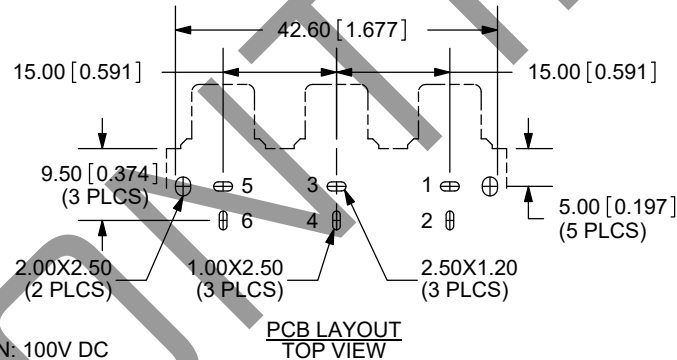
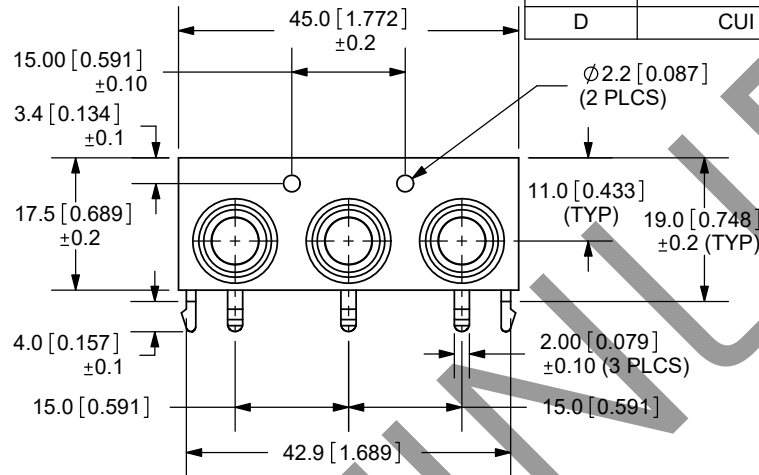
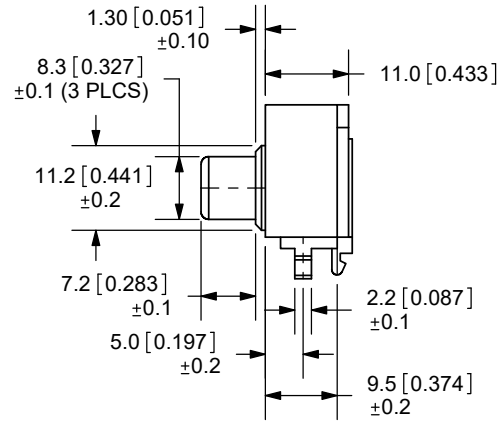


Additional Resources: [Product Page](#)

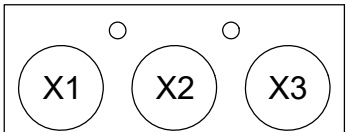
REV.	DESCRIPTION	DATE
A	NEW DRAWING	10/19/2007
B	PCB layout updated	11/9/2010
C	logo, brand update	10/28/2022
D	CUI Devices rebranded to Same Sky	09/12/2024



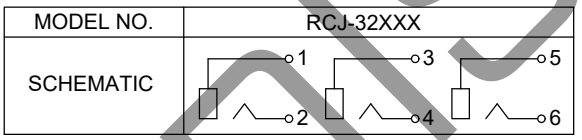
COLOR CHART	
1	Black
2	Red
3	White
4	Yellow
5	Blue
6	Green
7	Orange

SPECIFICATIONS:
 CONTACT RESISTANCE: 30m OHMS MAX
 INSULATION RESISTANCE: 50M OHMS MIN: 100V DC
 VOLTAGE WITHSTAND: 500V AC R.M.S. FOR 1 MINUTE
 LIFE: 5,000 CYCLES
 OPERATING TEMPERATURE: -20°C ~ 85°C (85% RH MAX)
 STORAGE TEMPERATURE: -25°C ~ 85°C (85% RH MAX)

TOLERANCE:
 ±0.3mm UNLESS
 OTHERWISE SPECIFIED



COLOR INDEX			
PART NO.	INPUT X1	INPUT X2	INPUT X3
RCJ-32234	Red Color	White Color	Yellow Color
RCJ-32X1 X2 X3	Color X1	Color X2	Color X3



	MATERIAL	PLATING
TERMINAL	Brass	Nickel
PIN	Brass	Tin
BASE	PA66	Black Color
INPUT X1	PA66	see color index
INPUT X2	PA66	see color index
INPUT X3	PA66	see color index

same sky

6405 SW Rosewood St, Suite C
 Lake Oswego, OR 97035
 Phone: 877-323-3576

Website: www.sameskydevices.com

TITLE: RCA Jack, 3-Port, Rt Angle, PCB Mount, Horiz.	REV: D
PART NO. RCJ-32XXX	UNITS: MM [INCHES]
DRAWN BY: RDS	APPROVED BY:
	SCALE: 1:1

PC FILE NAME:
 RCJ-32XXX

COPYRIGHT 2024 BY SAME SKY