

**MODEL:** IA-MS6335 | **DESCRIPTION:** AUDIO INLINE ADAPTER**FEATURES**

- 3.5 mm stereo to 6.3 mm mono
- hexagonal cover

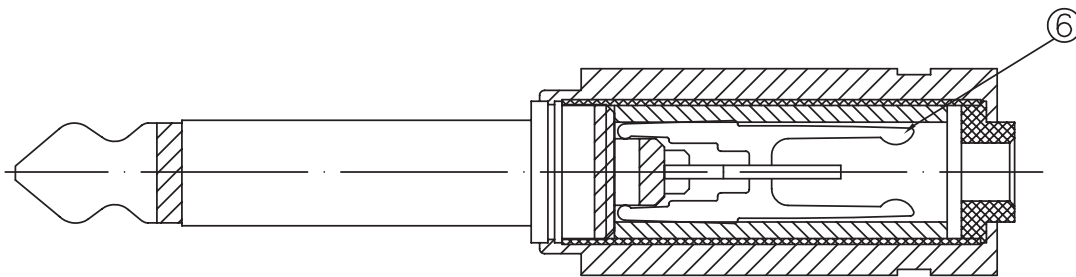
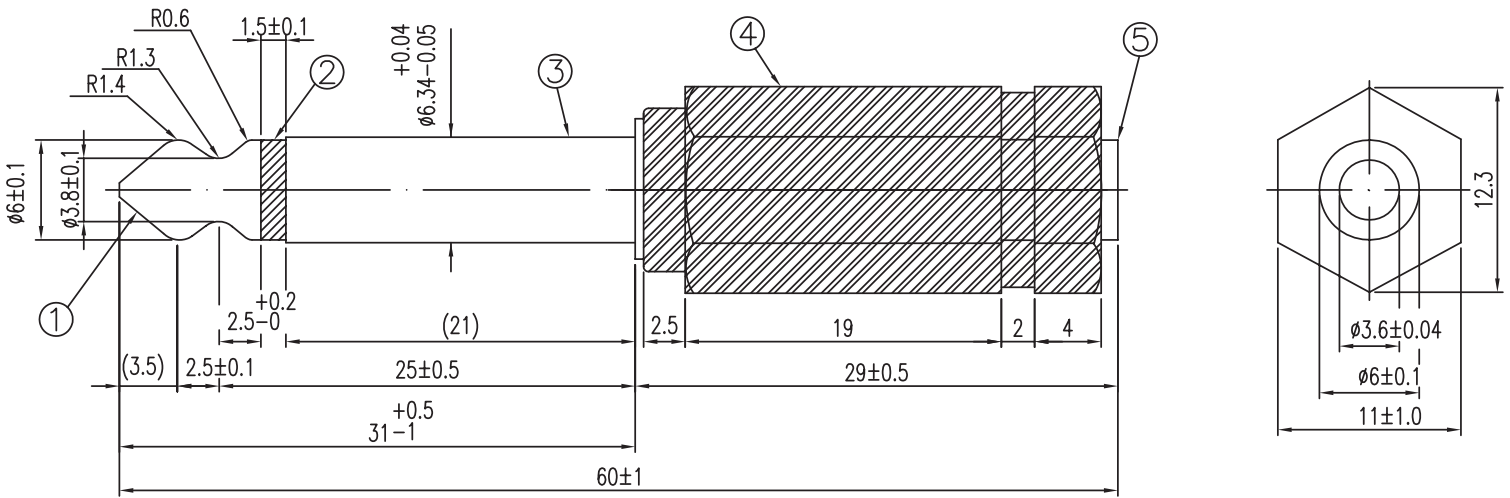
**SPECIFICATIONS**

| parameter | conditions/description | min | typ | max | units |
|-----------------------|----------------------------------|-----|-------|-----|--------------|
| rated input voltage | | | 12 | | Vdc |
| rated input current | | | | 1 | A |
| contact resistance | between plug and jack | | | 1 | Ω |
| insulation resistance | at 300 Vdc | 2 | | | M Ω |
| insertion force | when mating with a standard jack | 0.4 | | 4 | kgf |
| withdrawal force | when mating with a standard jack | 0.4 | | 4 | kgf |
| operating temperature | | -25 | | 70 | $^{\circ}$ C |
| operating humidity | | | | 85 | % |
| life | | | 5,000 | | cycles |
| flammability rating | see material table | | | | |
| RoHS | yes | | | | |

MECHANICAL DRAWING

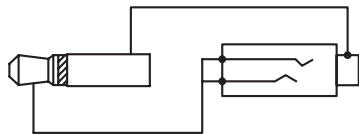
units: mm
 tolerance:
 X≤1.0: ±0.1 mm
 1.0<X≤6.0: ±0.2 mm
 6.0<X≤12.0: ±0.3 mm
 12.0<X≤25.0: ±0.4 mm
 X>25.0: ±0.5 mm
 unless otherwise noted

| ITEM | DESCRIPTION | MATERIAL | PLATING/COLOR |
|------|-----------------------|-------------|---------------|
| 1 | plug tip | brass | nickel |
| 2 | insulator | ABS[UL94HB] | black |
| 3 | plug sleeve | brass | nickel |
| 4 | cover | PVC | black |
| 5 | receptacle sleeve | brass | nickel |
| 6 | receptacle tip & ring | brass | nickel |



Ø6.3 Mono Plug

Ø3.5 Stereo Receptacle



Schematic

REVISION HISTORY

| rev. | description | date |
|------|-----------------------------------|------------|
| 1.0 | initial release | 06/18/2018 |
| 1.01 | brand update | 10/18/2019 |
| 1.02 | logo, datasheet style update | 08/18/2022 |
| 1.03 | CUI Devices rebranded to Same Sky | 09/12/2024 |

The revision history provided is for informational purposes only and is believed to be accurate.



Same Sky offers a one (1) year limited warranty. Complete warranty information is listed on our website.

Same Sky reserves the right to make changes to the product at any time without notice. Information provided by Same Sky is believed to be accurate and reliable. However, no responsibility is assumed by Same Sky for its use, nor for any infringements of patents or other rights of third parties which may result from its use.

Same Sky products are not authorized or warranted for use as critical components in equipment that requires an extremely high level of reliability. A critical component is any component of a life support device or system whose failure to perform can be reasonably expected to cause the failure of the life support device or system, or to affect its safety or effectiveness.

[sameskydevices.com](https://www.sameskydevices.com)