



SERIES: HSS-B20-05 | **DESCRIPTION:** HEAT SINK

FEATURES

- TO-220 package
- available with and without solder pins
- black anodized finish
- aluminum



MODEL

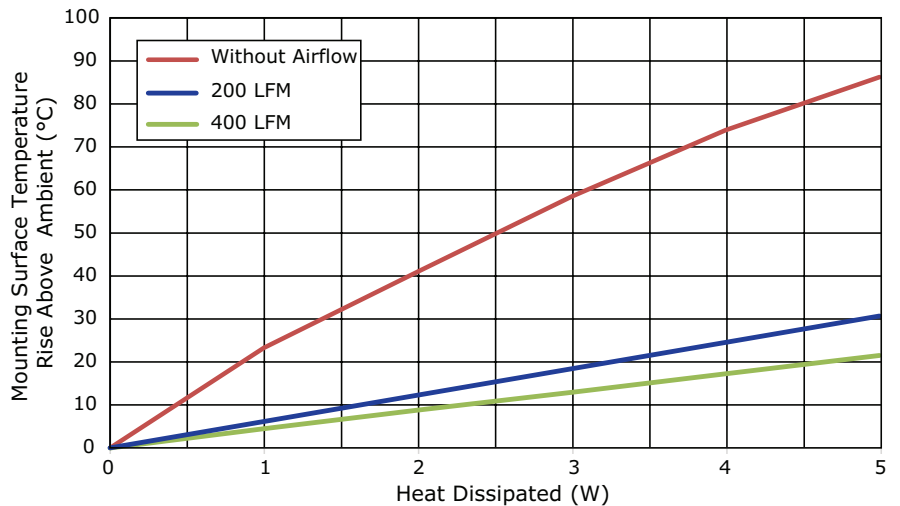
	solder pin		thermal resistance ¹				power dissipation ¹ @ 75°C ΔT, nat conv [W]
	orientation	length [mm]	@ 75°C ΔT, nat conv [°C/W]	@ 1 W, nat conv [°C/W]	@ 1 W, 200 LFM [°C/W]	@ 1 W, 400 LFM [°C/W]	
HSS-B20-095H	horizontal	9.5	18.34	23.32	6.50	4.48	4.09
HSS-B20-NP-15	no pin	--	18.34	23.32	6.50	4.48	4.09

Note: 1. See performance curves for full thermal resistance details.

PERFORMANCE CURVES

Power [W]	Heatsink Temperature Rise Above Ambient (ΔT = Ths - Ta) [°C]		
	Natural Conv.	200 LFM	400 LFM
0	0	0	0
1	23.32	6.50	4.48
2	41.07	12.47	8.78
3	58.53	18.87	12.95
4	73.99	25.00	17.27
5	86.32	30.94	21.52

Ths: "hot spot" temperature measured on the heatsink
Ta: ambient temperature

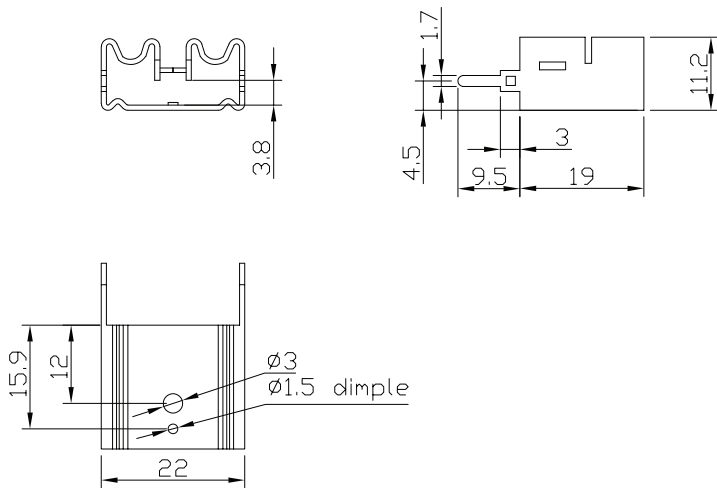


MECHANICAL DRAWING

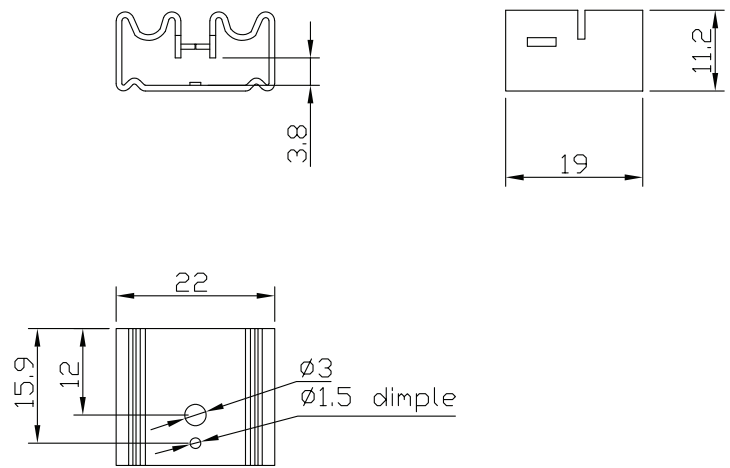
units: mm
tolerance: ±0.5 mm

MATERIAL	AL5052
FINISH	black anodized
THICKNESS	0.8 mm
WEIGHT	HSS-B20-095H: 2.9 g HSS-B20-NP-15: 2.9 g

HSS-B20-095H



HSS-B20-NP-15



REVISION HISTORY

rev.	description	date
1.0	initial release	03/29/2017
1.01	brand update	02/12/2020
1.02	logo, datasheet style update	08/05/2022
1.03	updated drawings	02/02/2023
1.04	CUI Devices rebranded to Same Sky	09/12/2024

The revision history provided is for informational purposes only and is believed to be accurate.



Same Sky offers a one (1) year limited warranty. Complete warranty information is listed on our website.

Same Sky reserves the right to make changes to the product at any time without notice. Information provided by Same Sky is believed to be accurate and reliable. However, no responsibility is assumed by Same Sky for its use, nor for any infringements of patents or other rights of third parties which may result from its use.

Same Sky products are not authorized or warranted for use as critical components in equipment that requires an extremely high level of reliability. A critical component is any component of a life support device or system whose failure to perform can be reasonably expected to cause the failure of the life support device or system, or to affect its safety or effectiveness.

[sameskydevices.com](https://www.sameskydevices.com)