

**MODEL:** GA0381 | **DESCRIPTION:** SPEAKER**FEATURES**

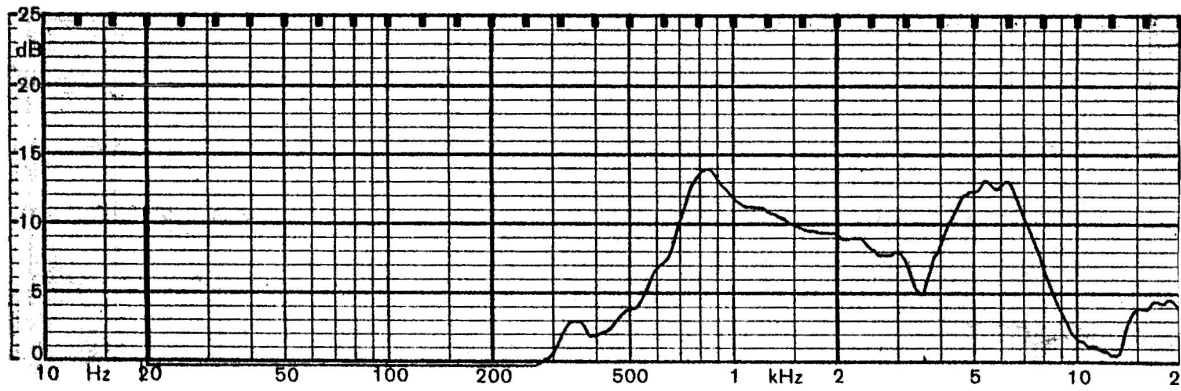
- 38 mm round frame
- 0.1 W, 8 Ohm
- AlNiCo magnet
- paper Cone

**SPECIFICATIONS**

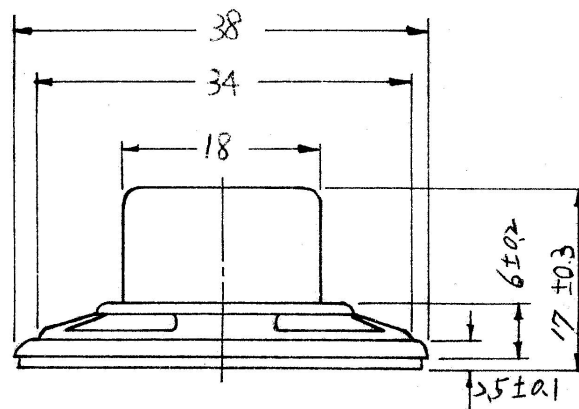
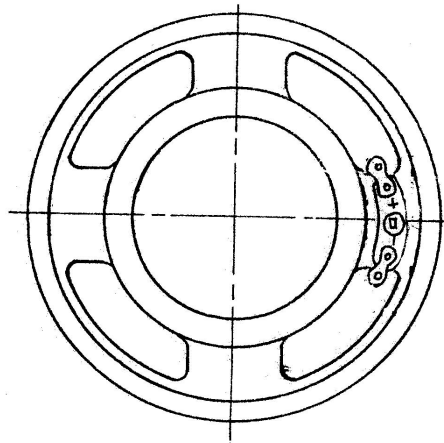
parameter	conditions/description	min	nom	max	units
nominal size	38 mm				
impedance	at 800 Hz, 1 V	6.8	8	9.2	Ω
resonant frequency	at 1 V	640	800	960	Hz
sound pressure level	0.1 W, 50 cm ave., at 1, 1.3, 1.5, 1.7k Hz	77	80	83	dB
response	10 dB max.	Fo		8,500	Hz
input power			0.1	0.3	W
operation	must be normal at program source		0.1		W
buzz, rattle, etc.	must be normal at sine wave		0.89		V dc
magnet	size: 13 x 10 mm				
load test	5 hours of white noise at		0.1		W
heat test	20 ~ 50% RH for 5 hours	68	70	72	$^{\circ}\text{C}$
humidity test	90 ~ 95% RH for 5 hours	38	40	42	$^{\circ}\text{C}$
RoHS	yes				

FREQUENCY RESPONSE CURVE

parameter	conditions/description
potentiometer range	50 dB
rectifier	RMS
lower limit frequency	20 Hz
wr. speed	100 mm/sec
zero level	60 dB



MECHANICAL DRAWING



REVISION HISTORY

rev.	description	date
1.0	initial release	09/28/2006
1.01	logo, datasheet style update	08/05/2022
1.02	CUI Devices rebranded to Same Sky	09/11/2024

The revision history provided is for informational purposes only and is believed to be accurate.



Same Sky offers a one (1) year limited warranty. Complete warranty information is listed on our website.

Same Sky reserves the right to make changes to the product at any time without notice. Information provided by Same Sky is believed to be accurate and reliable. However, no responsibility is assumed by Same Sky for its use, nor for any infringements of patents or other rights of third parties which may result from its use.

Same Sky products are not authorized or warranted for use as critical components in equipment that requires an extremely high level of reliability. A critical component is any component of a life support device or system whose failure to perform can be reasonably expected to cause the failure of the life support device or system, or to affect its safety or effectiveness.

sameskydevices.com