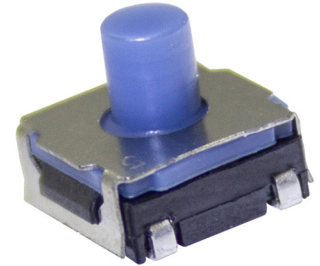




SERIES: TS44 | **DESCRIPTION:** TACTILE SWITCH

FEATURES

- IP67
- white and blue actuator



SPECIFICATIONS

parameter	conditions/description	min	typ	max	units
rated voltage		1		12	Vdc
rated current		1		50	mA
withstanding voltage	for 1 minute		250		Vac
contact resistance	applying load of 2 times operating force at 5 Vdc, 10 mA			100	mΩ
insulation resistance	at 100 Vdc for 1 minute	100			MΩ
operating force	TS44-6262-51-WT-200-SMT-TR-67 model	150	200	250	gf
	TS44-6262-34-WT-260-SMT-TR-67 model	210	260	310	gf
	TS44-6262-34-WT-350-SMT-TR-67 model	270	350	430	gf
	TS44-6262-51-BL-350-SMT-TR-67 model	250	350	450	gf
return force		20			gf
actuator travel	TS44-6262-51-WT-200-SMT-TR-67 model	0.25	0.50	0.75	mm
	TS44-6262-34-WT-260-SMT-TR-67 model	0.20	0.35	0.50	mm
	TS44-6262-34-WT-350-SMT-TR-67 model	0.20	0.40	0.60	mm
	TS44-6262-51-BL-350-SMT-TR-67 model	0.35	0.55	0.75	mm
operating temperature		-40		85	°C
storage temperature		-40		90	°C
life	5 Vdc, 5 mA, 1 cycle/second, max operating force		100,000		cycles
vibration	10-55-10 Hz, 1.5 mm amplitude, 2 hours on each XYZ				
flammability rating	see material table				
RoHS	yes				
IP level	IP67				

PART NUMBER KEY

TS44 - 6262 - XX - XX - XXX - SMT - TR - 67

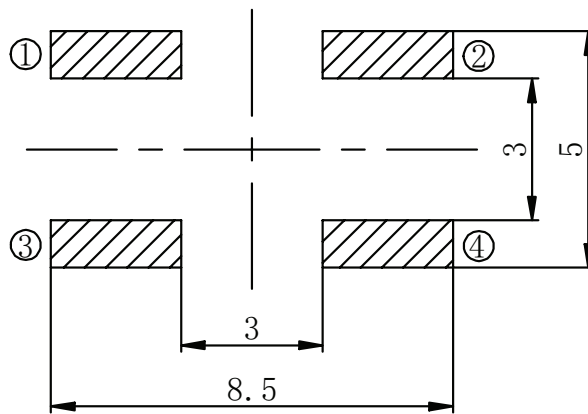
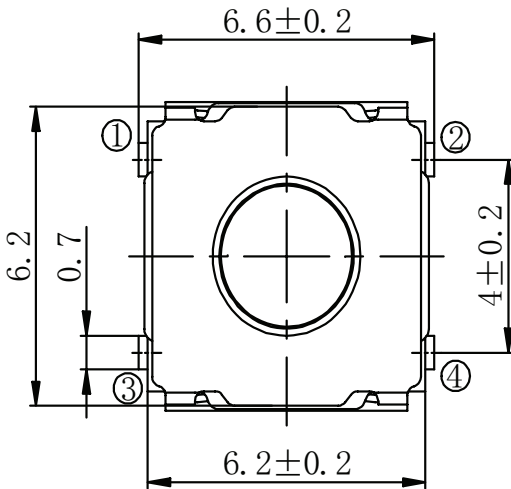
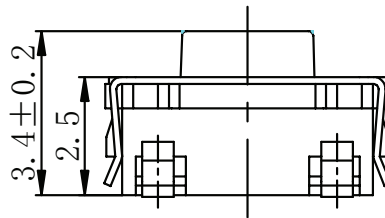
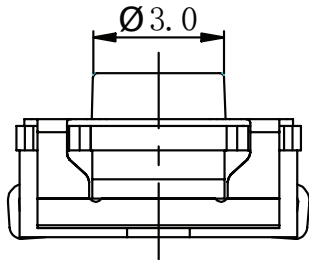
- Base Number
- Actuator Height above PCB:
34 = 3.4 mm
51 = 5.1 mm
- Actuator Color:
BL = blue
WT = white
- Push Force:
200* = 200 gf
260* = 260 gf
350 = 350 gf

Note: * 200 & 260 gf models only available with white actuator.

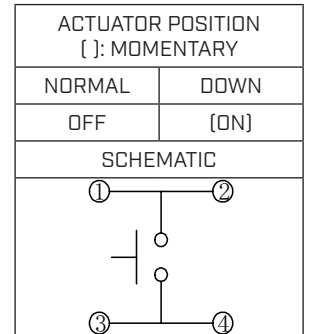
MECHANICAL DRAWING (3.4 MM ACTUATOR HEIGHT MODELS)

units: mm
 tolerance: ± 0.2 mm
 unless otherwise noted

DESCRIPTION	MATERIAL	PLATING/COLOR
terminals	brass	silver
housing	PPS (UL94V-0)	black
contacts	SUS	silver
cover	SUS	--
stem	silicone	white



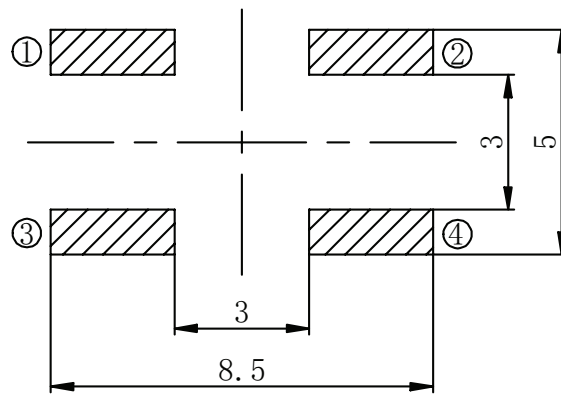
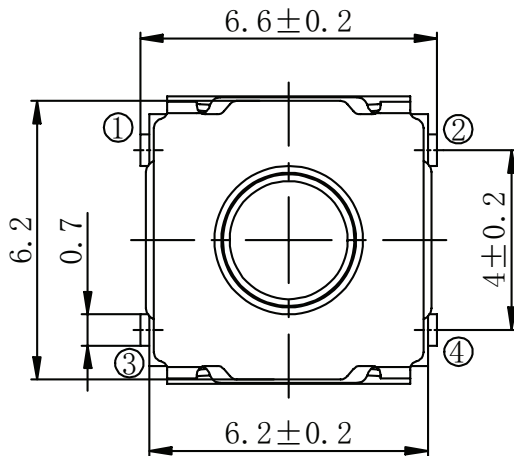
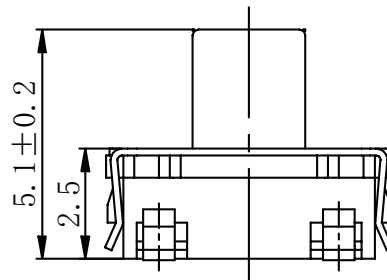
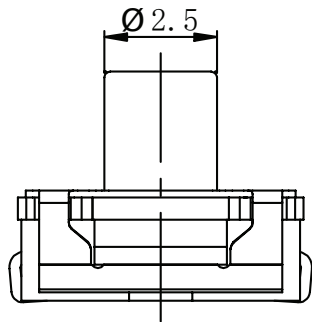
Recommended PCB Layout
 Top View



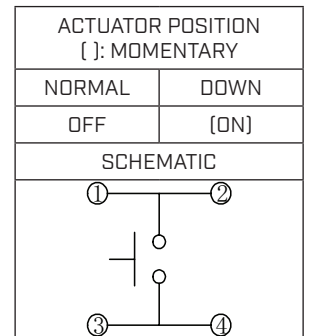
MECHANICAL DRAWING (5.1 MM ACTUATOR HEIGHT MODELS)

units: mm
 tolerance: ± 0.2 mm
 unless otherwise noted

DESCRIPTION	MATERIAL	PLATING/COLOR
terminals	brass	silver
housing	PPS (UL94V-0)	black
contacts	SUS	silver
cover	SUS	--
stem	silicone	white or blue

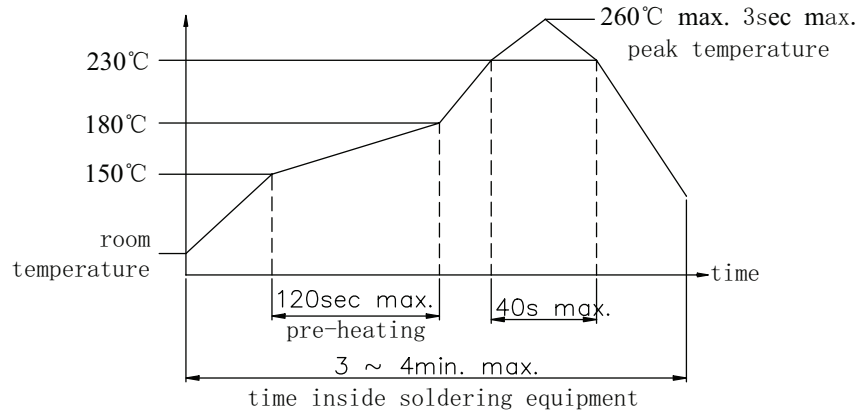


Recommended PCB Layout
 Top View



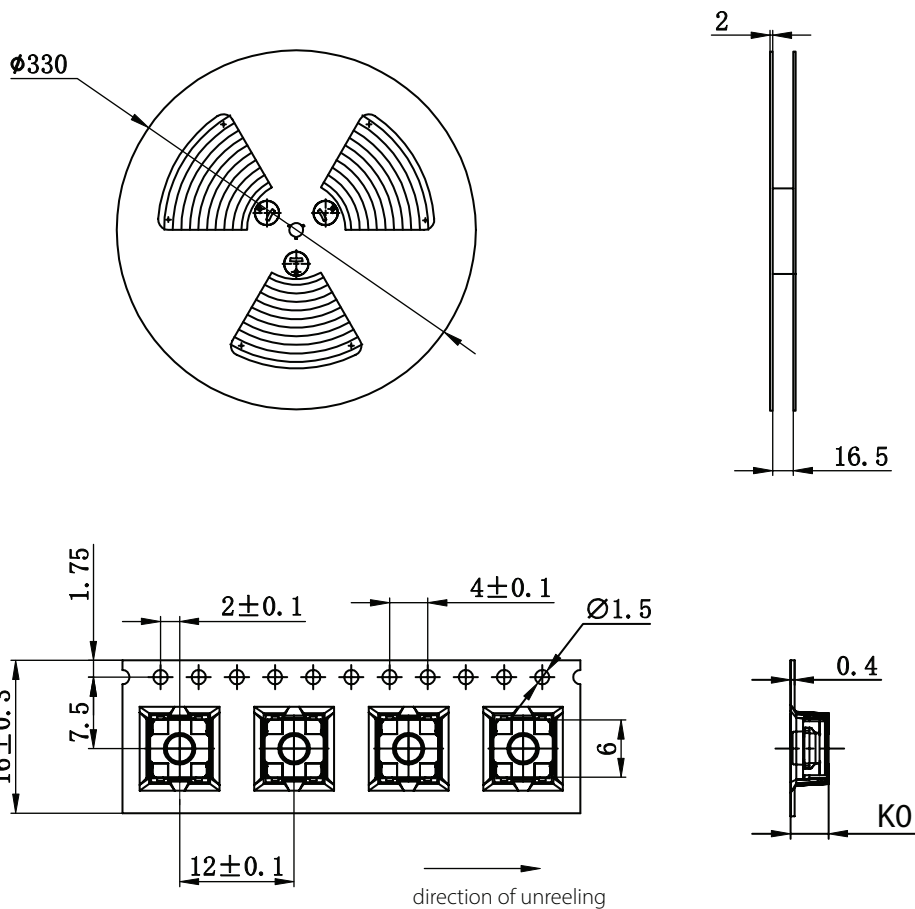
SOLDERABILITY

parameter	conditions/description	min	typ	max	units
hand soldering	for maximum 3 seconds			350	°C
reflow soldering	see reflow profile			260	°C



PACKAGING

Actuator Height Models (mm)	Reel Size (mm)	Reel Qty	KD
3.4	Ø330	1,300	4.0 mm
5.1	Ø330	900	5.5 mm



REVISION HISTORY

rev.	description	date
1.0	initial release	11/20/2025

The revision history provided is for informational purposes only and is believed to be accurate.



Same Sky offers a one (1) year limited warranty. Complete warranty information is listed on our website.

Same Sky reserves the right to make changes to the product at any time without notice. Information provided by Same Sky is believed to be accurate and reliable. However, no responsibility is assumed by Same Sky for its use, nor for any infringements of patents or other rights of third parties which may result from its use.

Same Sky products are not authorized or warranted for use as critical components in equipment that requires an extremely high level of reliability. A critical component is any component of a life support device or system whose failure to perform can be reasonably expected to cause the failure of the life support device or system, or to affect its safety or effectiveness.

[sameskydevices.com](https://www.sameskydevices.com)