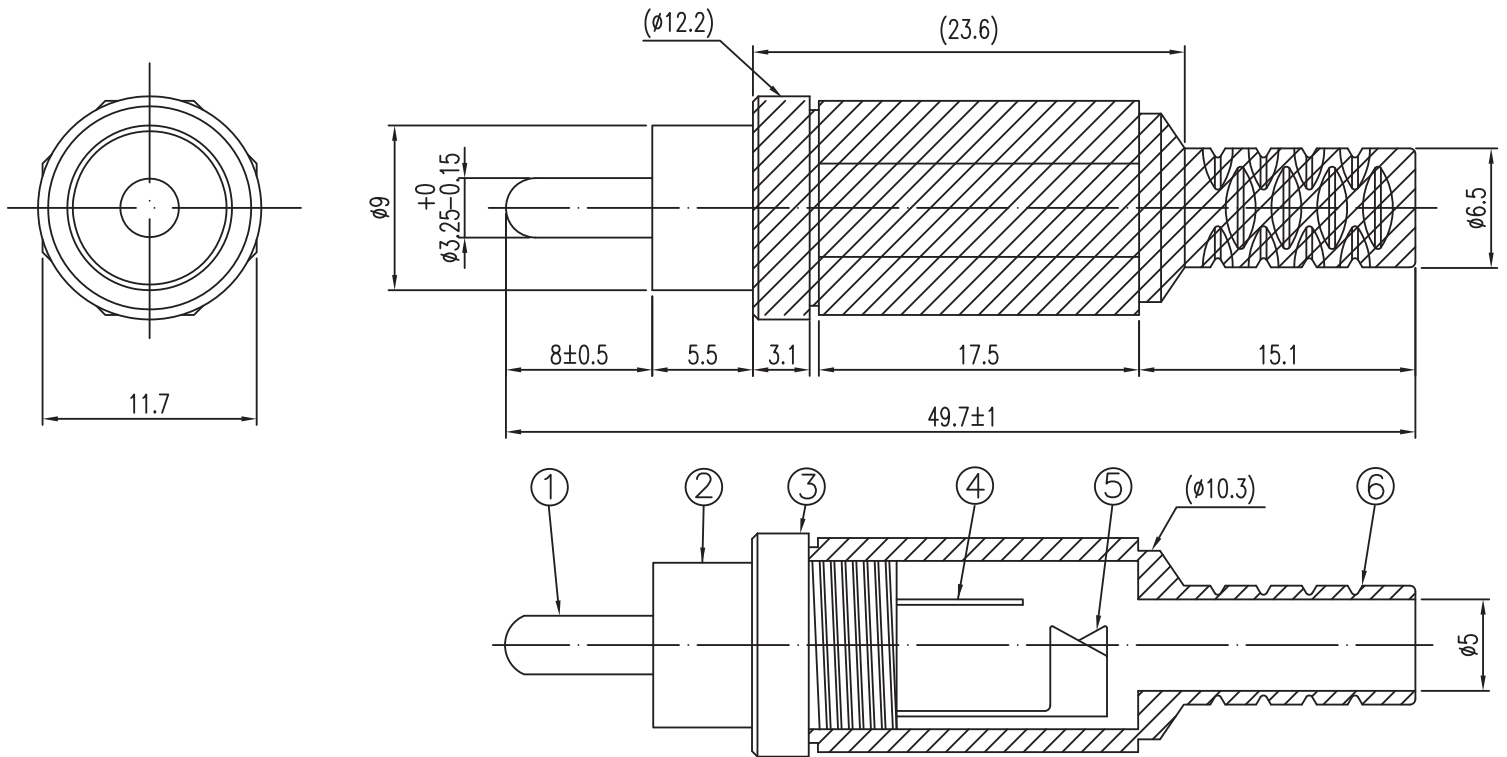




## MECHANICAL DRAWING

units: mm  
 0 ≤ 1.00: ±0.10 mm  
 1 < X ≤ 6.00: ±0.20 mm  
 6.00 < X ≤ 12.00: ±0.30 mm  
 12.00 < X ≤ 25.00: ±0.40 mm  
 > 25.00: ±0.5 mm  
 unless otherwise noted

ITEM	DESCRIPTION	MATERIAL	PLATING/COLOR
1	center pin	brass C3601	nickel
2	outer sleeve	brass C2680	nickel
3	insulator	ABS (UL94HB)	see color code
4	center pin solder terminal	brass C2680	nickel
5	clamp	brass C2680	nickel
6	cover	PE	see color code



## REVISION HISTORY

rev.	description	date
1.0	initial release	05/16/2006
1.01	brand update	06/11/2020
1.02	logo, datasheet style update	11/21/2022
1.03	CUI Devices rebranded to Same Sky	09/12/2024
1.04	factory location change, discontinued white, yellow, blue, green, and orange models	04/13/2026

The revision history provided is for informational purposes only and is believed to be accurate.



Same Sky offers a one (1) year limited warranty. Complete warranty information is listed on our website.

Same Sky reserves the right to make changes to the product at any time without notice. Information provided by Same Sky is believed to be accurate and reliable. However, no responsibility is assumed by Same Sky for its use, nor for any infringements of patents or other rights of third parties which may result from its use.

Same Sky products are not authorized or warranted for use as critical components in equipment that requires an extremely high level of reliability. A critical component is any component of a life support device or system whose failure to perform can be reasonably expected to cause the failure of the life support device or system, or to affect its safety or effectiveness.

[sameskydevices.com](https://www.sameskydevices.com)