



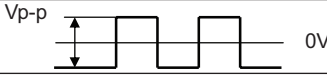
MODEL: CPT-5115-12TH | **DESCRIPTION:** PIEZO BUZZER TRANSDUCER

FEATURES

- no driving circuit
- piezo
- 105dB @ 0.1m



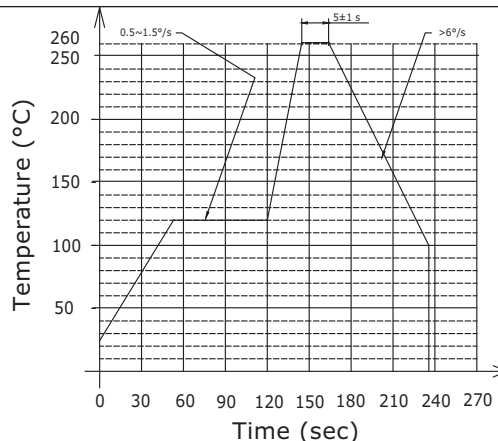
SPECIFICATIONS

parameter	conditions/description	min	typ	max	units
rated voltage	Vp-p 		12		Vp-p
operating voltage		1		60	Vp-p
current consumption	at rated voltage, 3,500 Hz, ½ duty square wave			15	mA
rated frequency		2,000	3,500	4,000	Hz
sound pressure level	at 10 cm, rated voltage, 3,500 Hz, ½ duty square wave	105			dB
electrostatic capacitance	at 120 Hz	49,000	70,000	91,000	pF
dimensions	∅51.5 x 15.2				mm
weight			14.0		g
material	PA6 (black)				
terminal	pins (copper with tin plating)				
operating temperature		-40		85	°C
storage temperature		-40		85	°C
washable	no				
RoHS	yes				

Notes: 1. All specifications measured at 25±3°C, humidity at 60-70%, under 86-106 kPa pressure, unless otherwise noted.

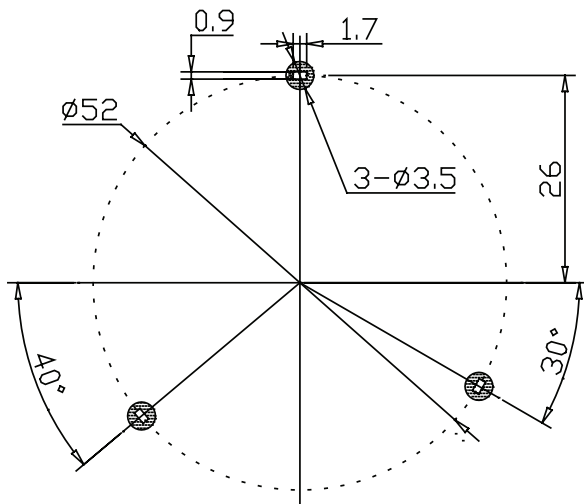
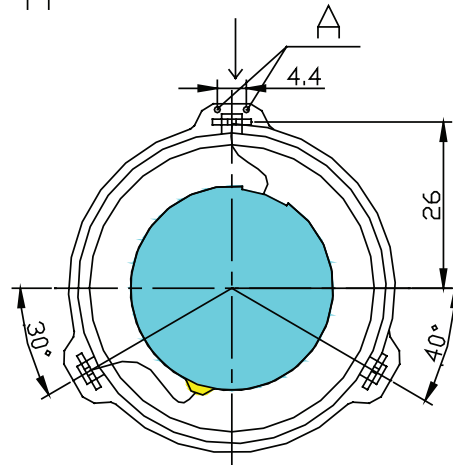
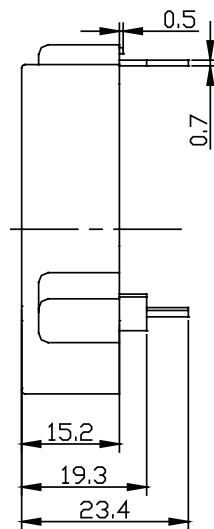
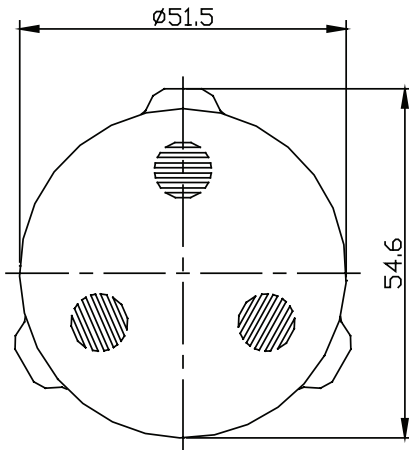
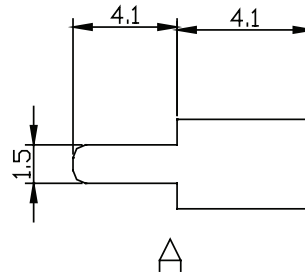
SOLDERABILITY

parameter	conditions/description	min	typ	max	units
wave soldering	see wave soldering profile			260	°C



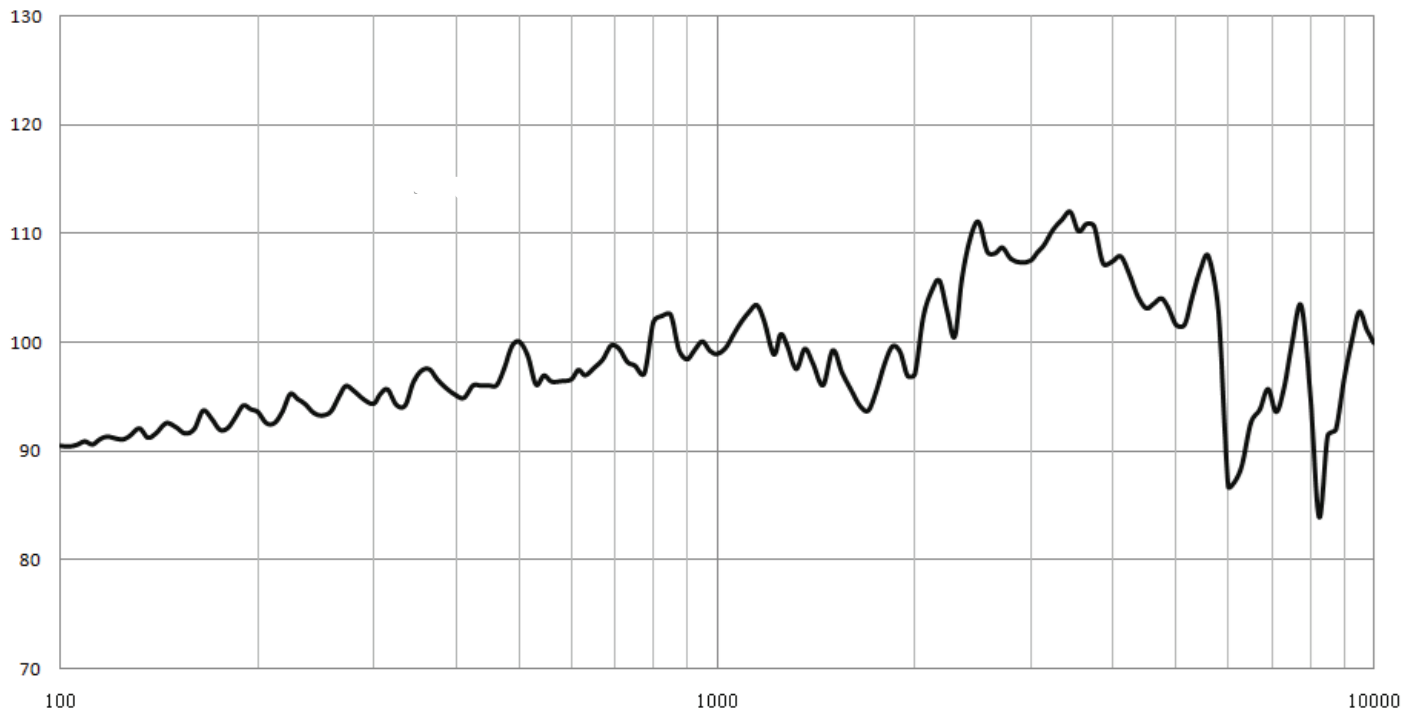
MECHANICAL DRAWING

units: mm
tolerance: ± 0.5 mm



Recommended PCB Layout
Top View

FREQUENCY RESPONSE CURVE



REVISION HISTORY

rev.	description	date
1.0	initial release	03/20/2026

The revision history provided is for informational purposes only and is believed to be accurate.



Same Sky offers a one (1) year limited warranty. Complete warranty information is listed on our website.

Same Sky reserves the right to make changes to the product at any time without notice. Information provided by Same Sky is believed to be accurate and reliable. However, no responsibility is assumed by Same Sky for its use, nor for any infringements of patents or other rights of third parties which may result from its use.

Same Sky products are not authorized or warranted for use as critical components in equipment that requires an extremely high level of reliability. A critical component is any component of a life support device or system whose failure to perform can be reasonably expected to cause the failure of the life support device or system, or to affect its safety or effectiveness.

[sameskydevices.com](https://www.sameskydevices.com)