



MODEL: CPT-1604-10L100 | **DESCRIPTION:** PIEZO BUZZER TRANSDUCER

FEATURES

- no driving circuit
- piezo
- lead wire



SPECIFICATIONS

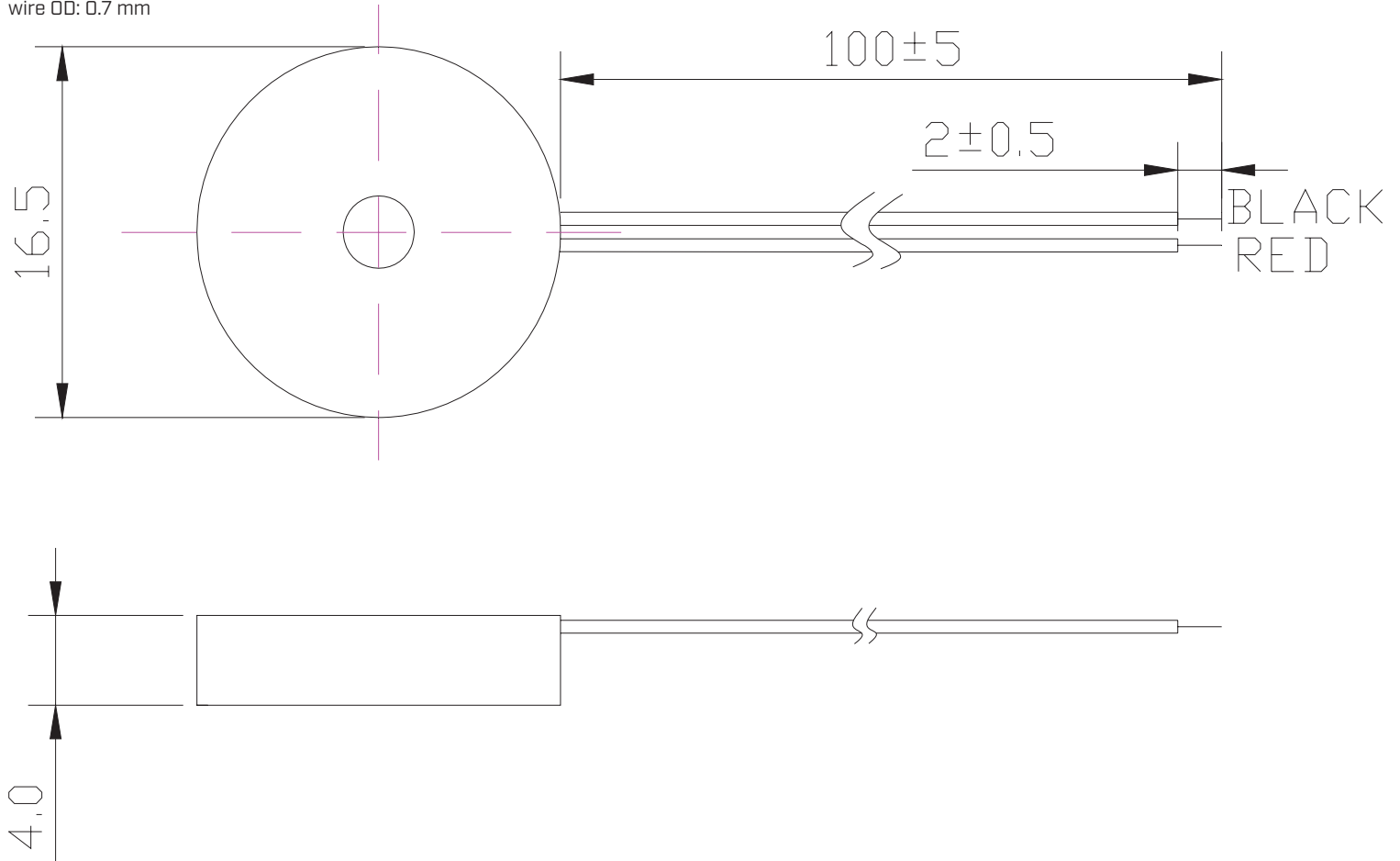
parameter	conditions/description	min	typ	max	units
rated voltage			10		Vp-p
operating voltage				30	Vp-p
current consumption	at rated voltage, 5,200 Hz, ½ duty square wave			9	mA
rated frequency			5,200		Hz
sound pressure level	at 10 cm, rated voltage, 5,200 Hz, ½ duty square wave	80			dB
electrostatic capacitance	at 100 Hz/1 V	11,200	16,000	20,800	pF
dimensions	∅16.5 x 4.0				mm
weight			0.8		g
material	ABS (black)				
terminal	lead wire				
operating temperature		-20		70	°C
storage temperature		-30		70	°C
washable	no				
RoHS	yes				

Notes: 1. All specifications measured at +5-+35°C, humidity at 45-85%, under 86-106 kPa pressure, unless otherwise noted.

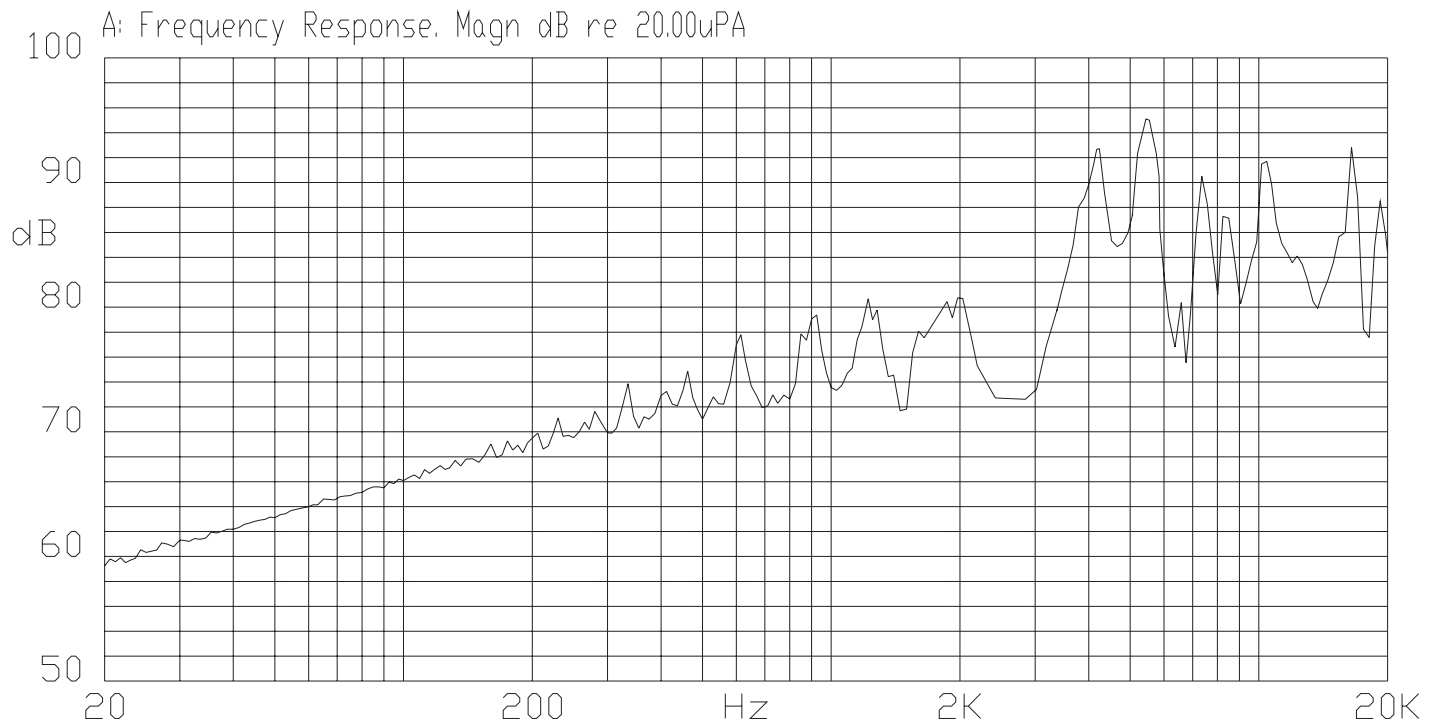
MECHANICAL DRAWING

units: mm
tolerance: ± 0.5 mm

wire: UL 1571 30 AWG
wire OD: 0.7 mm



FREQUENCY RESPONSE CURVE



REVISION HISTORY

rev.	description	date
1.0	initial release	07/22/2025

The revision history provided is for informational purposes only and is believed to be accurate.



Same Sky offers a one (1) year limited warranty. Complete warranty information is listed on our website.

Same Sky reserves the right to make changes to the product at any time without notice. Information provided by Same Sky is believed to be accurate and reliable. However, no responsibility is assumed by Same Sky for its use, nor for any infringements of patents or other rights of third parties which may result from its use.

Same Sky products are not authorized or warranted for use as critical components in equipment that requires an extremely high level of reliability. A critical component is any component of a life support device or system whose failure to perform can be reasonably expected to cause the failure of the life support device or system, or to affect its safety or effectiveness.

[sameskydevices.com](https://www.sameskydevices.com)