



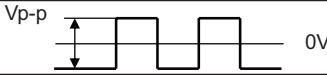
**MODEL:** CPT-1407-5TH | **DESCRIPTION:** PIEZO BUZZER TRANSDUCER

**FEATURES**

- no driving circuit
- piezo
- through hole



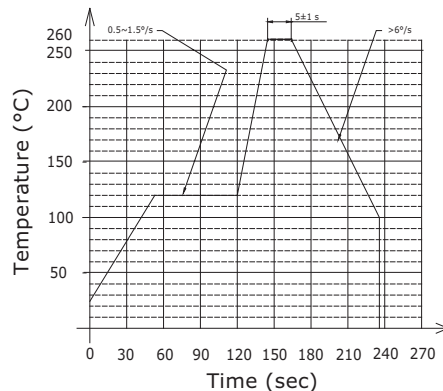
**SPECIFICATIONS**

parameter	conditions/description	min	typ	max	units
rated voltage	Vp-p 		5		Vp-p
operating voltage				30	Vp-p
current consumption	at rated voltage, 4,000 Hz, ½ duty square wave			5	mA
rated frequency			4,000		Hz
sound pressure level	at 10 cm, rated voltage, 4,000 Hz, ½ duty square wave	85			dB
tone	single				
electrostatic capacitance	at 120 Hz	8,400	12,000	15,600	pF
dimensions	Ø14 x 7				mm
weight			0.8		g
material	PBT (black)				
terminal	pins (phosphor bronze with tin plating)				
operating temperature		-20		80	°C
storage temperature		-30		80	°C
washable	no				
RoHS	yes				

Notes: 1. All specifications measured at 25±3°C, humidity at 60-70%, under 86-106 kPa pressure, unless otherwise noted.

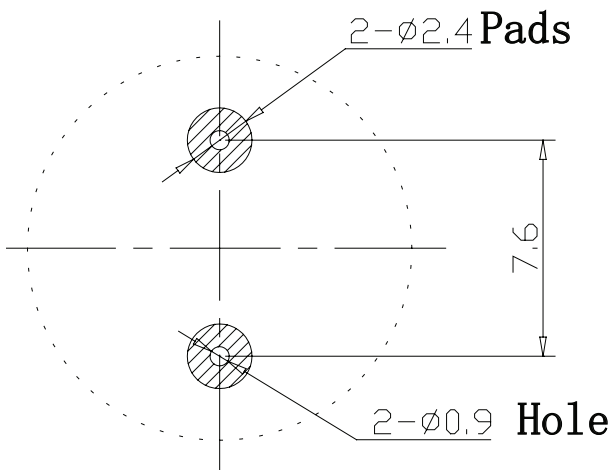
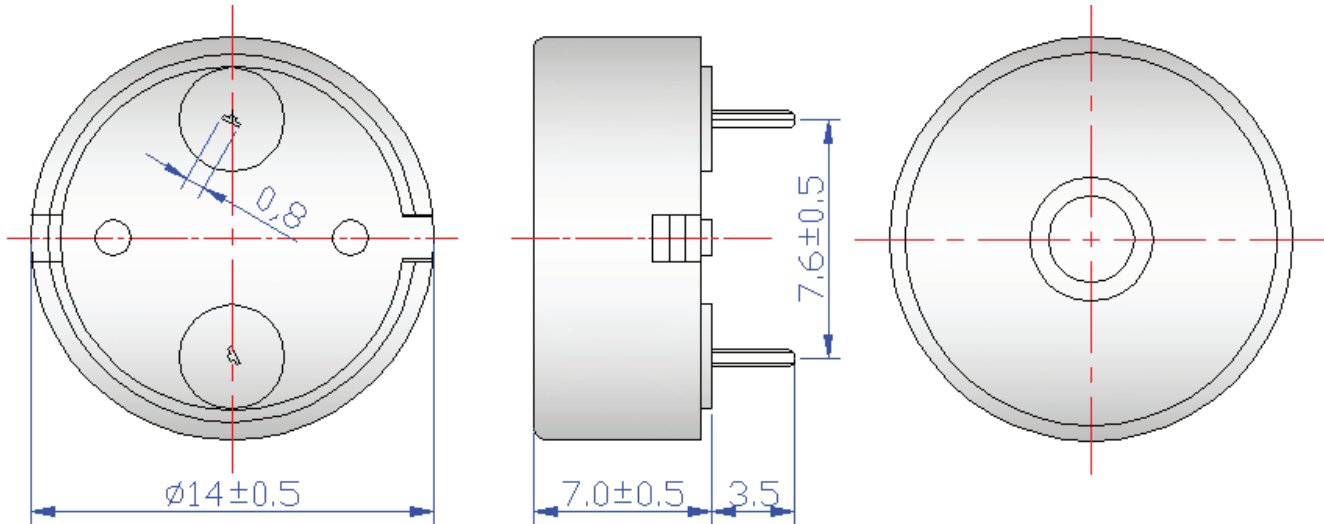
**SOLDERABILITY**

parameter	conditions/description	min	typ	max	units
wave soldering	see wave soldering profile			260	°C



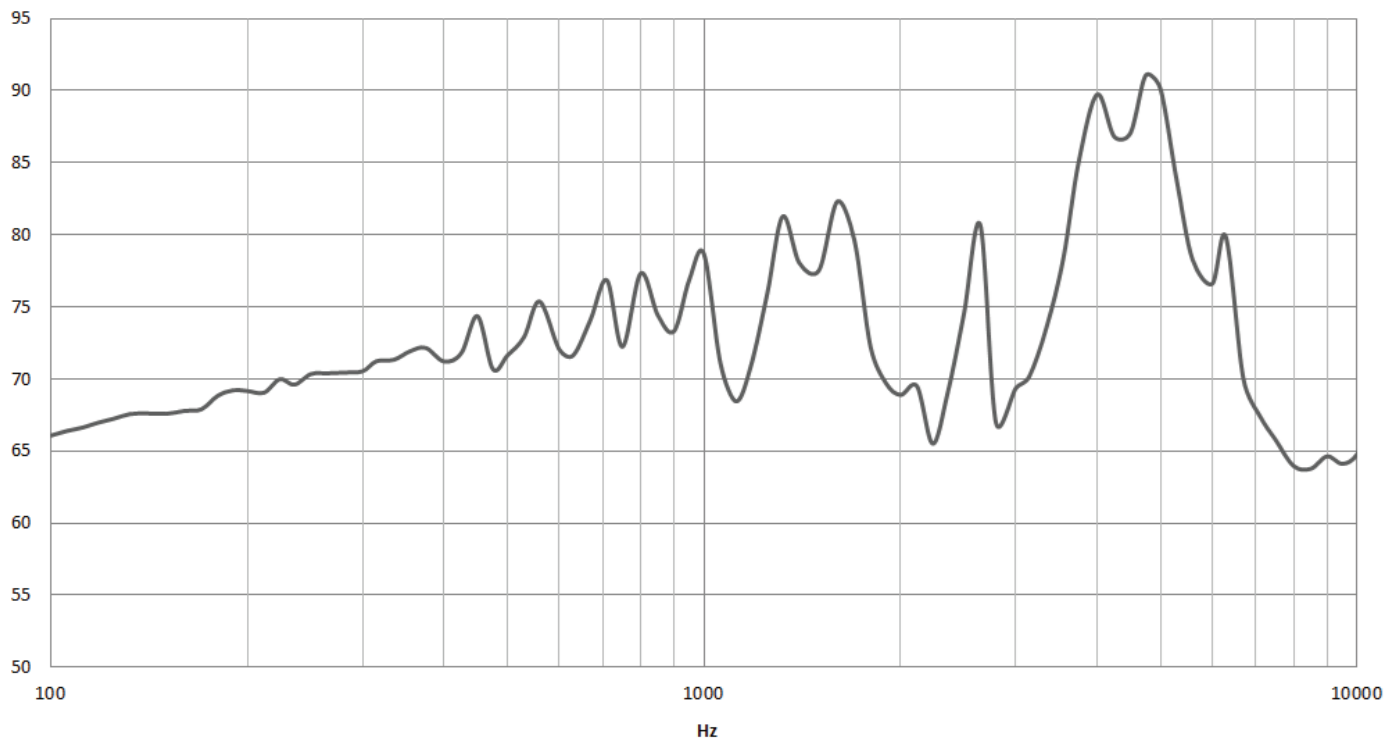
## MECHANICAL DRAWING

units: mm  
tolerance:  $\pm 0.5$  mm



Recommended PCB Layout  
Top View

## FREQUENCY RESPONSE CURVE



## REVISION HISTORY

rev.	description	date
1.0	initial release	03/23/2026

The revision history provided is for informational purposes only and is believed to be accurate.



Same Sky offers a one (1) year limited warranty. Complete warranty information is listed on our website.

Same Sky reserves the right to make changes to the product at any time without notice. Information provided by Same Sky is believed to be accurate and reliable. However, no responsibility is assumed by Same Sky for its use, nor for any infringements of patents or other rights of third parties which may result from its use.

Same Sky products are not authorized or warranted for use as critical components in equipment that requires an extremely high level of reliability. A critical component is any component of a life support device or system whose failure to perform can be reasonably expected to cause the failure of the life support device or system, or to affect its safety or effectiveness.

[sameskydevices.com](https://www.sameskydevices.com)