

MODEL: CPI-3120-12L200 | **DESCRIPTION:** PIEZO BUZZER INDICATOR**FEATURES**

- driving circuit
- piezo
- 110 dB @ 0.1m

**SPECIFICATIONS**

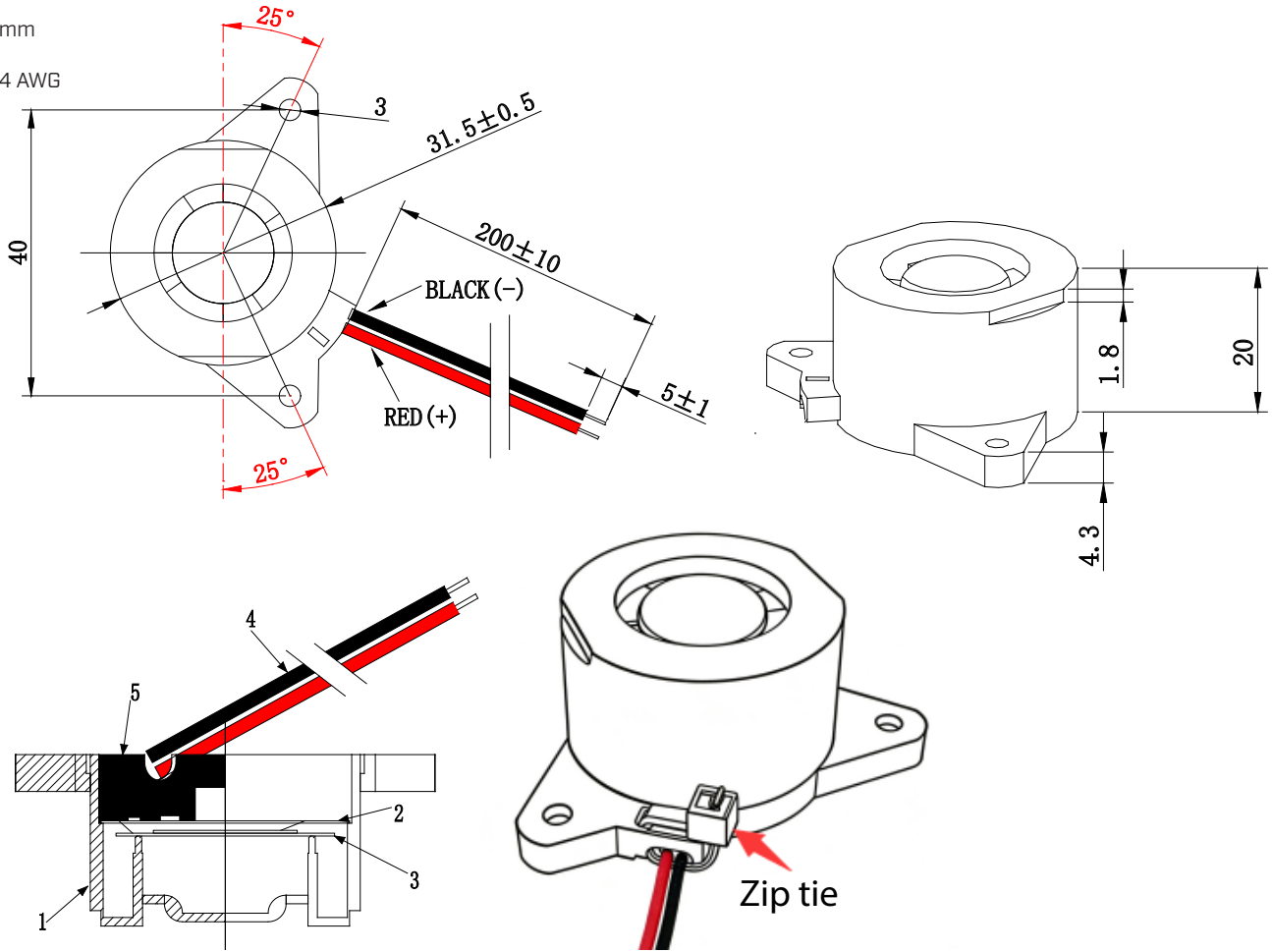
parameter	conditions/description	min	typ	max	units
rated voltage			12		Vdc
operating voltage		5		20	Vdc
current consumption	at rated voltage			60	mA
rated frequency		3,100	3,400	3,700	Hz
sound pressure level	at 10 cm, rated voltage	110	115		dB
tone	single				
dimensions	∅31.5 x 20.0				mm
weight			34.0		g
material	noryl (black)				
terminal	wire leads				
operating temperature		-40		85	°C
storage temperature		-40		85	°C
washable	no				
RoHS	yes				

Notes: 1. All specifications measured at 25±3°C, humidity at 60-70%, under 86-106 kPa pressure, unless otherwise noted.

MECHANICAL DRAWING

units: mm
tolerance: ± 0.5 mm

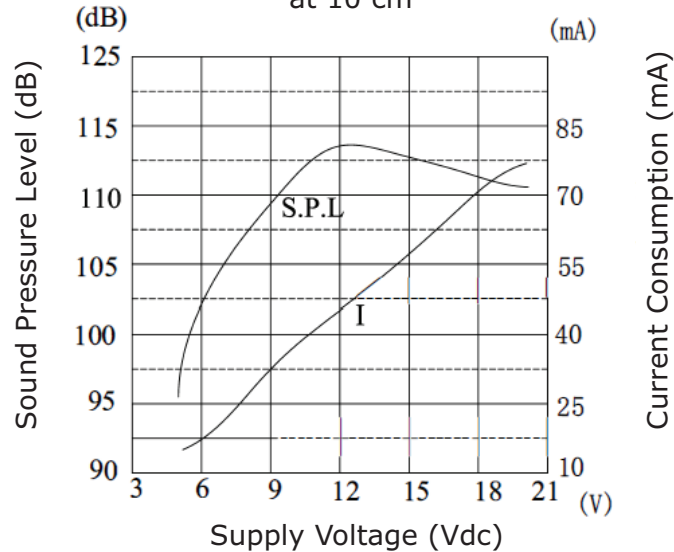
wire: UL 1007, 24 AWG



PERFORMANCE CURVES

SPL: Voltage vs. Sound Pressure Level
I: Voltage vs. Current Consumption

at 10 cm



REVISION HISTORY

rev.	description	date
1.0	initial release	03/20/2026
1.01	updated mechanical drawing	03/26/2026

The revision history provided is for informational purposes only and is believed to be accurate.



Same Sky offers a one (1) year limited warranty. Complete warranty information is listed on our website.

Same Sky reserves the right to make changes to the product at any time without notice. Information provided by Same Sky is believed to be accurate and reliable. However, no responsibility is assumed by Same Sky for its use, nor for any infringements of patents or other rights of third parties which may result from its use.

Same Sky products are not authorized or warranted for use as critical components in equipment that requires an extremely high level of reliability. A critical component is any component of a life support device or system whose failure to perform can be reasonably expected to cause the failure of the life support device or system, or to affect its safety or effectiveness.

[sameskydevices.com](https://www.sameskydevices.com)