

**MODEL:** CPG-44-TH-TR | **DESCRIPTION:** POGO PIN**FEATURES**

- pogo pin
- through hole
- gold plated

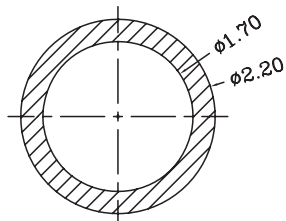
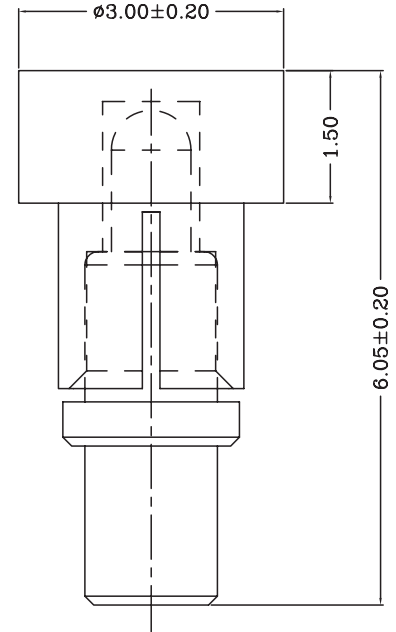
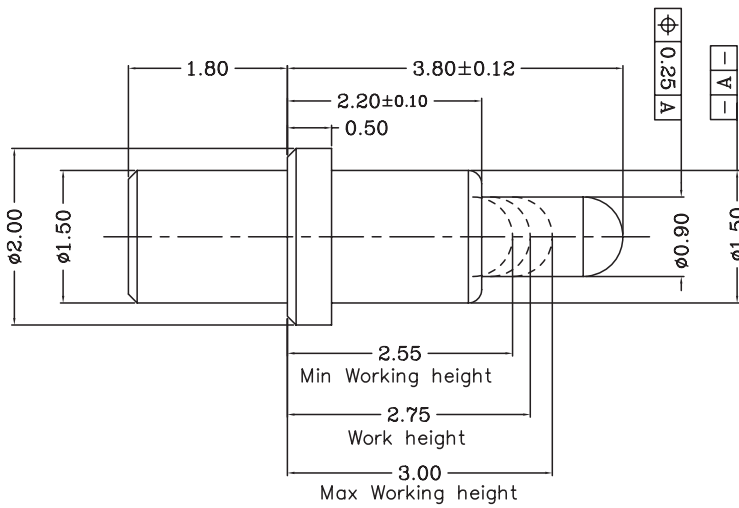
**SPECIFICATIONS**

parameter	conditions/description	min	typ	max	units
rated voltage				12	Vdc
rated current				1	A
contact resistance	at working height			50	mΩ
force	at minimum compression	10	25	40	gf
	at working height	20	30	40	gf
	at maximum compression	20	35	50	gf
mid stroke			1.05		mm
full stroke			1.25		mm
working height			2.75		mm
life		20,000			cycles
operating temperature		-40		85	°C
RoHS	yes				

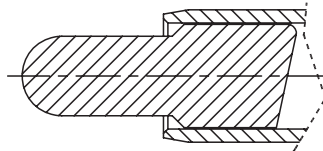
MECHANICAL DRAWING

units: mm
 tolerance:
 X.X: ±0.15 mm
 X.XX: ±0.10 mm
 PCB: ±0.05 mm
 unless otherwise noted

DESCRIPTION	MATERIAL	PLATING/COLOR
barrel	brass	0.40 µm min gold over 1.25-2.5 µm min nickel
plunger	brass	0.75 µm min gold over 1.25-2.5 µm min nickel
spring	stainless steel wire	0.05 µm min gold over 1.25-2.5 µm min nickel
cap	high temp. plastic (UL94V-0)	black



Recommended PCB Layout
 Top View

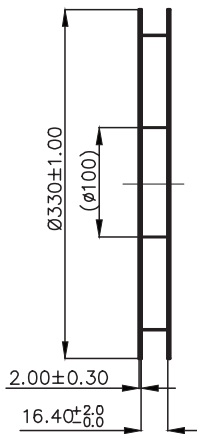
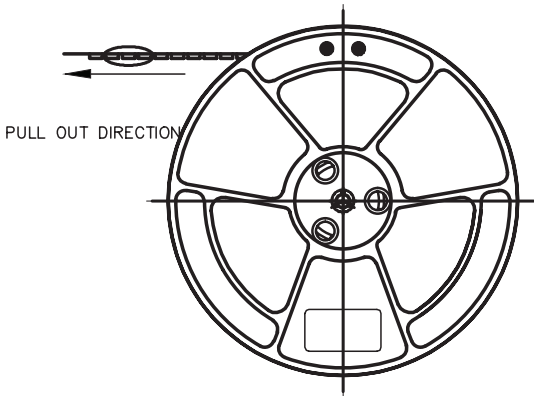
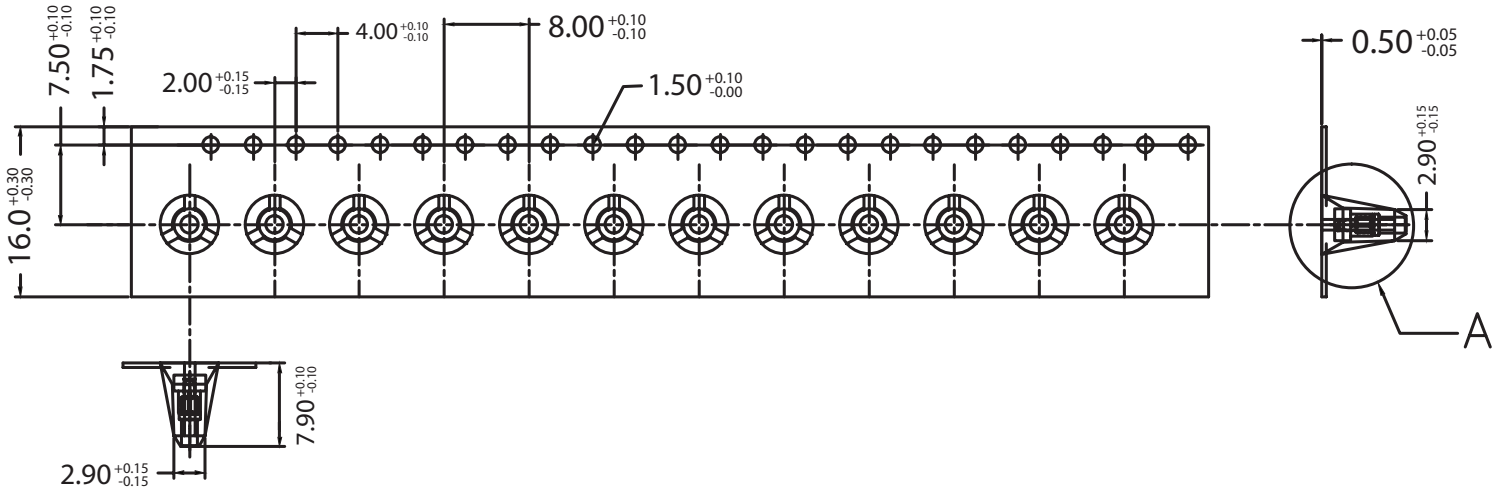


PACKAGING

units: mm

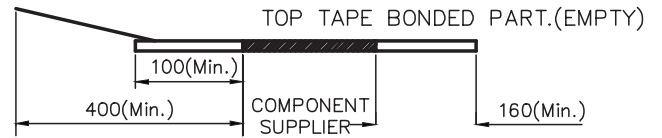
Reel Size: $\varnothing 330$ mm

Reel QTY: 900 pcs per reel



NOTES:

1. NUMBER OF CONNECTORS : 900 PCS/REEL
2. LEAD TAPE LENGTH



3. PEELING OFF FORCE OF TOP TAPE : 10.2gf ~ 71.4gf
PULL OUT DIRECTION



4. Reel Package MATERIAL
CARRIER TAPE: PS
TOP TAPE: PET
REEL: PS (RECYCLE MATERIAL CONTAINED)
5. RoHS&HF compliant product

REVISION HISTORY

rev.	description	date
1.0	initial release	11/06/2024

The revision history provided is for informational purposes only and is believed to be accurate.



Same Sky offers a one (1) year limited warranty. Complete warranty information is listed on our website.

Same Sky reserves the right to make changes to the product at any time without notice. Information provided by Same Sky is believed to be accurate and reliable. However, no responsibility is assumed by Same Sky for its use, nor for any infringements of patents or other rights of third parties which may result from its use.

Same Sky products are not authorized or warranted for use as critical components in equipment that requires an extremely high level of reliability. A critical component is any component of a life support device or system whose failure to perform can be reasonably expected to cause the failure of the life support device or system, or to affect its safety or effectiveness.

[sameskydevices.com](https://www.sameskydevices.com)