



MODEL: CPG-03-N-B | **DESCRIPTION:** PCB PIN

FEATURES

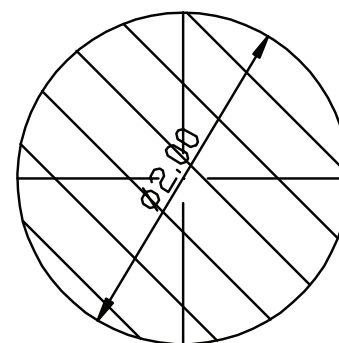
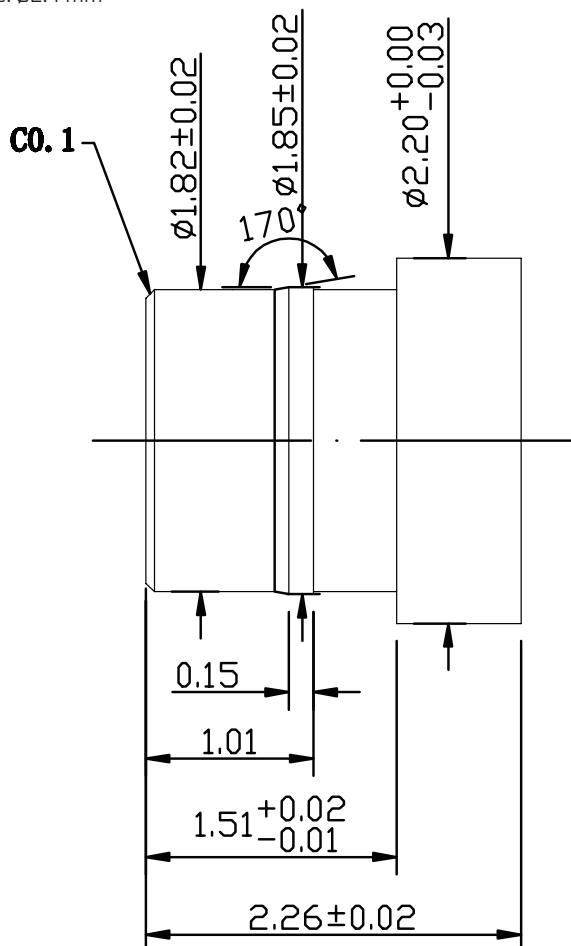
- PCB pin
- press fit
- gold plated



MECHANICAL DRAWING

units: mm
 tolerance:
 $X \leq 10$: ± 0.10 mm
 $10 < X \leq 20$: ± 0.15 mm
 unless otherwise noted
 PCB: ± 0.05 mm
 press-fit mounting hole: $\varnothing 2.4$ mm

DESCRIPTION	MATERIAL	PLATING/COLOR
pin	brass alloy	10 μ " min gold over 50-120 μ " nickel



Recommended PCB Layout
Top View

REVISION HISTORY

rev.	description	date
1.0	initial release	01/16/2024
1.01	CUI Devices rebranded to Same Sky	09/12/2024
1.02	reduced gold plating to 10 μ "	01/13/2026

The revision history provided is for informational purposes only and is believed to be accurate.



Same Sky offers a one (1) year limited warranty. Complete warranty information is listed on our website.

Same Sky reserves the right to make changes to the product at any time without notice. Information provided by Same Sky is believed to be accurate and reliable. However, no responsibility is assumed by Same Sky for its use, nor for any infringements of patents or other rights of third parties which may result from its use.

Same Sky products are not authorized or warranted for use as critical components in equipment that requires an extremely high level of reliability. A critical component is any component of a life support device or system whose failure to perform can be reasonably expected to cause the failure of the life support device or system, or to affect its safety or effectiveness.

[sameskydevices.com](https://www.sameskydevices.com)