

**SERIES:** CMS-4024-58X | **DESCRIPTION:** SPEAKER**FEATURES**

- 130 Hz resonant frequency
- multiple termination options
- square frame with mounting holes

**SPECIFICATIONS**

parameter	conditions/description	min	typ	max	units
input power	max power: pink noise, 1 min on, 2 min off, 10 cycles		5.0	7.0	W
impedance	at 1.0 kHz	6.8	8.0	9.2	Ω
resonant frequency (Fo)		104	130	156	Hz
frequency response		Fo		20,000	Hz
sound pressure level	at 1.0 W, 1.0 m, avg 0.50, 0.63, 0.8, 1.0 kHz, w/baffleboard	78	81	84	dB
	at 3.0 W, 1.0 m, avg 0.50, 0.63, 0.8, 1.0 kHz, w/baffleboard	83	86	89	dB
distortion	at 1.0 kHz, 1.0 W, standard baffle			5	%
buzz, rattle, etc.	must be normal at sine wave between 0.05~20 kHz			6.32	V
polarity	cone moves forward w/ positive dc current to "+" terminal				
dimensions	40.2 x 40.2 x 24				mm
magnet	Nd-Fe-B				
frame material	SPCC				
cone material	PU + paper + PET				
weight			37.5		g
operating temperature		-20		60	$^{\circ}\text{C}$
storage temperature		-20		60	$^{\circ}\text{C}$
hand soldering	for 3~5 seconds	370	380	390	$^{\circ}\text{C}$
RoHS	yes				

Notes: 1. All specifications measured at 15~35 $^{\circ}\text{C}$, humidity at 45~85%, under 86~106 kPa pressure, unless otherwise noted.

PART NUMBER KEY**CMS - 4024 - 58 X**

Base Number

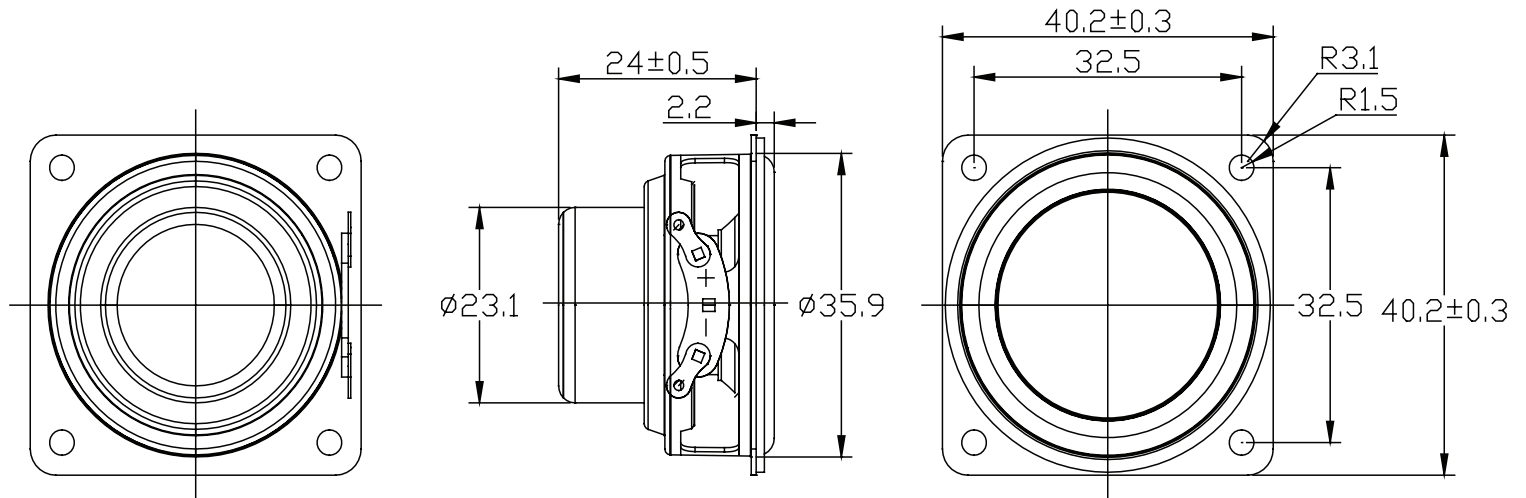
Termination Options:

E = solder eyelet

L200 = 200 mm wire leads

MECHANICAL DRAWING (SOLDER EYELET)

units: mm
tolerance: ± 0.5 mm

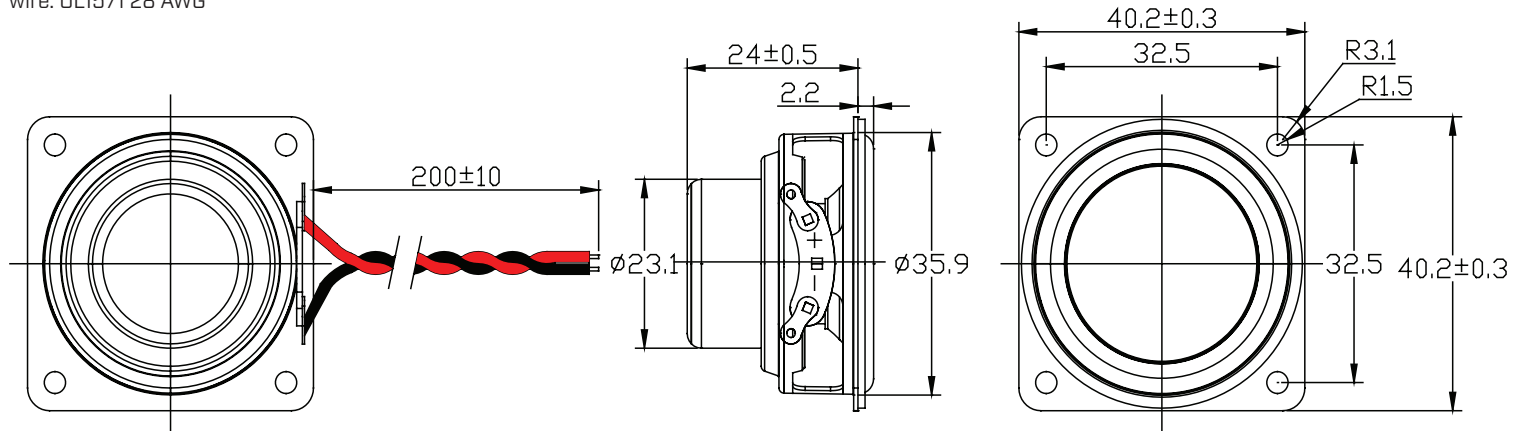


MECHANICAL DRAWING (WIRE LEADS)

units: mm

tolerance: ± 0.5 mm

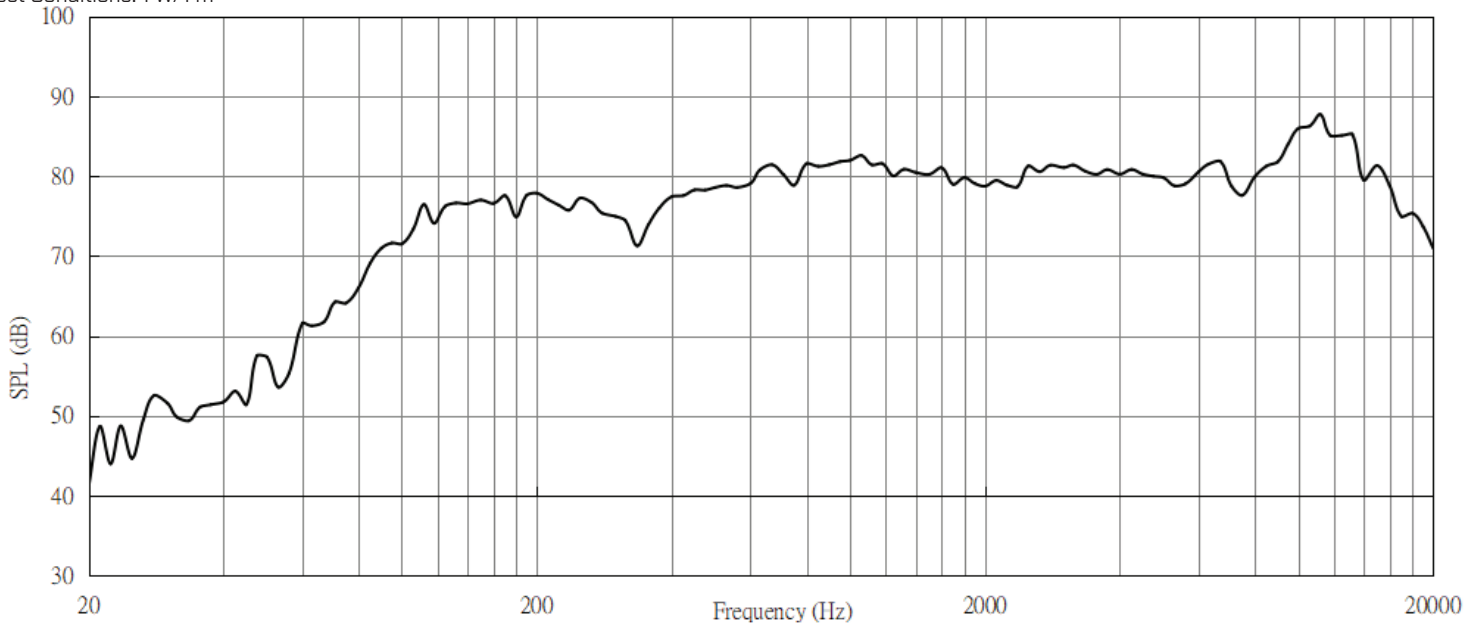
wire: UL1571 28 AWG



RESPONSE CURVES

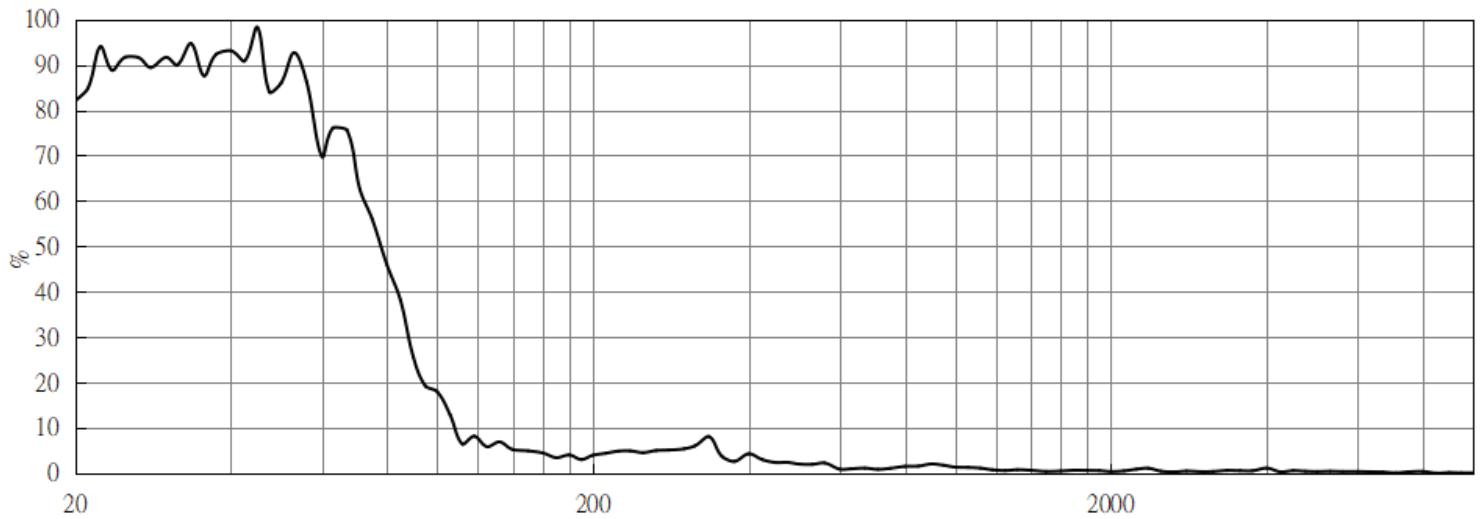
Frequency Response Curve

Test Conditions: 1 W/1 m



Total Harmonic Distortion Curve

Test Conditions: 1 W/1 m



THIELE-SMALL PARAMETERS

parameter	conditions/description	typ
Mechanical Q Factor	Qms	5.099
Electrical Q Factor	Qes	0.636
Total Q Factor	Qts	0.565
Compliance Equivalent Volume	Vas	0.0891

Notes: 2. Results represent typical performance in Free Air conditions.

REVISION HISTORY

rev.	description	date
1.0	initial release	04/16/2026

The revision history provided is for informational purposes only and is believed to be accurate.



Same Sky offers a one (1) year limited warranty. Complete warranty information is listed on our website.

Same Sky reserves the right to make changes to the product at any time without notice. Information provided by Same Sky is believed to be accurate and reliable. However, no responsibility is assumed by Same Sky for its use, nor for any infringements of patents or other rights of third parties which may result from its use.

Same Sky products are not authorized or warranted for use as critical components in equipment that requires an extremely high level of reliability. A critical component is any component of a life support device or system whose failure to perform can be reasonably expected to cause the failure of the life support device or system, or to affect its safety or effectiveness.

[sameskydevices.com](https://www.sameskydevices.com)