



SERIES: CMS-4012-34X-X7 | DESCRIPTION: SPEAKER

FEATURES

- multiple termination options
- IPX7 rated
- operating temperature up to +85° C



SPECIFICATIONS

parameter	conditions/description	min	typ	max	units
input power	max power: pink noise, 1 min on, 2 min off, 10 cycles		3.0	4.0	W
impedance		3.4	4.0	4.6	Ω
resonant frequency (Fo)		520	650	780	Hz
frequency response		Fo		7,000	Hz
sound pressure level	at 1 W, 1 m, avg 1.0, 1.2, 1.5, 2.0 kHz	79	82	85	dB
	at 3 W, 1 m, avg 1.0, 1.2, 1.5, 2.0 kHz	84	87	90	dB
distortion	at 1.0 kHz, 1.0 W, standard baffle			10	%
buzz, rattle, etc.	must be normal at sine wave, from 0.2~20 kHz			3.46	V
polarity	cone moves forward w/ positive dc current to "+" terminal				
dimensions	\varnothing 40 x 12.0				mm
magnet	Nd-Fe-B				
frame material	SPCC				
cone material	PEN				
weight			15.1		g
operating temperature		-30		85	$^{\circ}$ C
storage temperature		-40		105	$^{\circ}$ C
hand soldering	for 3~5 seconds	370	380	390	$^{\circ}$ C
RoHS	yes				
IP level	IPX7				

Notes: 1. All specifications measured at 15~35 $^{\circ}$ C, humidity at 45~85%, under 86~106 kPa pressure, unless otherwise noted.

PART NUMBER KEY

CMS - 4012 - 034 X - X7

Base Number

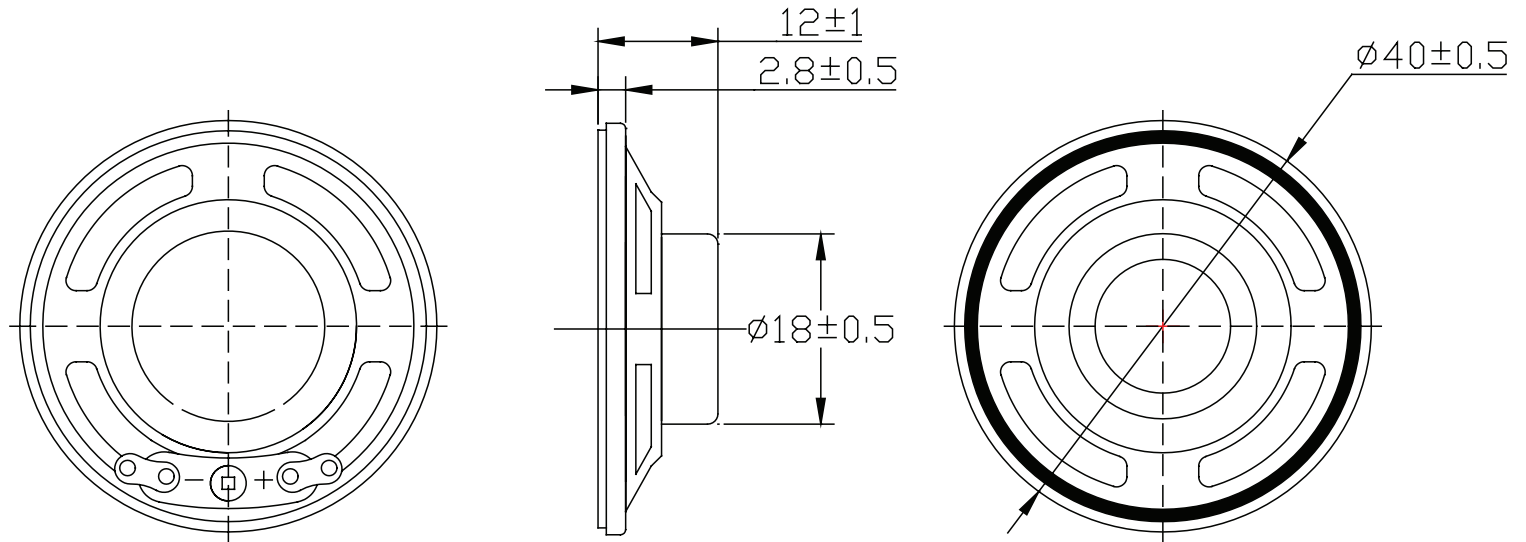
Termination Options:

E = solder eyelet

L200 = 200 mm wire leads

MECHANICAL DRAWING (SOLDER EYELET)

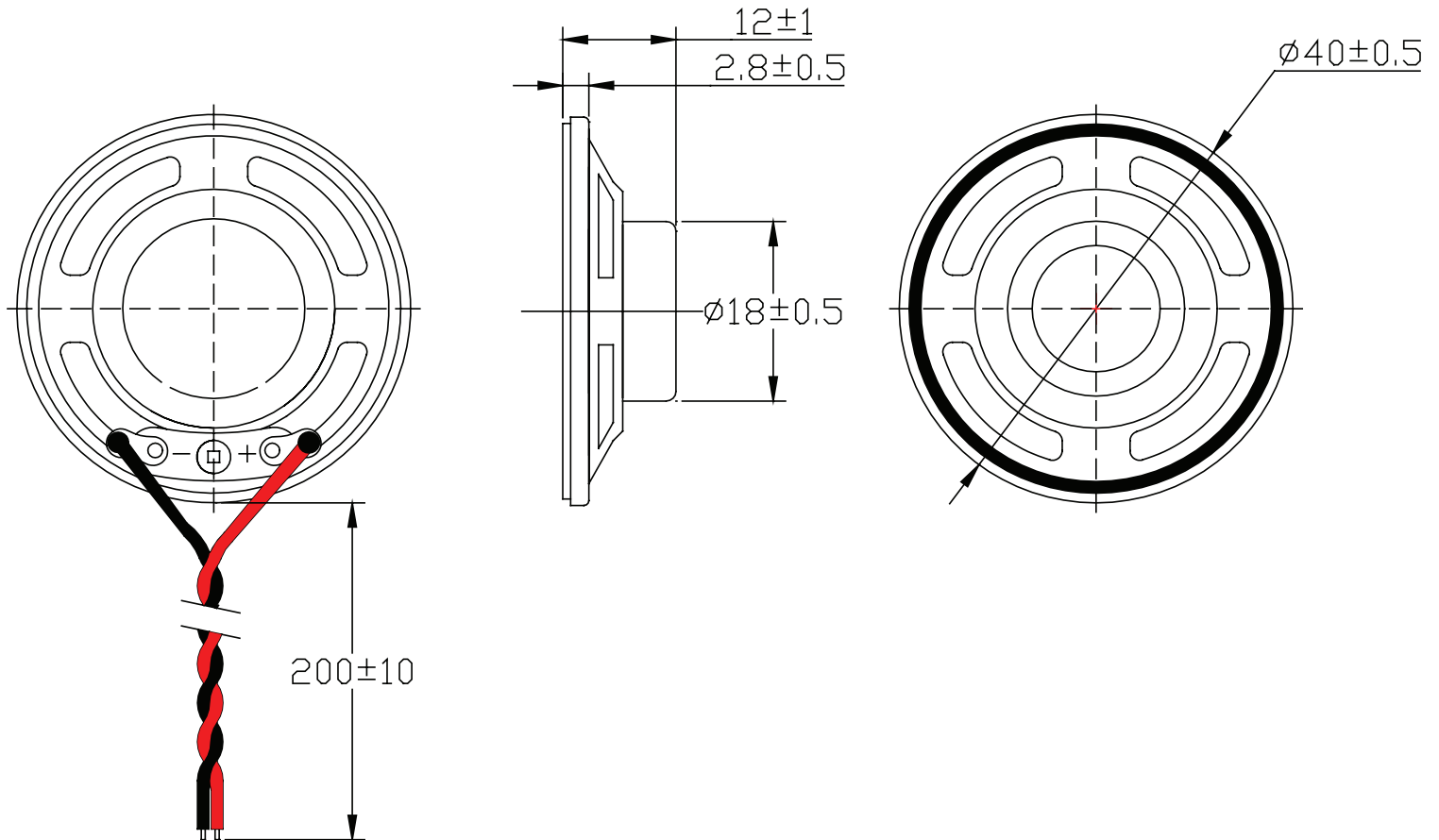
units: mm
tolerance: ± 0.5 mm



MECHANICAL DRAWING (WIRE LEADS)

units: mm
tolerance: ± 0.5 mm

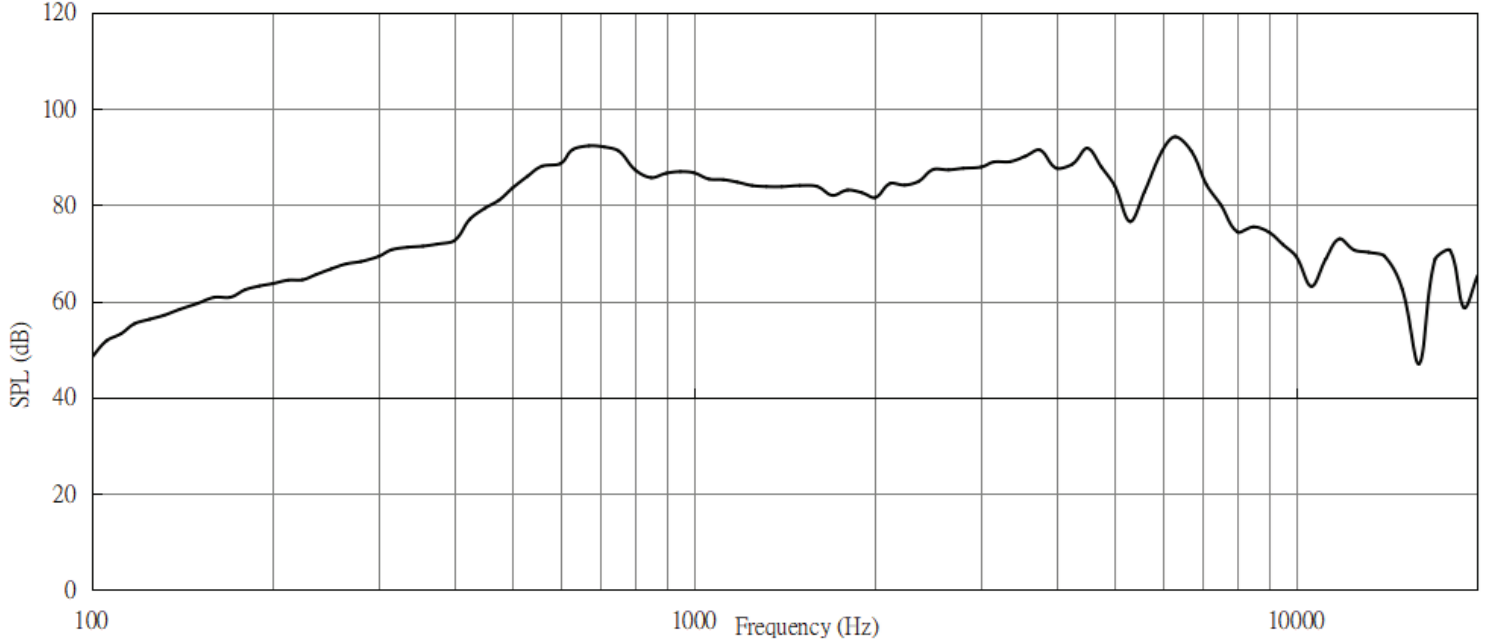
wire: UL1571 28 AWG



RESPONSE CURVES

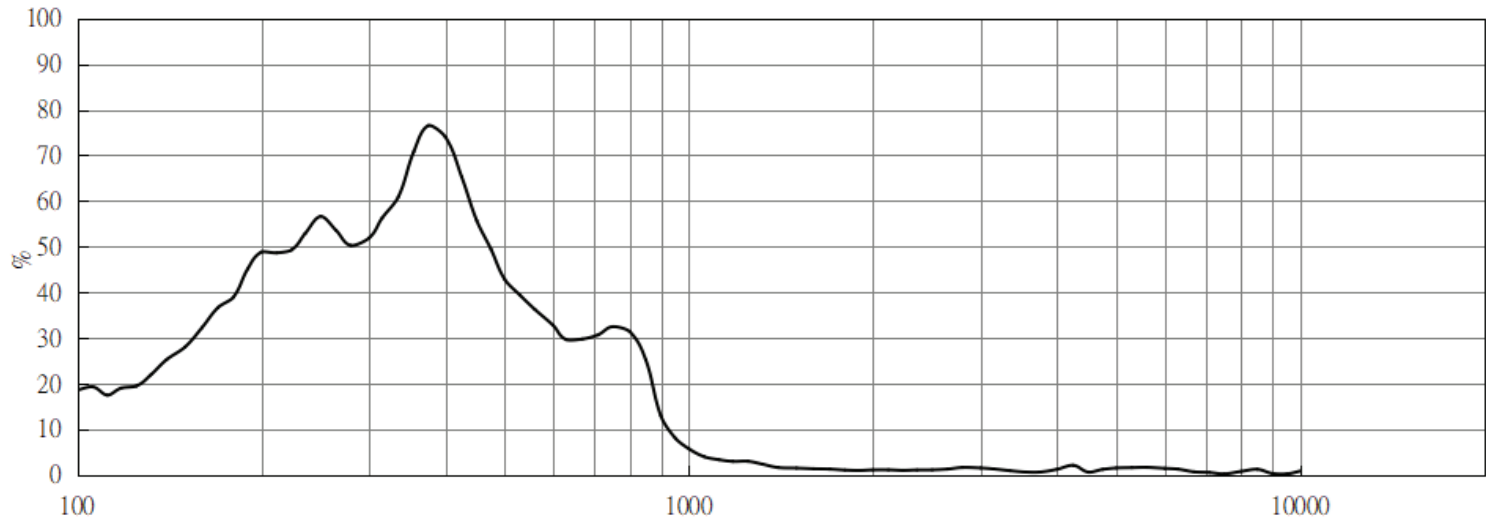
Frequency Response Curve

Test Conditions: 1 W/1 m



Total Harmonic Distortion Curve

Test Conditions: 1 W/1 m



THIELE-SMALL PARAMETERS

parameter	conditions/description	typ
Mechanical Q Factor	Qms	9.163
Electrical Q Factor	Qes	5.708
Total Q Factor	Qts	3.517
Compliance Equivalent Volume	Vas	0.0255

Notes: 2. Results represent typical performance in Free Air conditions.

REVISION HISTORY

rev.	description	date
1.0	initial release	04/21/2026

The revision history provided is for informational purposes only and is believed to be accurate.



Same Sky offers a one (1) year limited warranty. Complete warranty information is listed on our website.

Same Sky reserves the right to make changes to the product at any time without notice. Information provided by Same Sky is believed to be accurate and reliable. However, no responsibility is assumed by Same Sky for its use, nor for any infringements of patents or other rights of third parties which may result from its use.

Same Sky products are not authorized or warranted for use as critical components in equipment that requires an extremely high level of reliability. A critical component is any component of a life support device or system whose failure to perform can be reasonably expected to cause the failure of the life support device or system, or to affect its safety or effectiveness.

[sameskydevices.com](https://www.sameskydevices.com)