


**SERIES:** CMS-3652-28X | **DESCRIPTION:** SPEAKER

**FEATURES**

- 550 Hz resonance frequency
- 100 dB @ 0.1 m
- multiple termination options


**SPECIFICATIONS**

parameter	conditions/description	min	typ	max	units
input power	max power: IEC-60268-5, filter 60 seconds on, 120 seconds off, 10 cycles (room temp)		2.0	2.5	W
impedance	at 1.0 kHz, 1.0 V	6.8	8	9.2	$\Omega$
resonant frequency (Fo)	at 1.0 V	440	550	660	Hz
frequency response		Fo		10,000	Hz
sound pressure level	at 1.0 W, 10 cm, avg at 0.8, 1.0, 1.2, 1.5 kHz	97	100	103	dB
distortion	at 1.0 kHz			10	%
buzz, rattle, etc.	not audible at sine wave between Fo~10 kHz			4.0	V
polarity	cone moves forward w/ positive dc current to "+" terminal				
dimensions	$\varnothing 36.0 \times 5.2$				mm
magnet	Nd-Fe-B				
frame material	SPCC				
cone material	PET				
weight	solder pad model	7.92	8.80	9.68	g
	wire leads model	8.19	9.10	10.01	g
operating temperature		-20		50	$^{\circ}\text{C}$
storage temperature		-20		60	$^{\circ}\text{C}$
hand soldering	for 3 $\pm$ 1 seconds	360	370	380	$^{\circ}\text{C}$
RoHS	yes				

Notes: 1. All specifications measured at 5-35 $^{\circ}\text{C}$ , humidity at 45-85%, under 86-106 kPa pressure, unless otherwise noted.

**PART NUMBER KEY**
**CMS - 3652 - 28 XX**

Base Number

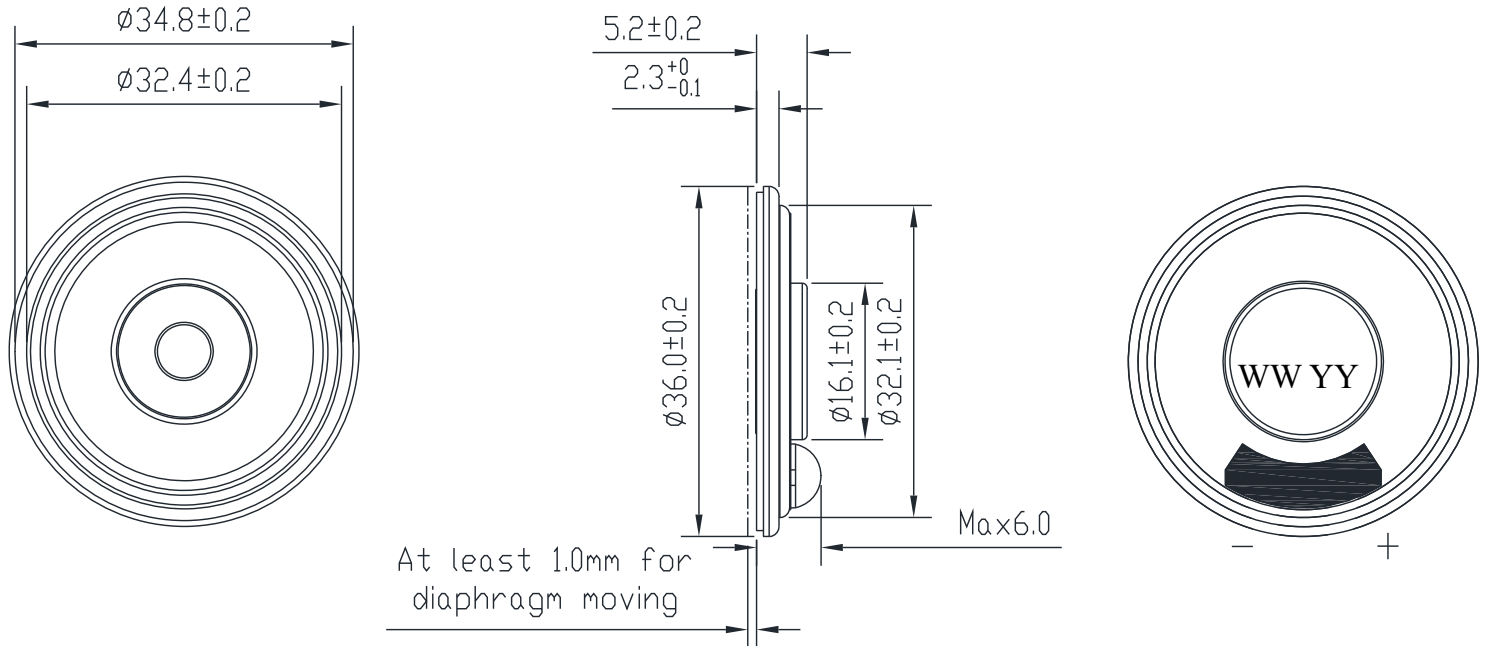
Termination Options:

SP = solder pads

L200 = 200 mm wire leads

## MECHANICAL DRAWING (SOLDER PADS)

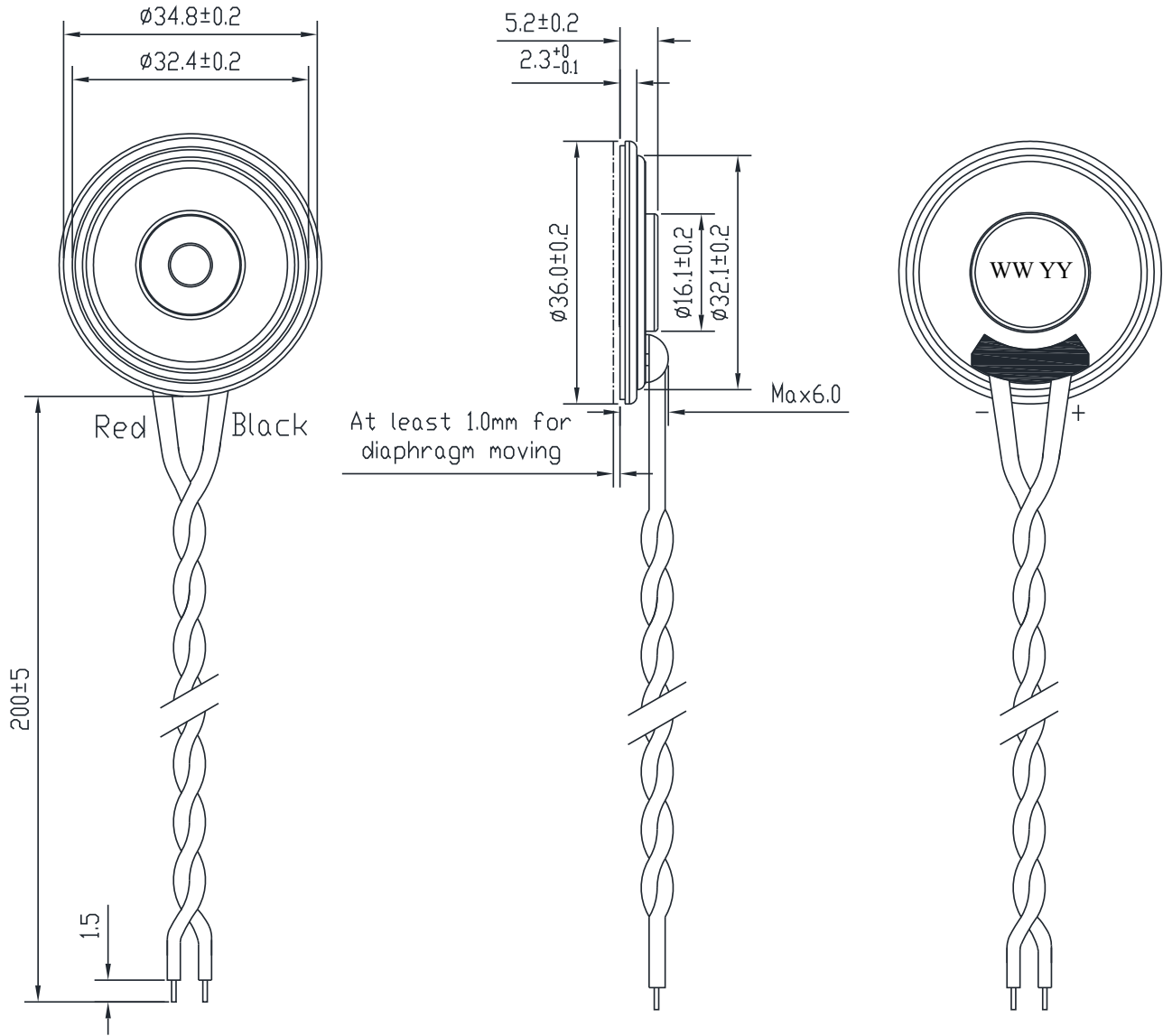
units: mm  
tolerance:  $\pm 0.3$  mm



## MECHANICAL DRAWING (WIRE LEADS)

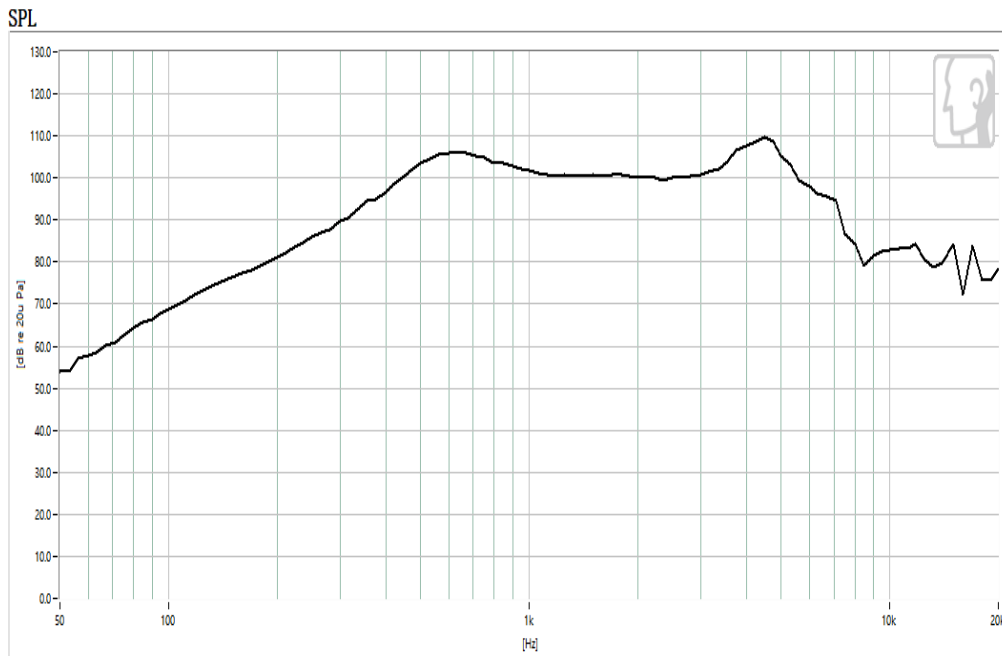
units: mm  
tolerance:  $\pm 0.3$  mm

wire: UL1571 30 AWG

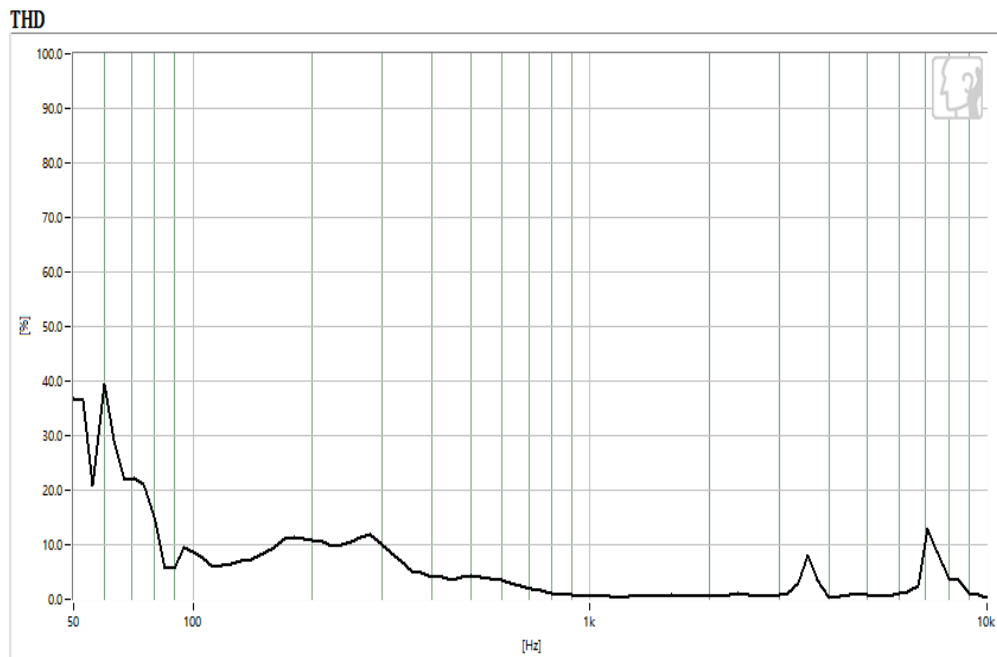


## RESPONSE CURVES

### Frequency Response Curve



### Total Harmonic Distortion Curve



## THIELE-SMALL PARAMETERS

parameter	conditions/description	typ
Mechanical Q Factor	Qms	4.6754
Electrical Q Factor	Qes	7.5911
Total Q Factor	Qts	2.8934
Compliance Equivalent Volume	Vas	0.0001

Notes: 2. Results represent typical performance in Free Air conditions.

## REVISION HISTORY

rev.	description	date
1.0	initial release	06/11/2026

The revision history provided is for informational purposes only and is believed to be accurate.



Same Sky offers a one (1) year limited warranty. Complete warranty information is listed on our website.

Same Sky reserves the right to make changes to the product at any time without notice. Information provided by Same Sky is believed to be accurate and reliable. However, no responsibility is assumed by Same Sky for its use, nor for any infringements of patents or other rights of third parties which may result from its use.

Same Sky products are not authorized or warranted for use as critical components in equipment that requires an extremely high level of reliability. A critical component is any component of a life support device or system whose failure to perform can be reasonably expected to cause the failure of the life support device or system, or to affect its safety or effectiveness.

[sameskydevices.com](https://www.sameskydevices.com)