

**SERIES:** CMS-2863-158X-X7 | **DESCRIPTION:** SPEAKER**FEATURES**

- multiple termination options
- IPX7 rated
- operating temperature up to +85°C

**SPECIFICATIONS**

parameter	conditions/description	min	typ	max	units
input power	max power: pink noise, 1 min on, 2 min off, 10 cycles		1.5	2.0	W
impedance	at 2.0 kHz, 1.0 V	6.8	8.0	9.2	Ω
resonant frequency (Fo)		640	800	960	Hz
frequency response		Fo		7,000	Hz
sound pressure level	at 1 W, 0.1 m, avg 0.8, 1.0, 1.2, 1.5 kHz, with baffleboard	98	101	104	dB
	at 1.5 W, 0.1 m, avg 0.8, 1.0, 1.2, 1.5 kHz, with baffleboard	99.5	102.5	105.5	dB
distortion	at 2 kHz, 1 W			10	%
buzz, rattle, etc.	must be normal at sine wave between Fo-7 kHz			3.46	V
polarity	cone moves forward w/ positive dc current to "+" terminal				
dimensions	\varnothing 28 x 6.3				mm
magnet	Nd-Fe-B				
frame material	SPCC				
cone material	PEI				
weight			14.5		g
operating temperature		-40		85	°C
storage temperature		-40		85	°C
hand soldering	for 3~5 seconds	370	380	390	°C
RoHS	yes				
IP level	IPX7 [front side]				

Notes: 1. All specifications measured at 15-35°C, humidity at 45-85%, under 86-106 kPa pressure, unless otherwise noted.

PART NUMBER KEY**CMS - 2863 - 158 X - X7**

Base Number

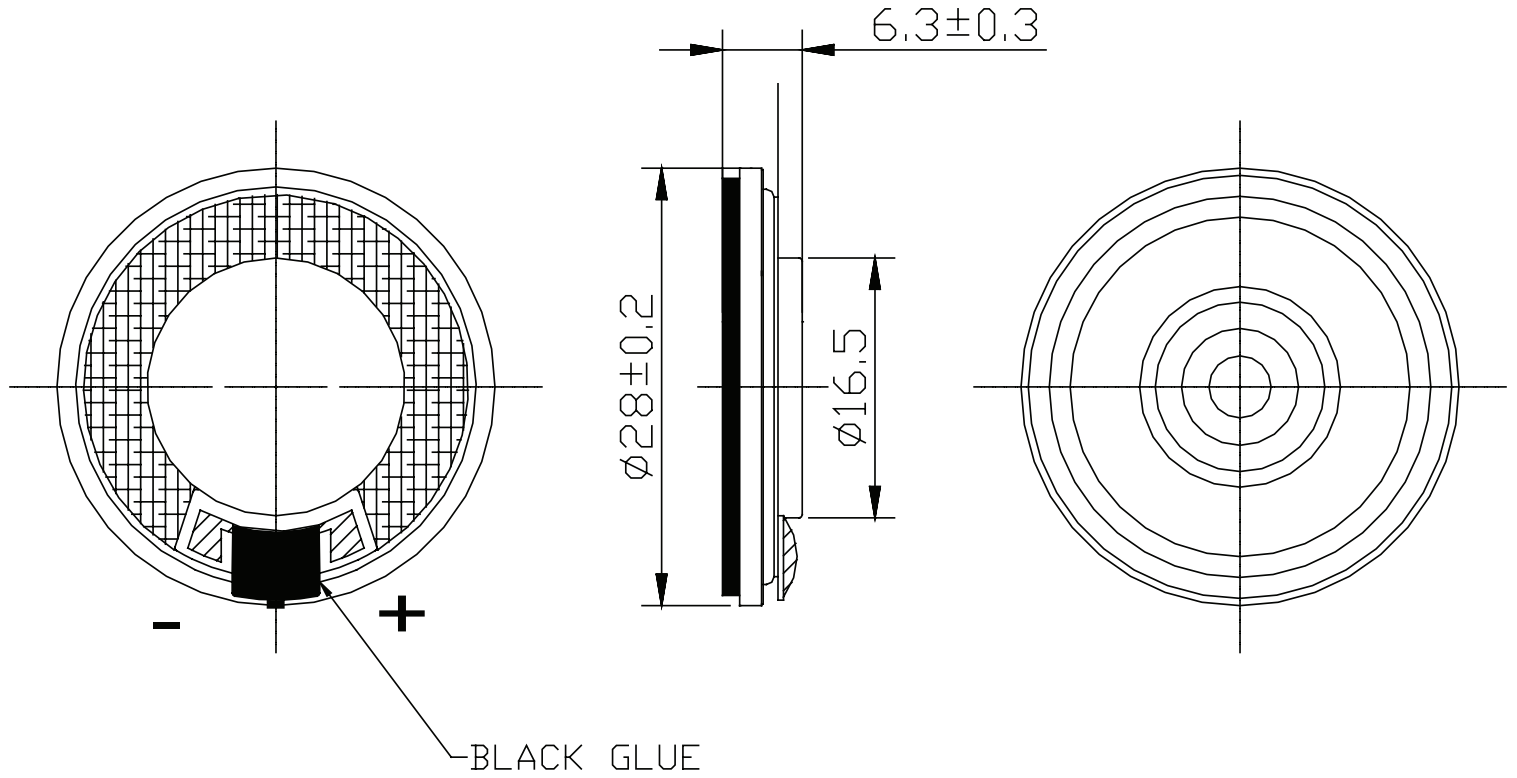
Termination Options:

SP = solder pad

L200 = 200 mm wire leads

MECHANICAL DRAWING (SOLDER PAD)

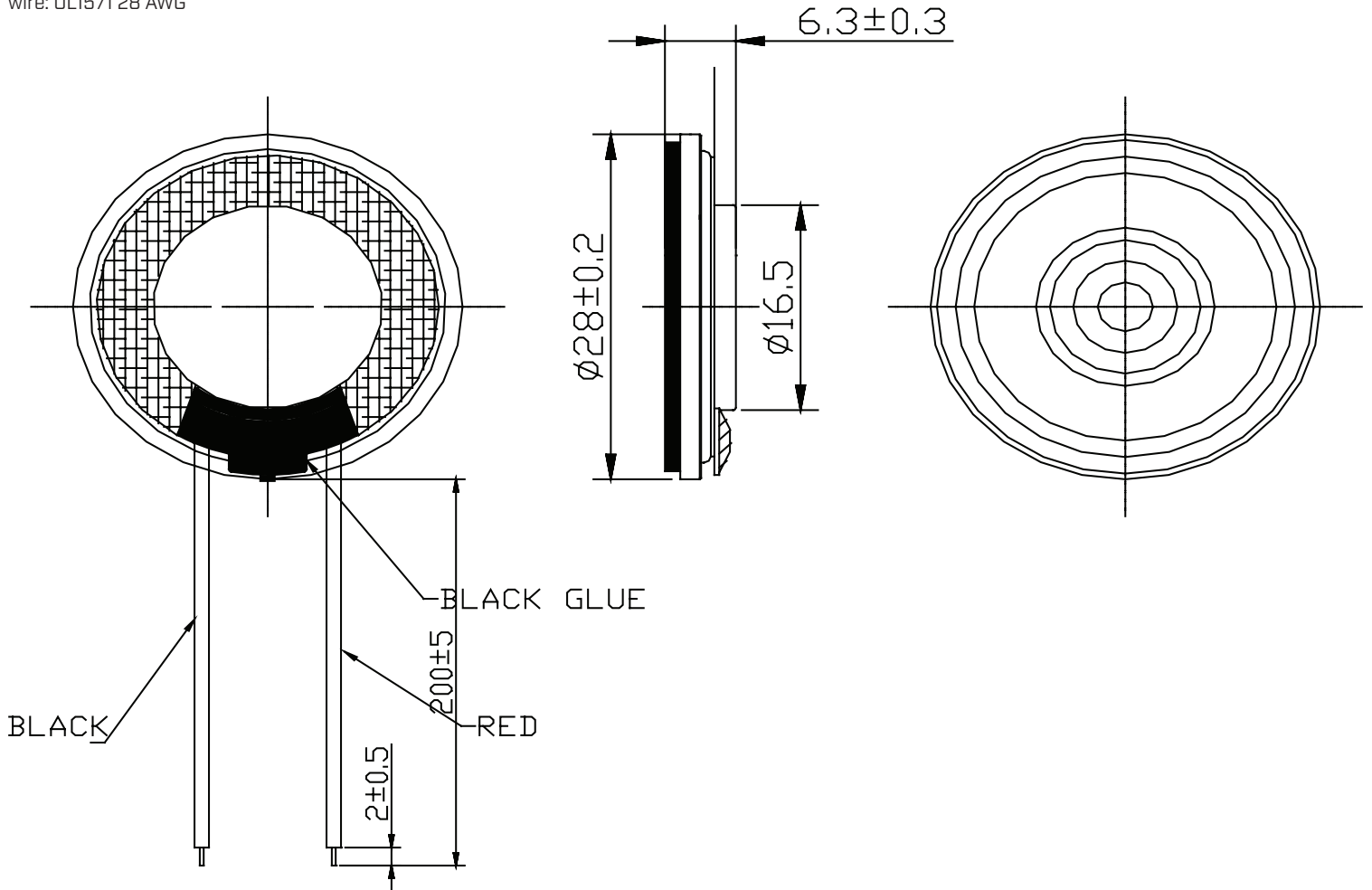
units: mm
tolerance: ± 0.5 mm



MECHANICAL DRAWING (WIRE LEADS)

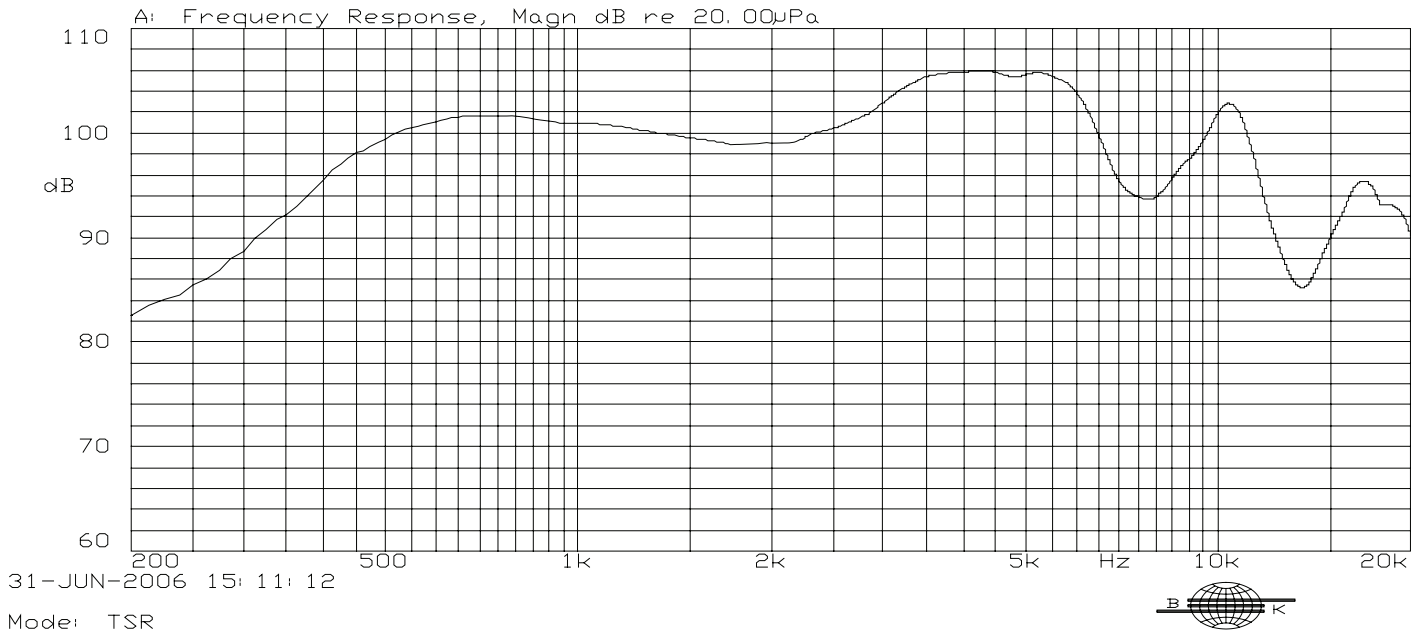
units: mm
tolerance: ± 0.5 mm

wire: UL1571 28 AWG

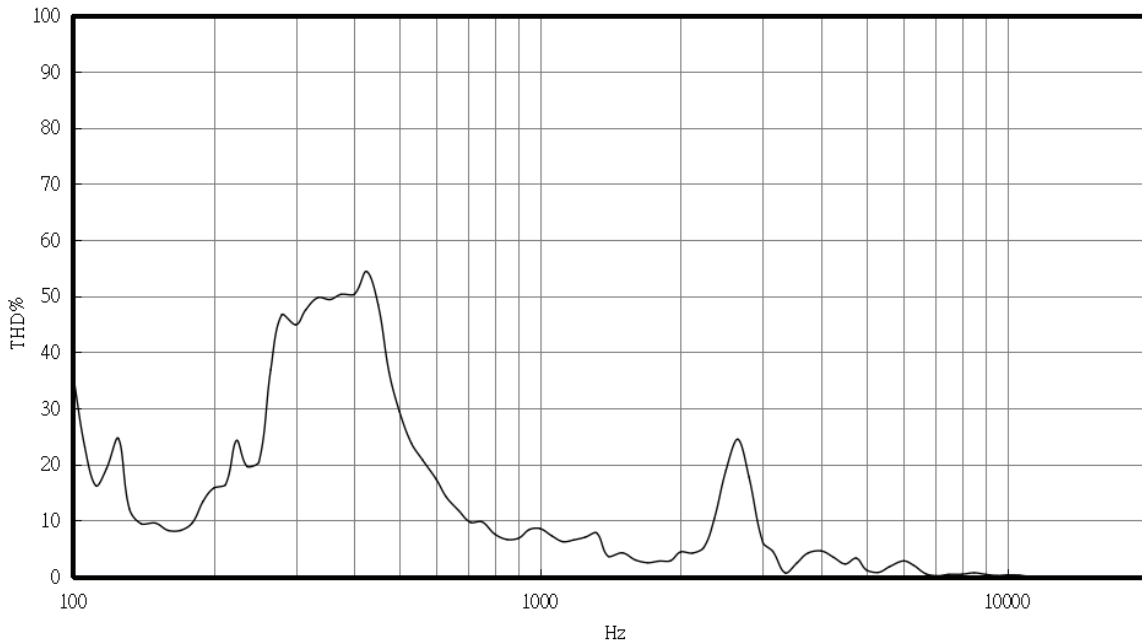


RESPONSE CURVES

Frequency Response Curve



Total Harmonic Distortion Curve



THIELE-SMALL PARAMETERS

parameter	conditions/description	typ
Mechanical Q Factor	Qms	4.172
Electrical Q Factor	Qes	9.519
Total Q Factor	Qts	2.901
Compliance Equivalent Volume	Vas	0.0141

Notes: 2. Results represent typical performance in Free Air conditions.

REVISION HISTORY

rev.	description	date
1.0	initial release	04/15/2026

The revision history provided is for informational purposes only and is believed to be accurate.



Same Sky offers a one (1) year limited warranty. Complete warranty information is listed on our website.

Same Sky reserves the right to make changes to the product at any time without notice. Information provided by Same Sky is believed to be accurate and reliable. However, no responsibility is assumed by Same Sky for its use, nor for any infringements of patents or other rights of third parties which may result from its use.

Same Sky products are not authorized or warranted for use as critical components in equipment that requires an extremely high level of reliability. A critical component is any component of a life support device or system whose failure to perform can be reasonably expected to cause the failure of the life support device or system, or to affect its safety or effectiveness.

[sameskydevices.com](https://www.sameskydevices.com)