



SERIES: CBL-UC-UC | **DESCRIPTION:** USB CABLE

FEATURES

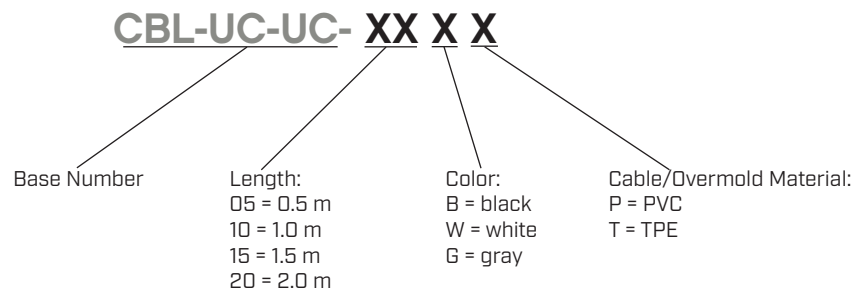
- type C male to type C male
- USB 2.0
- available in 0.5, 1, 1.5, 2.0 m lengths
- PVC or TPE jacket material
- black, white, and gray color options



SPECIFICATIONS

parameter	conditions/description	min	typ	max	units
rated voltage			5		Vdc
rated current				3	A
conductor resistance				1	Ω
insulation resistance	at 300 Vdc	10			M Ω
operating temperature		-20		80	$^{\circ}$ C
flammability rating	see material table				
RoHS	yes				

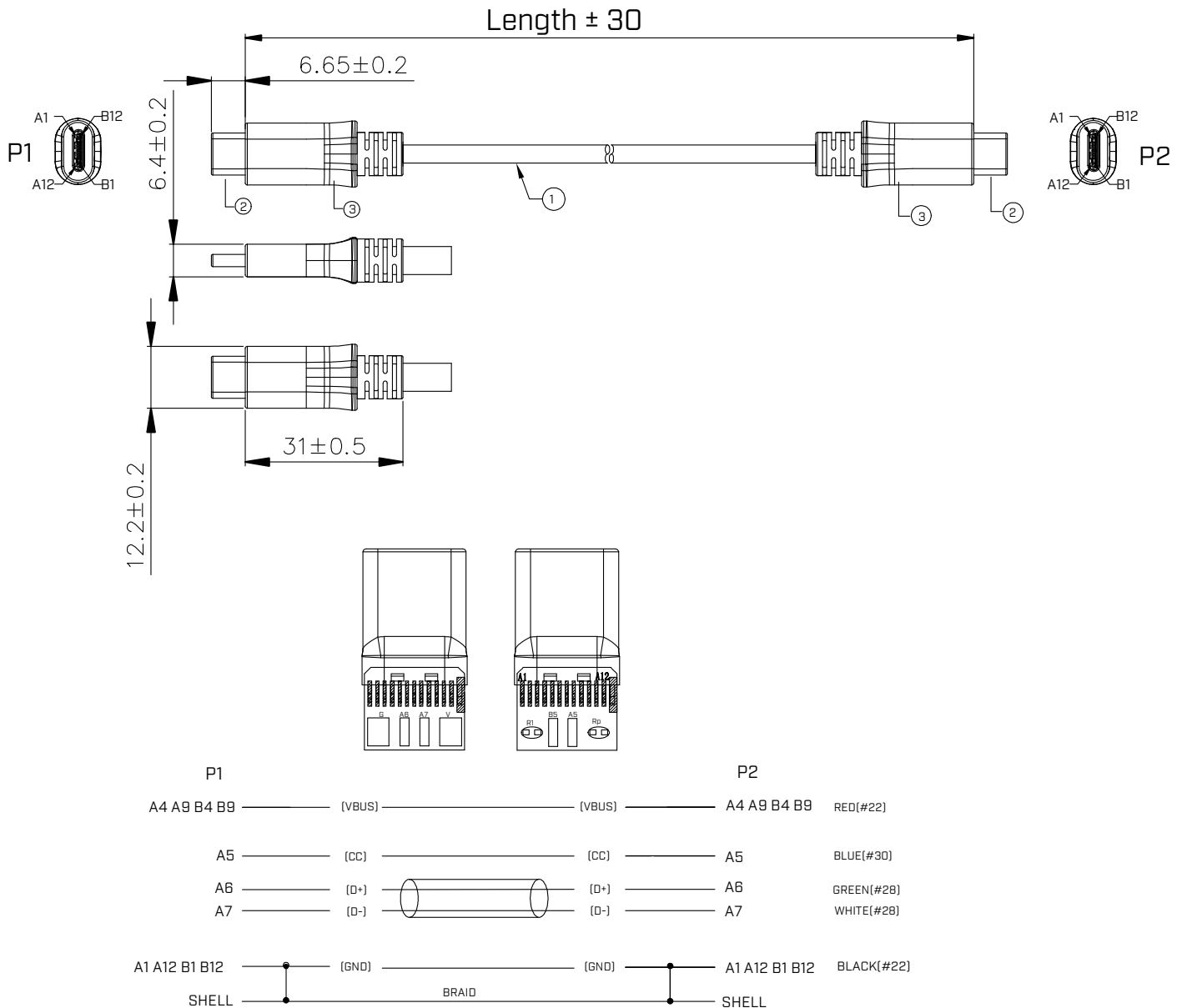
PART NUMBER KEY



MECHANICAL DRAWING

units: mm
 tolerance:
 X.X ±0.50 mm
 X.XX ±0.30 mm
 X.XXX ±0.10 mm
 unless otherwise noted

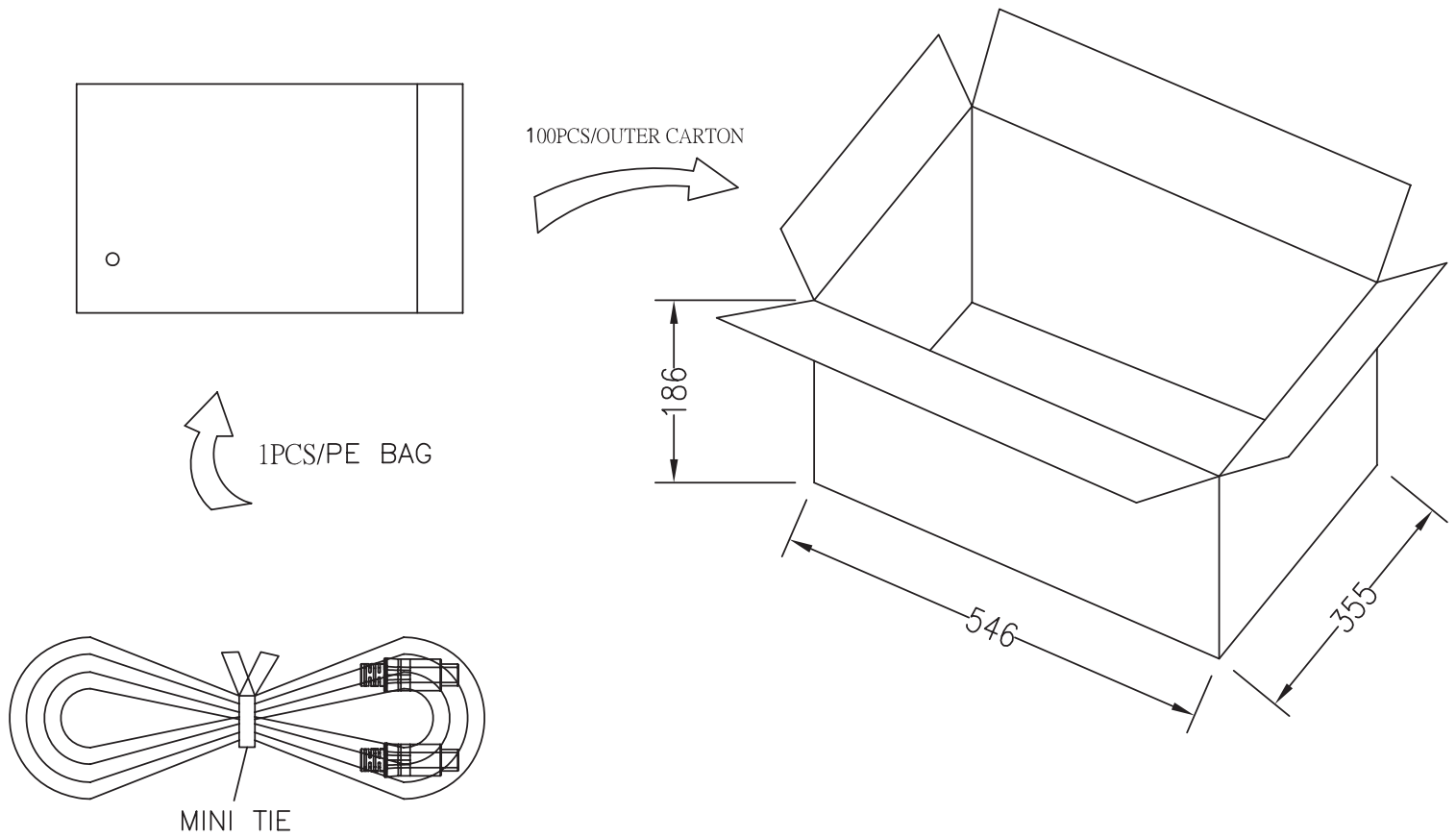
ITEM	DESCRIPTION
1	cable (PVC version) UL2725 [#28*1P+A]*1C+#30*2C+AEB(65%) PVC; Black OD=5.0±0.15 mm; 30 V
1	cable (TPE version) #28(7/0.127)*1P+#24(7/0.2)*2C+AEB(65%) TPE; Gray OD=5.0±0.15 mm; 30 V
2	connector 1/2 USB C; Contact: gold plated
3	overmold PVC 45P or TPE



PACKAGING

units: mm

Carton Size: 546 x 355 x 186 mm
Carton QTY:
0.5 m length models: 200 pcs/carton
1.0 m length models: 150 pcs/carton
1.5 m length models: 150 pcs/carton
2.0 m length models: 100 pcs/carton



REVISION HISTORY

rev.	description	date
1.0	initial release	11/30/2020
1.01	TPE jacket update	01/19/2021
1.02	logo, datasheet style update	08/05/2022
1.03	modified design	07/22/2024
1.04	CUI Devices rebranded to Same Sky	09/12/2024

The revision history provided is for informational purposes only and is believed to be accurate.



Same Sky offers a one (1) year limited warranty. Complete warranty information is listed on our website.

Same Sky reserves the right to make changes to the product at any time without notice. Information provided by Same Sky is believed to be accurate and reliable. However, no responsibility is assumed by Same Sky for its use, nor for any infringements of patents or other rights of third parties which may result from its use.

Same Sky products are not authorized or warranted for use as critical components in equipment that requires an extremely high level of reliability. A critical component is any component of a life support device or system whose failure to perform can be reasonably expected to cause the failure of the life support device or system, or to affect its safety or effectiveness.

[sameskydevices.com](https://www.sameskydevices.com)