



MODEL: SAK-006 | **DESCRIPTION:** KNOB

FEATURES

- aluminum
- white indicator
- D-cut shaft compatible

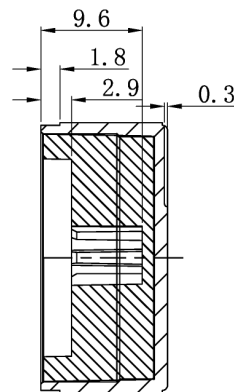


MECHANICAL DRAWING

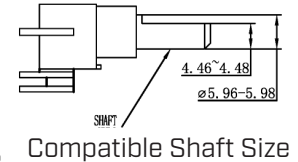
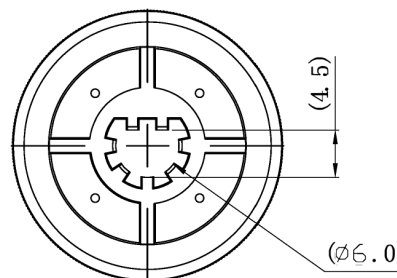
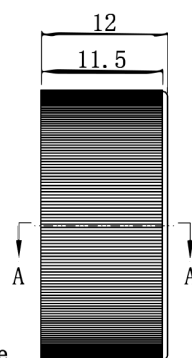
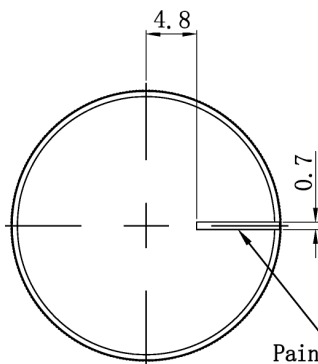
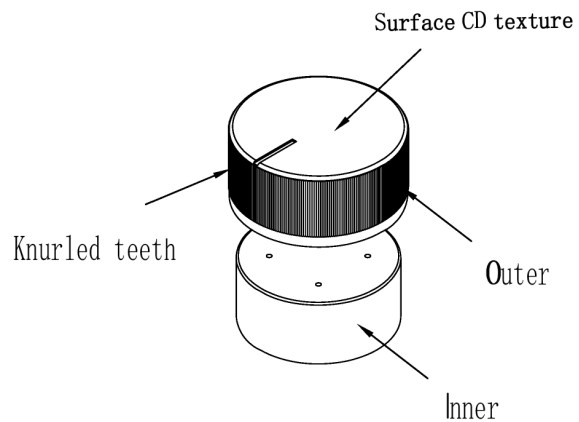
units: mm
 tolerance:
 $X \leq 5.00$: ± 0.12 mm
 $5.00 < X \leq 10.00$: ± 0.14 mm
 $10.00 < X \leq 20.00$: ± 0.18 mm
 $20.00 < X \leq 30.00$: ± 0.24 mm
 unless otherwise noted

Insertion/Withdrawal Force: 1.5-7 kgf
 Aluminum Shell & Plastic Core Disengagement: 8 kgf

DESCRIPTION	MATERIAL	PLATING/COLOR
outer housing	aluminum	gray
inner housing	ABS (UL94HB)	natural



SECTION A-A



REVISION HISTORY

rev.	description	date
1.0	initial release	07/03/2025

The revision history provided is for informational purposes only and is believed to be accurate.



Same Sky offers a one (1) year limited warranty. Complete warranty information is listed on our website.

Same Sky reserves the right to make changes to the product at any time without notice. Information provided by Same Sky is believed to be accurate and reliable. However, no responsibility is assumed by Same Sky for its use, nor for any infringements of patents or other rights of third parties which may result from its use.

Same Sky products are not authorized or warranted for use as critical components in equipment that requires an extremely high level of reliability. A critical component is any component of a life support device or system whose failure to perform can be reasonably expected to cause the failure of the life support device or system, or to affect its safety or effectiveness.

[sameskydevices.com](https://www.sameskydevices.com)