



## Product Change Notice (PCN)

**Date:** 06/25/2026

**PCN Number:** PCN-0485137R-01

To Our Customers:

We appreciate your use of our products. Our commitment in maintaining and improving processes is demonstrated by plans to enhance our product quality, reliability, and manufacturability. The purpose of this notice is to inform you of a product change.

Product(s) Affected: *CPM1202 Series (CPM1202-02A-02-MST-M7-67, CPM1202-03A-02-MST-M7-67, CPM1202-04A-02-MST-M7-67, CPM1202-05A-02-MST-M7-67, CPM1202-05B-02-MST-M7-67, CPM1202-08A-02-MST-M7-67, CPM1202-02A-02-MST-M9-67, CPM1202-03A-02-MST-M9-67, CPM1202-04A-02-MST-M9-67, CPM1202-05A-02-MST-M9-67, CPM1202-05B-02-MST-M9-67, CPM1202-08A-02-MST-M9-67)*

Reason(s) for Change: *Factory Location Change, New Tooling, Manufacturing Process Improvement*

Description of Change:

### *Visual differences*

- Flat surface area on previously marked SW16 is now rounded
- Previously marked SW13 indentation is no longer visible on product
- Surface area on new product is now smooth
- Screw head was previously a Philips and is now a slot head

### *Material differences*

- Male terminals have changed from copper alloy to brass

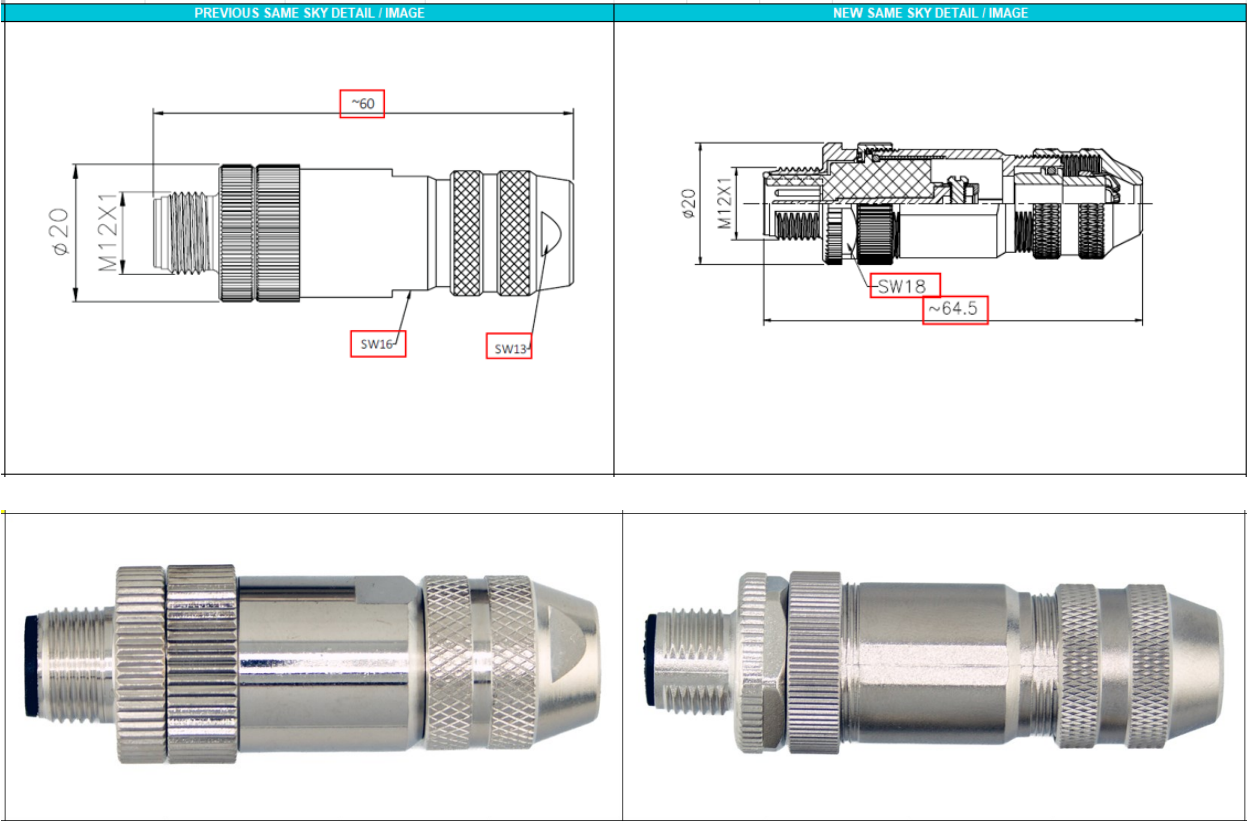
### *Mechanical differences*

- Previous operating temperature -25, new operating temperature -40

F-723-001

Revision: A

Visual differences shown below



DESCRIPTION	MATERIAL	PLATING/COLOR
housing	zinc alloy	nickel
terminals; male	copper alloy	gold
housing; male	PA66 (UL94V-0)	black
nut	zinc alloy	nickel
O-ring	NBR	black

DESCRIPTION	MATERIAL	PLATING/COLOR
housing	zinc alloy	nickel
terminals; male	brass	gold
housing; male	PA66 (UL94V-0)	black
nut	zinc alloy	nickel
O-ring	NBR	black

SPECIFICATIONS					
parameter	conditions/description	min	typ	max	units
rated voltage	2, 3, 4 pole models			250	V
	5 pole models			60	V
	8 pole model			30	V
rated current	2, 3, 4, 5 pole models			4	A
	8 pole model			2	A
withstanding voltage	for 1 minute			2,500	Vac
	2, 3, 4 pole models			1,500	Vac
	5 pole models			800	Vac
	8 pole model				
contact resistance				5	mΩ
insulation resistance	at 500 Vdc for 1 minute	100			MΩ
insertion force	2, 3, 4, 5 pole models			1.0	kgf
	8 pole models			2.3	kgf
withdrawal force	2, 3, 4, 5 pole models			1.5	kgf
	8 pole models			3.0	kgf
operating temperature		-25		80	°C
life			500		cycles
flammability rating	see material table				
RoHS	yes				
IP level	IP67 (in mated condition)				

SPECIFICATIONS					
parameter	conditions/description	min	typ	max	units
rated voltage	2, 3, 4 pole models			250	V
	5 pole models			60	V
	8 pole model			30	V
rated current	2, 3, 4, 5 pole models			4	A
	8 pole model			2	A
withstanding voltage	for 1 minute			2,500	Vac
	2, 3, 4 pole models			1,500	Vac
	5 pole models			800	Vac
	8 pole model				
contact resistance				5	mΩ
insulation resistance	at 500 Vdc for 1 minute	100			MΩ
operating temperature				-40	°C
				80	°C
life			500		cycles
flammability rating	see material table				
RoHS	yes				
IP level	IP67 (in mated condition)				

Affected Date Code: All orders placed after 06/18/2026

PCN Approval:

Operations/Quality



Product Management

