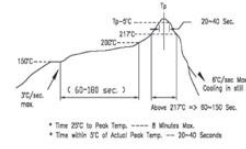
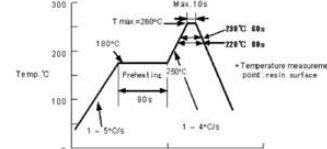
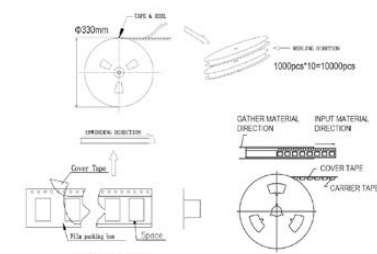
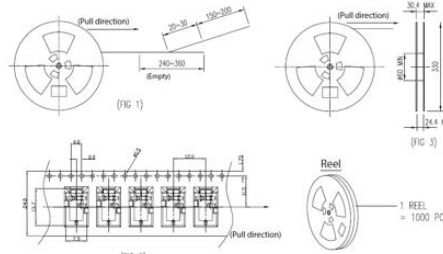


PREVIOUS CUI DETAIL / IMAGE			NEW CUI DEVICES DETAIL / IMAGE		
DESCRIPTION	MATERIAL	PLATING/COLOR	DESCRIPTION	MATERIAL	PLATING/COLOR
terminal 1	phosphorus bronze	silver	terminal 1	copper alloy	silver
terminal 2	phosphorus bronze	silver	terminal 2	copper alloy	silver
terminal 3	phosphorus bronze	silver	terminal 3	copper alloy	silver
terminal 4	phosphorus bronze	silver	terminal 4	copper alloy	silver
housing	PPA (UL94V-0)	black	housing	PA10T (UL94V-0)	black

SPECIFICATIONS					
parameter	conditions/description	min	typ	max	units
rated input voltage			12		Vdc
rated input current			1		A
contact resistance	between terminal and mating plug between terminal in a closed circuit		50 30		mΩ
insulation resistance	at 500 Vdc	100			MΩ
voltage withstand	1 minute		500		Vdc
insertion/withdrawal force		0.3		3	kg
operating temperature		-25		85	°C
life			5,000		cycles
flammability rating	UL94V-0				
RoHS	yes				

SPECIFICATIONS					
parameter	conditions/description	min	typ	max	units
rated input voltage			12		Vdc
rated input current			1		A
contact resistance			30		mΩ
insulation resistance	at 500 Vdc	100			MΩ
voltage withstand	1 minute		500		Vdc
insertion/withdrawal force		0.3		3	kg
operating temperature		-25		80	°C
life			5,000		cycles
RoHS	yes				

PREVIOUS CUI DETAIL / IMAGE					NEW CUI DEVICES DETAIL / IMAGE						
SOLDERABILITY					SOLDERABILITY						
parameter	conditions/description	min	typ	max	units	parameter	conditions/description	min	typ	max	units
reflow storage	10-30°C, <70% humidity				°C	reflow storage	5-35°C, <70% humidity				°C
reflow soldering	see reflow profile	255	280		°C	reflow soldering	see reflow profile			250	°C
drying conditions ¹	parts in reel: bake at 110°C for 4 hours parts removed from reel: bake at 110°C for 4 hours					drying conditions	bake at 120°C for 4 hours				
<p>Note: 1. CUI Devices recommends to solder within 70 hours from opening vacuum packaging at a temperature >90°C @ relative humidity <65%. 2. When assembling Reel 01s by 1000 pieces.</p> 											
PACKAGING					PACKAGING						
units: mm Reel Size: Ø200 mm Reel Qty: 1,000 pcs per reel					units: mm Reel Size: Ø200 mm Reel Qty: 1,000 pcs per reel						
											



Affected Date Code: All orders placed after **05/15/2024**

Product Availability: *Pertaining to market availability*

PCN Approval:

Operations/Quality

A handwritten signature in black ink, appearing to read "Rose Adams", written over a horizontal line.

Product Management

A handwritten signature in black ink, written over a horizontal line. The signature is partially obscured by a light grey rectangular box.