



Product Change Notice (PCN)

Date: 08/02/2024

PCN Number: PCN-0456232R-01

To Our Customers:

We appreciate your use of our products. Our commitment in maintaining and improving processes is demonstrated by plans to enhance our product quality, reliability, and manufacturability. The purpose of this notice is to inform you of a product change.

Product(s) Affected: SJ2-2577X-SMT series. SJ2-25773B-SMT-TR, SJ2-25774A-SMT-TR & SJ2-25774B-SMT-TR

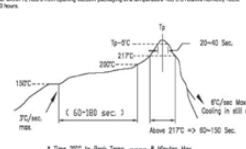
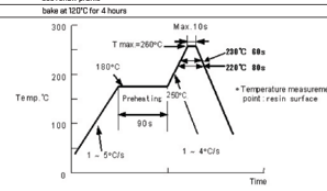
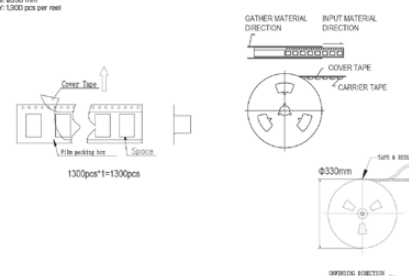
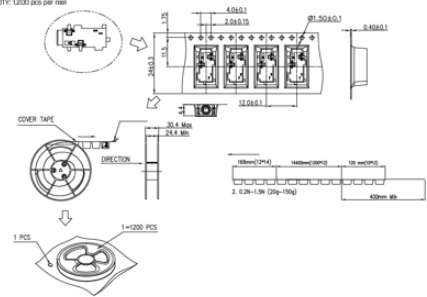
Reason(s) for Change: *Manufacturing Improvement processes*

Description of Change: *New Factory Location. Product re-engineered for improved manufacturability and production yield. See image below for reference and check CUI Devices website for updated drawing. Cosmetic differences may be visible but will not affect the form fit and function of the product.*

PREVIOUS CUI DETAIL / IMAGE					NEW CUI DEVICES DETAIL / IMAGE						
DESCRIPTION	MATERIAL	PLATING/COLOR			DESCRIPTION	MATERIAL	PLATING/COLOR				
terminal 1	brass	silver			terminal 1	C5210R-SH t=0.25	silver over nickel				
terminal 2	brass	silver			terminal 2	C5210R-SH t=0.25	silver over nickel				
terminal 3	brass	silver			terminal 3	C5210R-SH t=0.20	silver over nickel				
terminal 4	brass	silver			terminal 4	C5210R-SH t=0.20	silver over nickel				
terminal 10	brass	silver			terminal 10	C2880-EH t=0.25	silver over nickel				
housing	PA10T (UL94V-0)	black			housing	PA10T (UL94V-0)	black				
SPECIFICATIONS					SPECIFICATIONS						
parameter	conditions/description	min	typ	max	units	parameter	conditions/description	min	typ	max	units
rated input voltage			12		Vdc	rated input voltage			12		Vdc
rated input current				1	A	rated input current				1	A
contact resistance	between terminal and mating plug between terminal in a closed circuit			50 30	mΩ mΩ	contact resistance	between terminal and mating plug between terminal in a closed circuit			50 30	mΩ mΩ
insulation resistance	at 500 Vdc	100			MΩ	insulation resistance	at 500 Vdc	100			MΩ
voltage withstand	for 1 minute			500	Vac	voltage withstand	for 1 minute			500	Vac
insertion/withdrawal force		0.3		3	kg	insertion/withdrawal force		0.6		3	kg
operating temperature		-25		85	°C	operating temperature		-25		85	°C
life			10,000		cycles	life			5,000		cycles
flammability rating	UL94V-0					flammability rating	UL94V-0				
RoHS	yes					RoHS	yes				

F-723-001

Revision: A

PREVIOUS CUI DETAIL / IMAGE	NEW CUI DEVICE'S DETAIL / IMAGE																																																
<p>SOLDERABILITY</p> <table border="1"> <thead> <tr> <th>parameter</th> <th>conditions/description</th> <th>min</th> <th>typ</th> <th>max</th> <th>units</th> </tr> </thead> <tbody> <tr> <td>reflow storage</td> <td>10-30°C, <70% humidity</td> <td></td> <td></td> <td></td> <td>°C</td> </tr> <tr> <td>reflow soldering</td> <td>see reflow profile</td> <td>250</td> <td>260</td> <td></td> <td>°C</td> </tr> <tr> <td>drying conditions¹</td> <td>parts in reel bake at 120°C for 4 hours parts removed from reel: bake at 120°C for 4 hours</td> <td></td> <td></td> <td></td> <td></td> </tr> </tbody> </table> <p>Note: 1. CUI Devices recommends to solder within 72 hours from opening vacuum packaging at a temperature <math>100^{\circ}\text{C}</math> relative humidity <math>65\%</math>. 2. When exceeding four hrs by <math>100^{\circ}\text{C}</math> hours.</p>  <p>* Time 20°C to Peak Temp. ----- 8 Minutes Max. * Time within 2°C of Actual Peak Temp. --- 20-40 Seconds</p>	parameter	conditions/description	min	typ	max	units	reflow storage	10-30°C, <70% humidity				°C	reflow soldering	see reflow profile	250	260		°C	drying conditions ¹	parts in reel bake at 120°C for 4 hours parts removed from reel: bake at 120°C for 4 hours					<p>SOLDERABILITY</p> <table border="1"> <thead> <tr> <th>parameter</th> <th>conditions/description</th> <th>min</th> <th>typ</th> <th>max</th> <th>units</th> </tr> </thead> <tbody> <tr> <td>reflow storage</td> <td>5-30°C, <70% humidity</td> <td></td> <td></td> <td></td> <td>°C</td> </tr> <tr> <td>reflow soldering</td> <td>see reflow profile</td> <td></td> <td></td> <td>280</td> <td>°C</td> </tr> <tr> <td>drying conditions</td> <td>bake at 120°C for 4 hours</td> <td></td> <td></td> <td></td> <td></td> </tr> </tbody> </table>  <p>* Temperature measurement point: resin surface</p>	parameter	conditions/description	min	typ	max	units	reflow storage	5-30°C, <70% humidity				°C	reflow soldering	see reflow profile			280	°C	drying conditions	bake at 120°C for 4 hours				
parameter	conditions/description	min	typ	max	units																																												
reflow storage	10-30°C, <70% humidity				°C																																												
reflow soldering	see reflow profile	250	260		°C																																												
drying conditions ¹	parts in reel bake at 120°C for 4 hours parts removed from reel: bake at 120°C for 4 hours																																																
parameter	conditions/description	min	typ	max	units																																												
reflow storage	5-30°C, <70% humidity				°C																																												
reflow soldering	see reflow profile			280	°C																																												
drying conditions	bake at 120°C for 4 hours																																																
<p>PACKAGING</p> <p>units: mm Reel Size: Ø330 mm Reel QTY: 1300 pcs per reel</p>  <p>1300pcs*1=1300pcs</p> <p>IMPRINTING DIRECTION</p>	<p>PACKAGING</p> <p>units: mm Reel Size: Ø330 mm Reel QTY: 1300 pcs per reel</p>  <p>1=1000 PCS</p>																																																

Affected Date Code: All orders placed after **10/01/2024** will be in accordance with the PCN. All order placed before this date will be in accordance with the current published datasheet.

Product Availability: *Pertaining to market availability*

PCN Approval:

Operations/Quality



Product Management

