

## Product Change Notice (PCN)

Date: 04/09/2026

PCN Number: PCN-0455151R-01

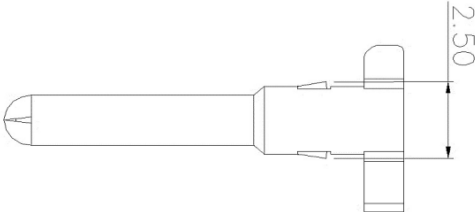
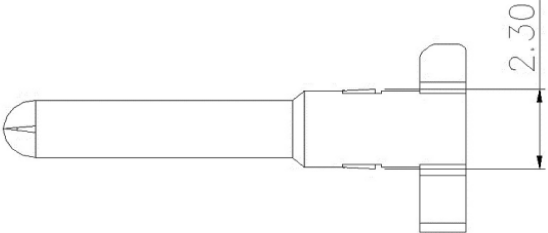
To Our Customers:

We appreciate your use of our products. Our commitment in maintaining and improving processes is demonstrated by plans to enhance our product quality, reliability, and manufacturability. The purpose of this notice is to inform you of a product change.

Product(s) Affected: PJ1-021-SMT-TR

Reason(s) for Change: *Manufacturing improvements*

Description of Change: *Center Pin Adjustment. Adjust the latch height of the center pin amended as shown in the detail image below. Please note this is an internal change that is not marked in the product drawing.*

PREVIOUS DETAIL / IMAGE	NEW DETAIL / IMAGE
	

Affected Date Code: 03/30/2026

PCN Approval:

Operations/Quality



Product Management

