

Product Change Notice (PCN)

Date: **06/07/2024**

PCN Number: **PCN-0455127R-01**

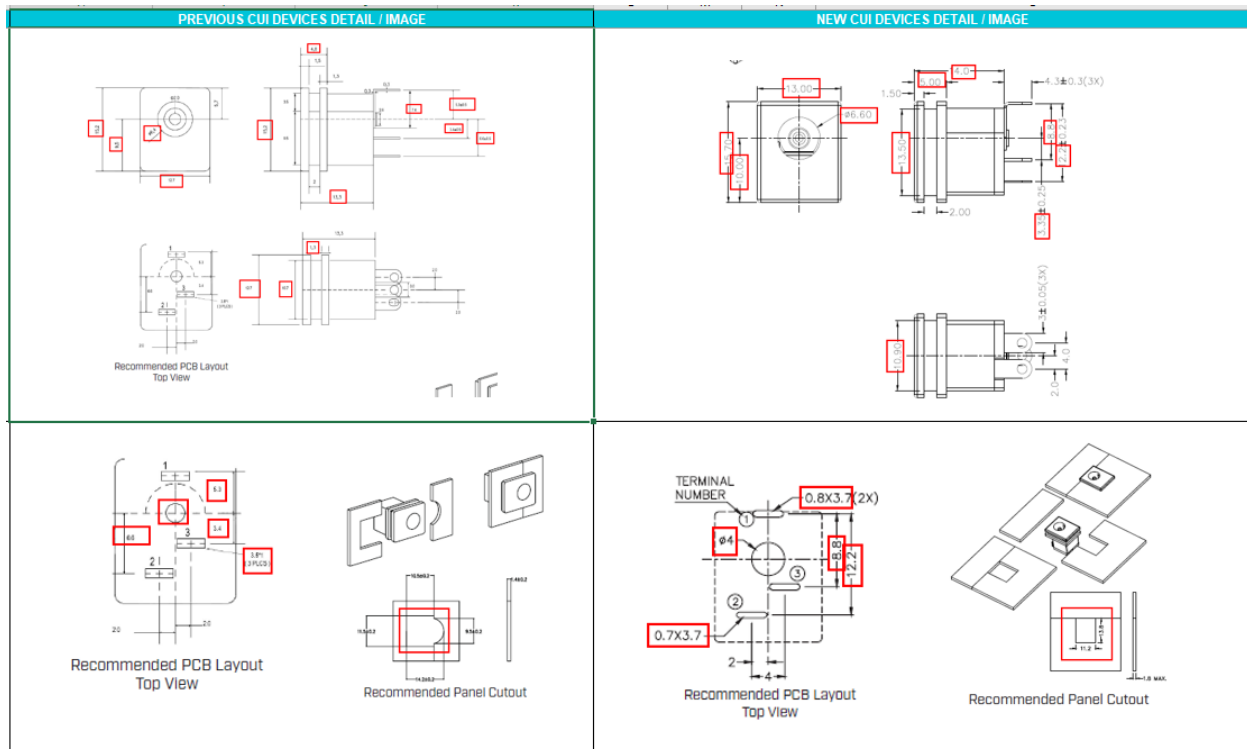
To Our Customers:

We appreciate your use of our products. Our commitment in maintaining and improving processes is demonstrated by plans to enhance our product quality, reliability, and manufacturability. The purpose of this notice is to inform you of a product change.

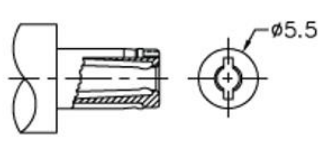
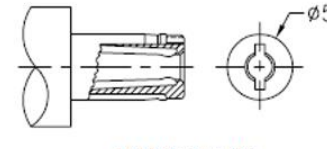
Product(s) Affected: *PJ-009A*

Reason(s) for Change: *Manufacturing Improvement processes*

Description of Change: *Product re-engineered for improved manufacturability and production yield. See image below for product changes and refer to the updated drawing online. Cosmetic differences may be visible and not affect the form fit and function of the product.*



PREVIOUS CUI DEVICES DETAIL / IMAGE			NEW CUI DEVICES DETAIL / IMAGE		
DESCRIPTION	MATERIAL	PLATING/COLOR	DESCRIPTION	MATERIAL	PLATING/COLOR
center pin	brass	nickel	center pin	brass	nickel
terminal 1	brass	silver	terminal 1	brass	silver over nickel
terminal 2	copper alloy	silver	terminal 2	copper alloy	silver over nickel
terminal 3	brass	silver	terminal 3	brass	silver over nickel
housing	PBT (UL94V-0)	black	housing	PBT (UL94V-0)	black

 <p>MATING PLUG Jack Insertion Depth: 9.5 mm</p>	 <p>MATING PLUG Jack Insertion Depth: 9.6 mm</p>
---	--

PREVIOUS CUI DEVICES DETAIL / IMAGE					NEW CUI DEVICES DETAIL / IMAGE						
SPECIFICATIONS					SPECIFICATIONS						
parameter	conditions/description	min	typ	max	units	parameter	conditions/description	min	typ	max	units
rated input voltage			24		Vdc	rated input voltage			24		Vdc
rated input current				2.5	A	rated input current				2.5	A
contact resistance	between terminal and mating plug between terminal in a closed circuit			50 30	mΩ	contact resistance	between terminal and mating plug between terminal in a closed circuit			50 30	mΩ
insulation resistance	at 500 Vdc	100			MΩ	insulation resistance	at 500 Vdc	100			MΩ
voltage withstand	for 1 minute			500	Vac	voltage withstand	for 1 minute			500	Vac
insertion/withdrawal force		0.5	2		kg	insertion/withdrawal force		0.3	3		kg
operating temperature		-25		85	°C	operating temperature		-25		85	°C
life			5,000		cycles	life			5,000		cycles
flammability rating	UL94V-0					flammability rating	UL94V-0				
RoHS	yes					RoHS	yes				



Affected Date Code: All orders placed after **04/10/2024**

Product Availability: *Pertaining to market availability*

PCN Approval:

Operations/Quality

A handwritten signature in black ink, appearing to read "Robert Davis", is written over a horizontal line.

Product Management

A handwritten signature in black ink is written over a horizontal line.