

Product Change Notice (PCN)

Date: July 10th, 2025

PCN Number: PCN-0454720R-01

To Our Customers:

We appreciate your use of our products. Our commitment in maintaining and improving processes is demonstrated by plans to enhance our product quality, reliability, and manufacturability. The purpose of this notice is to inform you of a product change.

Product(s) Affected: *UJ2-AH-1-SMT-TR, UJ2-AH-4-SMT-TR*

Reason(s) for Change: *Manufacturing Improvement Processes*

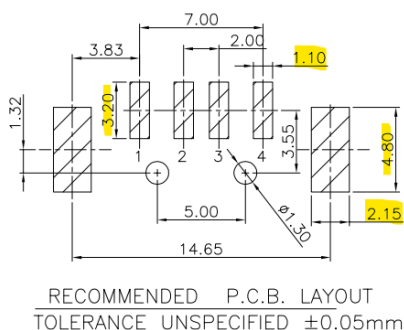
Description of Change: *New Factory Location. Product optimized for improved production yield. Minor housing and suggested footprint differences. Product still meets mechanical envelope. Reel size increased from 300 to 500 pcs. Changes in measurements listed.*

Affected Date Code: 2528

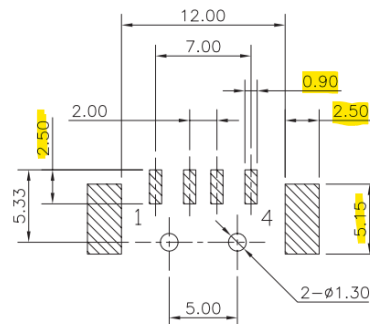
Product Availability: *Immediately Available*

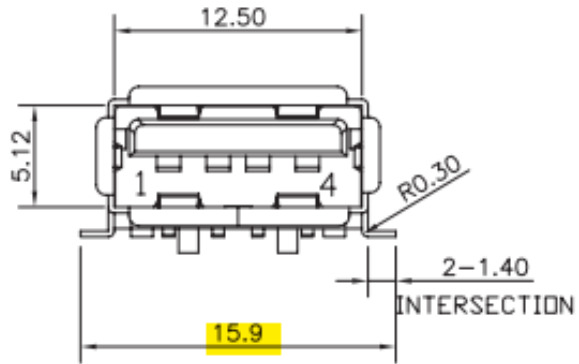
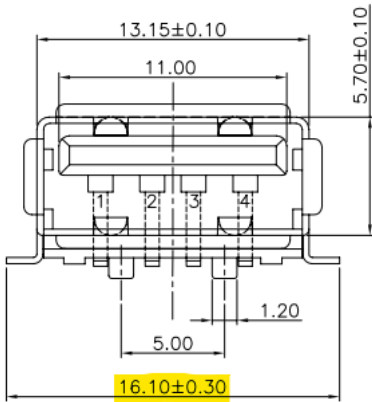
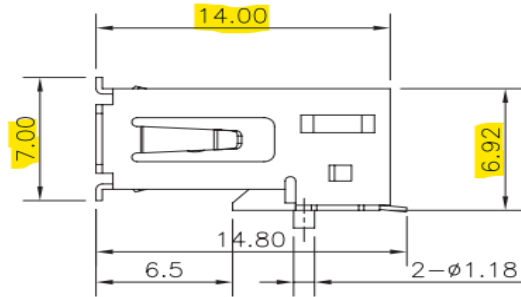
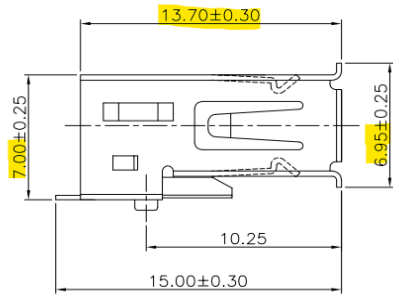
Additional Information:

New



Old





PCN Approval:

Operations/Quality

Robert D. ...

Product Management

Meredith ...