

Product Change Notice (PCN)

Date: **05/29/2026**

PCN Number: **PCN-0451532R-01**

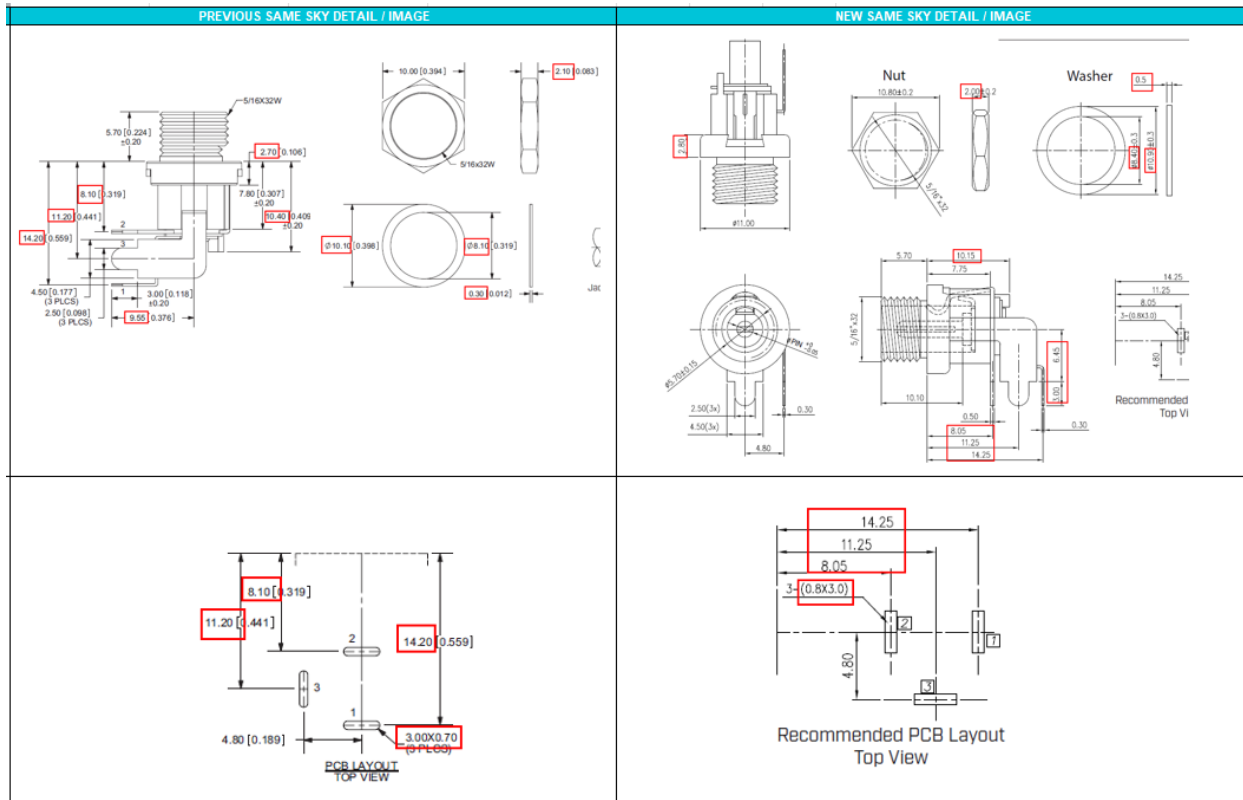
To Our Customers:

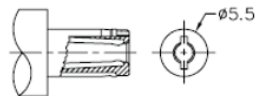
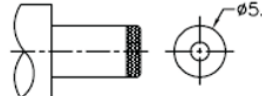
We appreciate your use of our products. Our commitment in maintaining and improving processes is demonstrated by plans to enhance our product quality, reliability, and manufacturability. The purpose of this notice is to inform you of a product change.

Product(s) Affected: **PJ-066A & PJ-066B**

Reason(s) for Change: **Factory Location Change.**

Description of Change: **Mechanical, material and electrical differences as shown in the detail image below.**



 <p>MATING PLUG Jack Insertion Depth: 8.4mm</p>	 <p>MATING PLUG Jack Insertion Depth: 10.1 mm</p>																																																												
<table border="1"> <thead> <tr> <th></th> <th>MATERIAL</th> <th>PLATING</th> </tr> </thead> <tbody> <tr> <td>center pin</td> <td>brass</td> <td>nickel</td> </tr> <tr> <td>terminal 1</td> <td>brass</td> <td>silver</td> </tr> <tr> <td>terminal 2</td> <td>phosphor bronze</td> <td>silver</td> </tr> <tr> <td>terminal 3</td> <td>brass</td> <td>silver</td> </tr> <tr> <td>bushing</td> <td>brass</td> <td>nickel</td> </tr> <tr> <td>insulator</td> <td>red vulcanite fiber</td> <td></td> </tr> <tr> <td>plastic</td> <td>PBT</td> <td></td> </tr> <tr> <td>nut</td> <td>brass</td> <td>nickel</td> </tr> <tr> <td>washer</td> <td>steel</td> <td>nickel</td> </tr> </tbody> </table>		MATERIAL	PLATING	center pin	brass	nickel	terminal 1	brass	silver	terminal 2	phosphor bronze	silver	terminal 3	brass	silver	bushing	brass	nickel	insulator	red vulcanite fiber		plastic	PBT		nut	brass	nickel	washer	steel	nickel	<table border="1"> <thead> <tr> <th>DESCRIPTION</th> <th>MATERIAL</th> <th>PLATING/COLOR</th> </tr> </thead> <tbody> <tr> <td>center pin</td> <td>brass</td> <td>10 μ* min CuSn</td> </tr> <tr> <td>terminal 1</td> <td>brass</td> <td>8 μ* min silver</td> </tr> <tr> <td>terminal 2</td> <td>phosphor bronze</td> <td>8 μ* min silver</td> </tr> <tr> <td>terminal 3</td> <td>phosphor bronze</td> <td>8 μ* min silver</td> </tr> <tr> <td>bushing</td> <td>brass</td> <td>10 μ* min CuSn</td> </tr> <tr> <td>washer 1</td> <td>bakelite</td> <td>---</td> </tr> <tr> <td>housing</td> <td>PBT (UL94V-0)</td> <td>black</td> </tr> <tr> <td>nut</td> <td>brass</td> <td>40 μ* min nickel</td> </tr> <tr> <td>washer 2</td> <td>brass</td> <td>40 μ* min nickel</td> </tr> </tbody> </table>	DESCRIPTION	MATERIAL	PLATING/COLOR	center pin	brass	10 μ* min CuSn	terminal 1	brass	8 μ* min silver	terminal 2	phosphor bronze	8 μ* min silver	terminal 3	phosphor bronze	8 μ* min silver	bushing	brass	10 μ* min CuSn	washer 1	bakelite	---	housing	PBT (UL94V-0)	black	nut	brass	40 μ* min nickel	washer 2	brass	40 μ* min nickel
	MATERIAL	PLATING																																																											
center pin	brass	nickel																																																											
terminal 1	brass	silver																																																											
terminal 2	phosphor bronze	silver																																																											
terminal 3	brass	silver																																																											
bushing	brass	nickel																																																											
insulator	red vulcanite fiber																																																												
plastic	PBT																																																												
nut	brass	nickel																																																											
washer	steel	nickel																																																											
DESCRIPTION	MATERIAL	PLATING/COLOR																																																											
center pin	brass	10 μ* min CuSn																																																											
terminal 1	brass	8 μ* min silver																																																											
terminal 2	phosphor bronze	8 μ* min silver																																																											
terminal 3	phosphor bronze	8 μ* min silver																																																											
bushing	brass	10 μ* min CuSn																																																											
washer 1	bakelite	---																																																											
housing	PBT (UL94V-0)	black																																																											
nut	brass	40 μ* min nickel																																																											
washer 2	brass	40 μ* min nickel																																																											

Affected Date Code: All orders placed after **05/26/2026**

PCN Approval:

Operations/Quality

Roe Adrian

Product Management

[Signature]