

## Product Change Notice (PCN)

**Date:** 11/7/2019

**PCN Number:** PCN-0451318R-01

### To Our Customers:

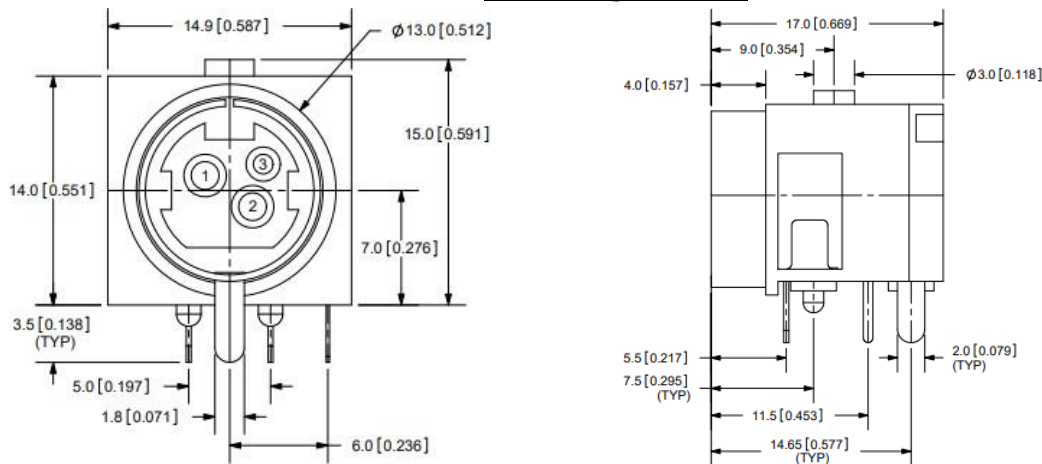
We appreciate your use of CUI Devices products. Our commitment in maintaining and improving processes is demonstrated by plans to enhance our product quality, reliability and manufacturability. The purpose of this notice is to inform you of a product change.

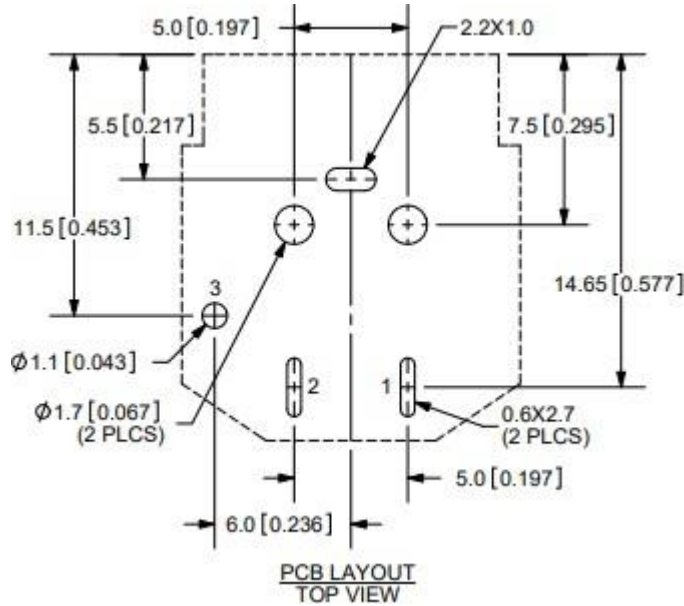
**Product(s) Affected:** PD-30 and PD-40

**Reason(s) for Change:** Manufacturing build location change

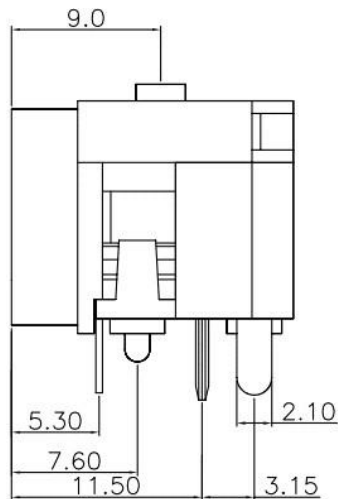
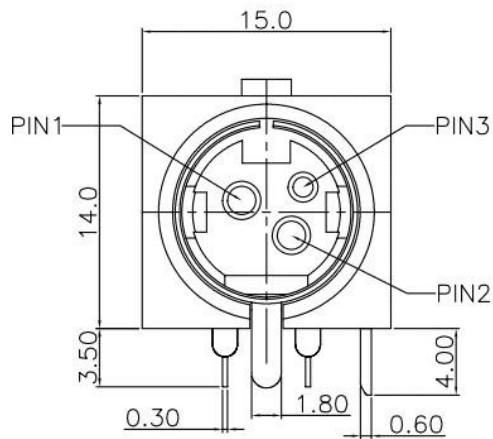
**Description of Change:** Housing and PCB layout changes as shown below.

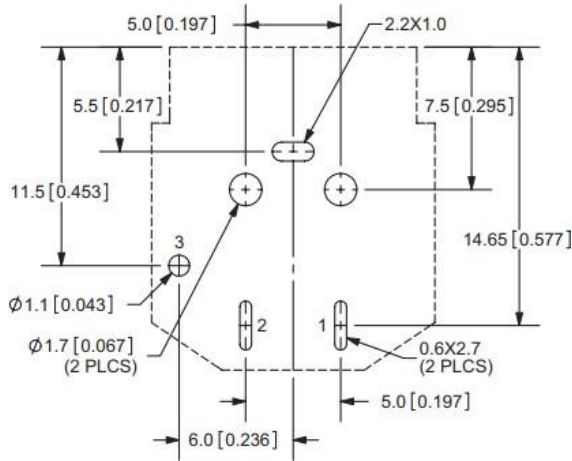
### Old Design PD-30



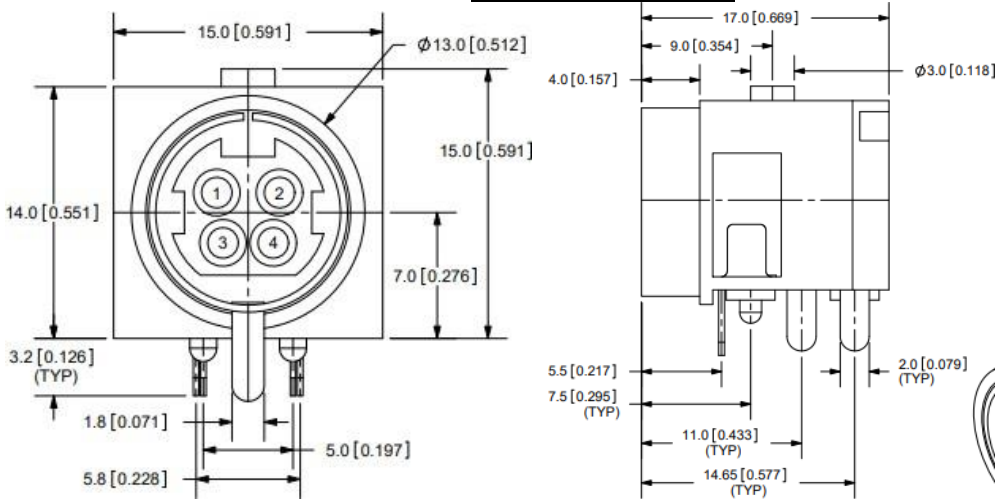


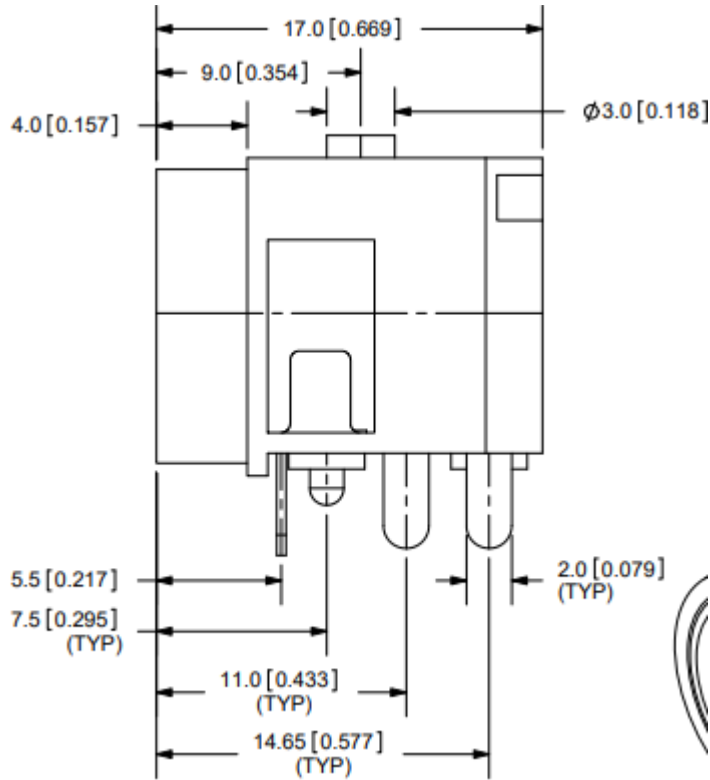
## **New Design PD-30**



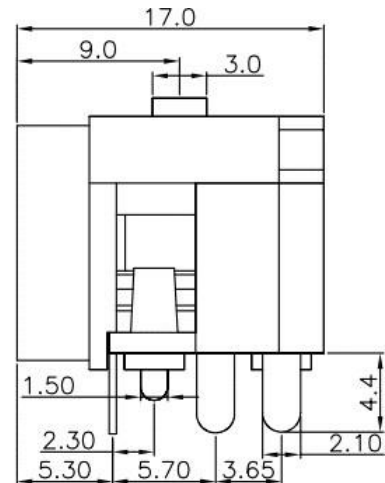
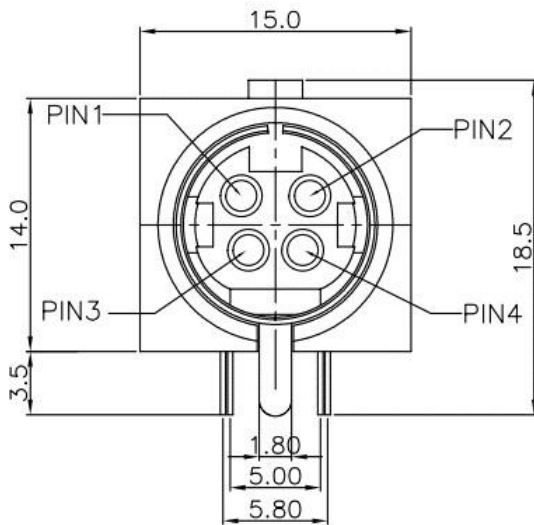


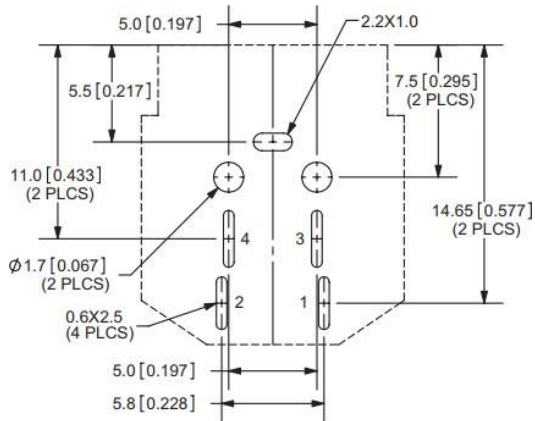
### Old Design PD-40





**New Design PD-40**





Recommended PCB Layout  
Top View

**Old materials (PD-30)**

	MATERIAL	PLATING
TERMINAL 1	Phosphor Bronze	Tin
TERMINALS 2-3	Brass	Tin
EARTH TERMINAL	Brass	Tin
HOUSING	PBT	

**New materials (PD-30)**

	MATERIAL	PLATING
housing	PBT (UL94V-0)	
contact	phoshor bronze	silver
ground	brass	nickel
shell	SPCC	tin

**Old materials (PD-40)**

	MATERIAL	PLATING
TERMINALS 1-4	Brass	Tin
EARTH TERMINAL	Brass	Tin
HOUSING	PBT	

**New materials (PD-40)**

# CUI DEVICES

20050 SW 112<sup>th</sup> Ave. Tualatin, Oregon 97062  
phone: 800.275.4899 fax: 503.612.2383  
www.cuidevices.com

	MATERIAL	PLATING
housing	PBT (UL94V-0)	
contact	phoshor bronze	silver
ground	brass	nickel
shell	SPCC	tin

**Affected Date Code:** 11/7/2019

**Product Availability:** currently available

**Additional Information:** none

PCN Approval:

Operations/Quality



Product Marketing

