

## Product Change Notice (PCN)

**Date:** 04/16/2026

**PCN Number:** PCN-0450714R-01


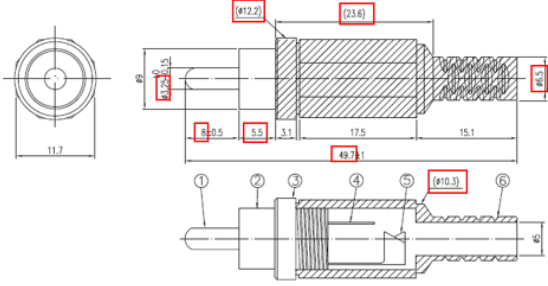
To Our Customers:

We appreciate your use of our products. Our commitment in maintaining and improving processes is demonstrated by plans to enhance our product quality, reliability, and manufacturability. The purpose of this notice is to inform you of a product change.

Product(s) Affected: RCP-02X Series (RCP-021 & RCP-022)

Reason(s) for Change: *Factory Location Change.*

Description of Change: *Mechanical, material, and electrical differences as shown in the image below.*

PREVIOUS SAME SKY DETAIL / IMAGE	NEW SAME SKY DETAIL / IMAGE																																								
																																									
<table border="1"> <thead> <tr> <th></th> <th>MATERIAL</th> <th>PLATING</th> </tr> </thead> <tbody> <tr> <td>barrel</td> <td>brass</td> <td>nickel</td> </tr> <tr> <td>cover</td> <td>PE</td> <td>color</td> </tr> <tr> <td>barrel housing</td> <td>ABS</td> <td>color</td> </tr> </tbody> </table>		MATERIAL	PLATING	barrel	brass	nickel	cover	PE	color	barrel housing	ABS	color	<table border="1"> <thead> <tr> <th>ITEM</th> <th>DESCRIPTION</th> <th>MATERIAL</th> <th>PLATING/COLOR</th> </tr> </thead> <tbody> <tr> <td>1</td> <td>center pin</td> <td>brass C3601</td> <td>nickel</td> </tr> <tr> <td>2</td> <td>outer sleeve</td> <td>brass C2680</td> <td>nickel</td> </tr> <tr> <td>3</td> <td>insulator</td> <td>ABS [UL94HB]</td> <td>see color code</td> </tr> <tr> <td>4</td> <td>center pin solder terminal</td> <td>brass C2680</td> <td>nickel</td> </tr> <tr> <td>5</td> <td>clamp</td> <td>brass C2680</td> <td>nickel</td> </tr> <tr> <td>6</td> <td>cover</td> <td>PE</td> <td>see color code</td> </tr> </tbody> </table>	ITEM	DESCRIPTION	MATERIAL	PLATING/COLOR	1	center pin	brass C3601	nickel	2	outer sleeve	brass C2680	nickel	3	insulator	ABS [UL94HB]	see color code	4	center pin solder terminal	brass C2680	nickel	5	clamp	brass C2680	nickel	6	cover	PE	see color code
	MATERIAL	PLATING																																							
barrel	brass	nickel																																							
cover	PE	color																																							
barrel housing	ABS	color																																							
ITEM	DESCRIPTION	MATERIAL	PLATING/COLOR																																						
1	center pin	brass C3601	nickel																																						
2	outer sleeve	brass C2680	nickel																																						
3	insulator	ABS [UL94HB]	see color code																																						
4	center pin solder terminal	brass C2680	nickel																																						
5	clamp	brass C2680	nickel																																						
6	cover	PE	see color code																																						

SPECIFICATIONS				
parameter	conditions/description	min	typ	max units
contact resistance				50 mΩ
insulation resistance	at 500 Vdc	100		50 MΩ
voltage withstand	for 1 minute		500	Vac
operating temperature		-20	85	°C
life			5,000	cycles
Flammability	UL94HB			
RoHS	yes			

SPECIFICATIONS				
parameter	conditions/description	min	typ	max units
contact resistance				50 mΩ
insulation resistance	at 500 Vdc	100		50 MΩ
voltage withstand	for 1 minute		500	Vac
operating temperature		-25	70	°C
life			5,000	cycles
Flammability	see material table			
RoHS	yes			

Affected Date Code: **All orders placed after 04/15/2026**

PCN Approval:

Operations/Quality



Product Management

