

Product Change Notice (PCN)

Date: 10/27/2023

PCN Number: PCN-0450586R-01

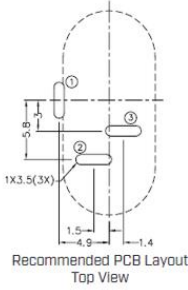
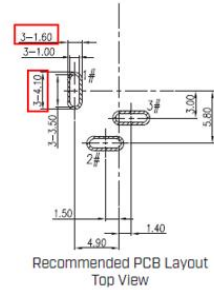
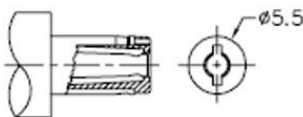
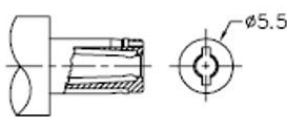
To Our Customers:

We appreciate your use of our products. Our commitment in maintaining and improving processes is demonstrated by plans to enhance our product quality, reliability, and manufacturability. The purpose of this notice is to inform you of a product change.

Product(s) Affected: *PJ-010A & PJ-010AH*

Reason(s) for Change: *Manufacturing Improvement processes*

Description of Change: *Drawing update. See image Below*

PREVIOUS CUI DEVICES DETAIL / IMAGE	NEW CUI DEVICES DETAIL / IMAGE
 <p>Recommended PCB Layout Top View</p>	 <p>Recommended PCB Layout Top View</p>
 <p>MATING PLUG Jack Insertion Depth: 7.3 mm</p>	 <p>MATING PLUG Jack Insertion Depth: 7.7 mm</p>



Affected Date Code: **10/01/2023**

Product Availability: *Pertaining to market availability*

PCN Approval:

Operations/Quality

A handwritten signature in black ink, appearing to read "Robert Garcia", is written over a horizontal line.

Product Management

A handwritten signature in black ink is written over a horizontal line. The signature is partially obscured by a light gray rectangular box.