



Product Change Notice (PCN)

Date: 2/23/2023

PCN Number: PCN-0450542R-01

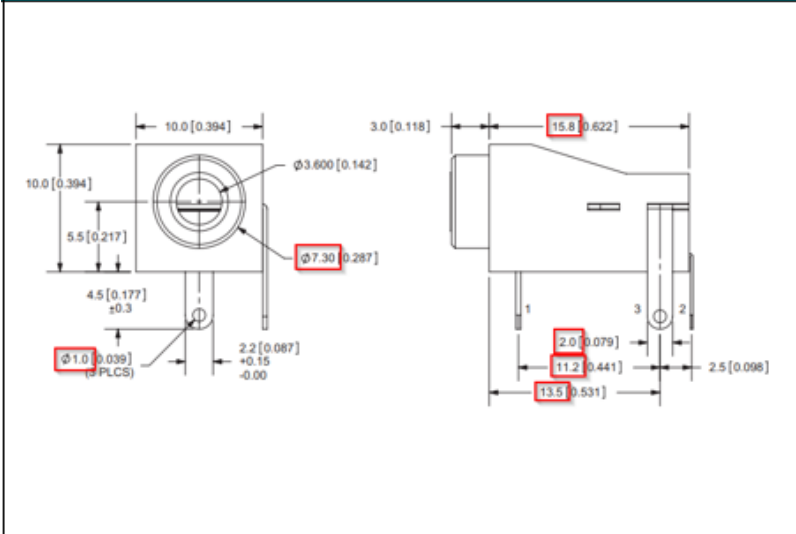
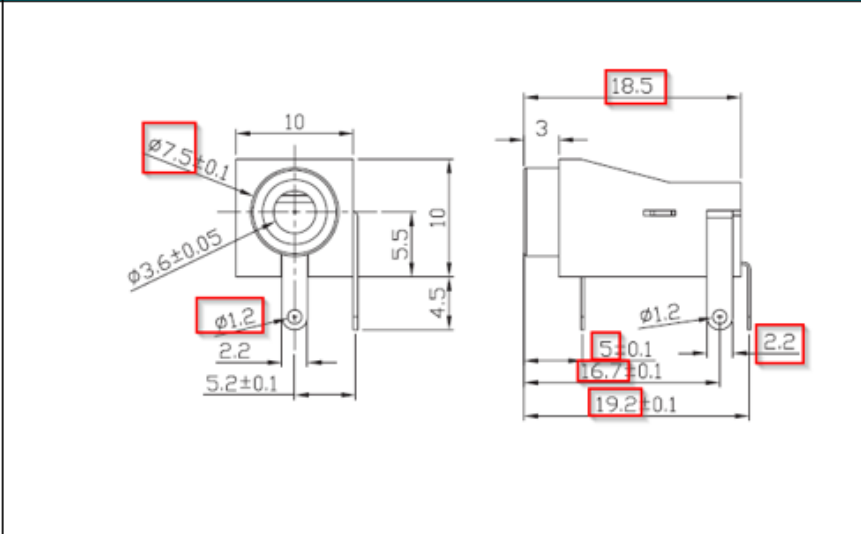
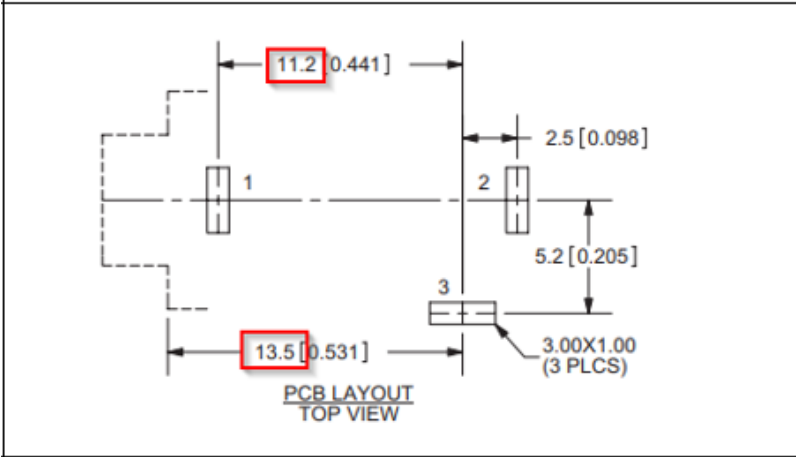
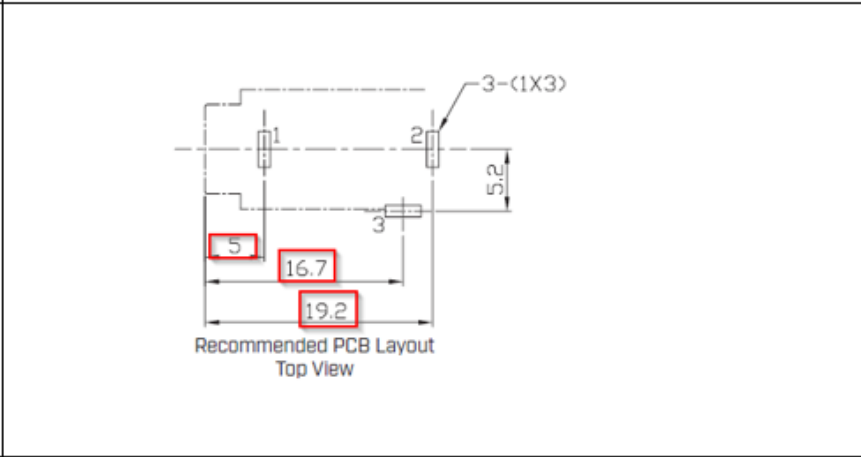
To Our Customers:

We appreciate your use of our products. Our commitment in maintaining and improving processes is demonstrated by plans to enhance our product quality, reliability, and manufacturability. The purpose of this notice is to inform you of a product change.

Product(s) Affected: MJ-3536NG

Reason(s) for Change: *Manufacturing process improvements*

Description of Change: mechanical, material, electrical, and soldering differences as shown below:

PREVIOUS CUI DEVICES DETAIL / IMAGE	NEW CUI DEVICES DETAIL / IMAGE
	
 <p style="text-align: center;">PCB LAYOUT TOP VIEW</p>	 <p style="text-align: center;">Recommended PCB Layout Top View</p>

F-723-001

Revision: A

	MATERIAL	PLATING
terminal 1	brass	tin
terminal 2	copper alloy	tin
terminal 3	brass	tin
plastic	PBT	

DESCRIPTION	MATERIAL	PLATING/COLOR
terminal 1	brass t=0.30	copper-tin
terminal 2	phosphor bronze t=0.20	copper-tin
terminal 3	brass t=0.40	copper-tin
housing	PA (UL94V-0)	black

SPECIFICATIONS						
parameter	conditions/description	min	typ	max	units	
rated input voltage			12		Vdc	
rated input current				1	A	
contact resistance	between terminal and mating plug between terminal in a closed circuit ¹			50 30	mΩ mΩ	
insulation resistance	at 500 Vdc	100			MΩ	
voltage withstand	at 50/60Hz for 1 minute			500	Vac	
insertion/withdrawal force		0.3		3	kg	
terminal strength	any direction for 10 seconds			500	g	
operating temperature		-25		85	°C	
life			5,000		cycles	
RoHS	yes					
Notes: 1. When measured at a current of less than 100 mA / 1 kHz						
SOLDERABILITY						
parameter	conditions/description	min	typ	max	units	
wave soldering	dipped in solder pot for 10 seconds max	255	260	265	°C	

SPECIFICATIONS						
parameter	conditions/description	min	typ	max	units	
rated input voltage			12		Vdc	
rated input current				1	A	
contact resistance				30	mΩ	
insulation resistance	at 500 Vdc	100			MΩ	
voltage withstand	for 1 minute			500	Vac	
insertion/withdrawal force		0.3		3	kg	
operating temperature		-40		85	°C	
storage temperature		-10		50	°C	
life			5,000		cycles	
RoHS	yes					
SOLDERABILITY						
parameter	conditions/description	min	typ	max	units	
wave soldering	dipped in solder pot for 10 seconds max		260	265	°C	

Affected Date Code: 2/23/23

Product Availability: Channel Availability Q2

Additional Information:

F-723-001

Revision: A



PCN Approval:

Operations/Quality

Robert Adams

Product Management

RH
