

## Product Change Notice (PCN)

**Date:** 01/21/2020

**PCN Number:** PCN-0450335R-01

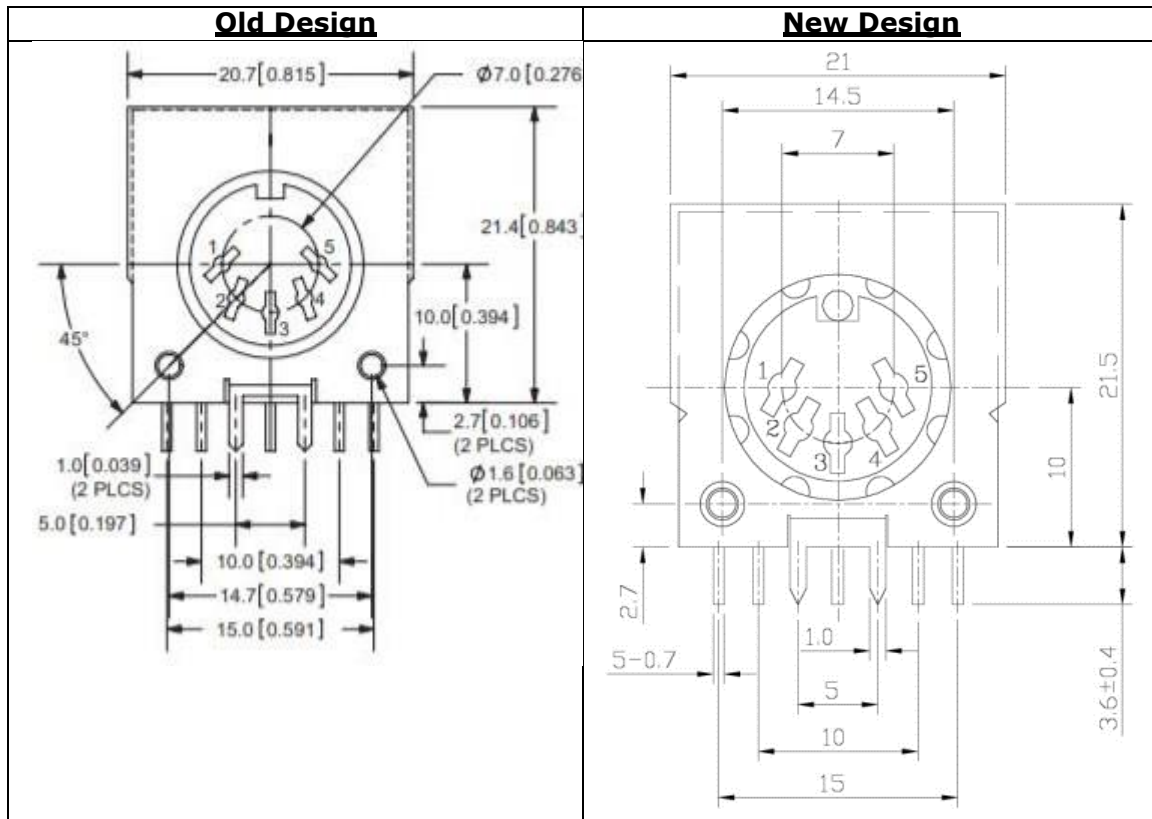
### To Our Customers:

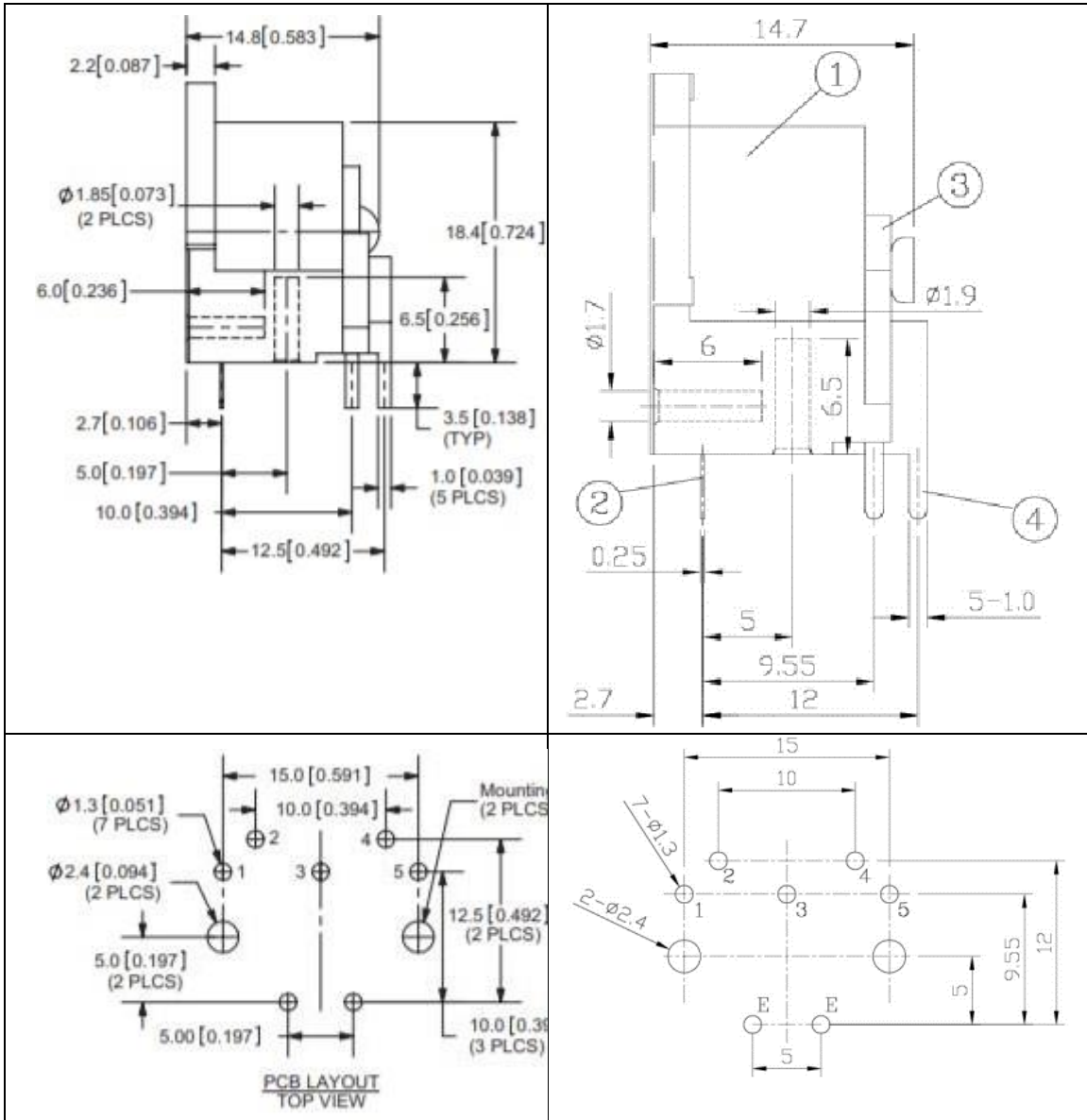
We appreciate your use of CUI Devices products. Our commitment in maintaining and improving processes is demonstrated by plans to enhance our product quality, reliability and manufacturability. The purpose of this notice is to inform you of a product change.

**Product(s) Affected:** SDF-50J

**Reason(s) for Change:** Manufacturing build location change

**Description of Change:** Minor dimension changes and material changes as shown below





**Old design materials**

	MATERIAL	PLATING
shield terminal (30~80)	brass	nickel
shield terminal (130)	phosphor bronze	tin
contact terminals (30~80)	brass	tin
contact terminals (130)	phosphor bronze	silver
plate (30~60)	bakelite	
plate (70, 80, 130)	N/A	
plastic	PBT	

### **New design materials**

	MATERIAL	PLATING
1 housing	PBT 4815 UL94V-0	black
2 shielded terminal	copper alloy	copper/tin
3 insulation board	PE	
4 terminal	copper alloy	silver

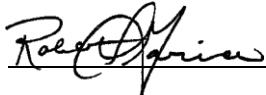
**Affected Date Code:** 1/1/2020

**Product Availability:** currently available

**Additional Information:** none

PCN Approval:

Operations/Quality



Product Marketing

