

## Product Change Notice (PCN)

Date: 04/02/2026

PCN Number: PCN-0400730R-01

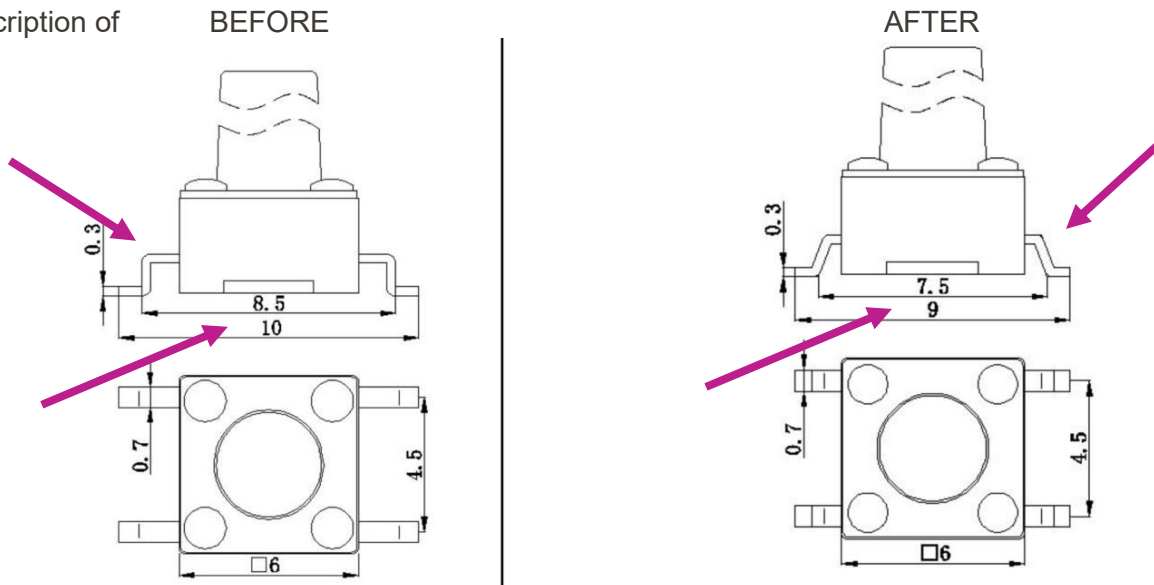
To Our Customers:

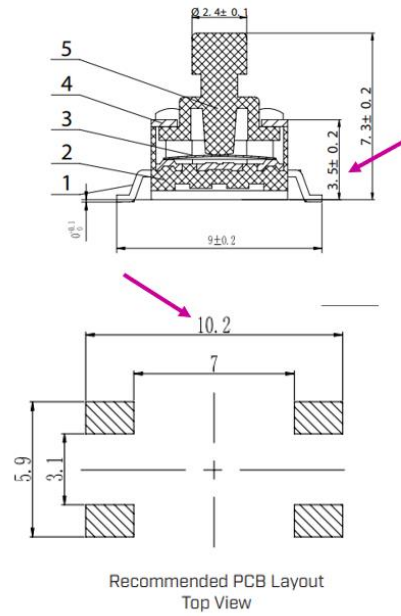
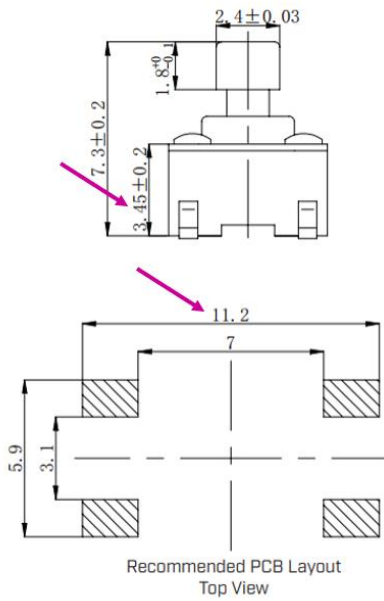
We appreciate your use of our products. Our commitment in maintaining and improving processes is demonstrated by plans to enhance our product quality, reliability, and manufacturability. The purpose of this notice is to inform you of a product change.

Product(s) Affected: *TS04 Series*

Reason(s) for Change: *To optimize the solder terminal Dimensions, making the formed terminal pins more resistant to deformation and increasing soldering strength. The original PCB pads remain unchanged and are universally compatible.*

Description of





Affected Date Code: *First manufacturing date code of new design*

Product Availability: *4/1/2026*

Additional Information:

PCN Approval:

Operations/Quality

*Roe Davis*

Product Management

*M. D. [Signature]*