

Product Change Notice (PCN)

Date: 05/14/2026

PCN Number: PCN-0370535R-01

To Our Customers:

We appreciate your use of our products. Our commitment in maintaining and improving processes is demonstrated by plans to enhance our product quality, reliability, and manufacturability. The purpose of this notice is to inform you of a product change.

Product(s) Affected: *CMT-0525-75-SMT-TR*

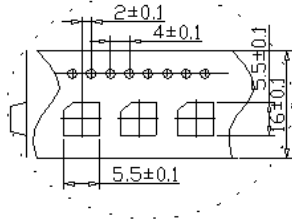
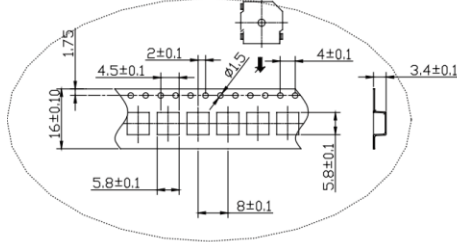
Reason(s) for Change: *Upgraded reel machine.*

Description of Change: *Buzzer shifted 90 degrees in the tape. See drawing below for tape update.*

Affected Date Code: *2612*

Product Availability: *All goods produced on or after the date code 2612*

Additional Information:

<i>Previous Orientation</i>	<i>Current Orientation</i>
	

PCN Approval:

Operations/Quality



Product Management

